

DRAWING MADE IN THIRD ANGLE PROJECTION

3

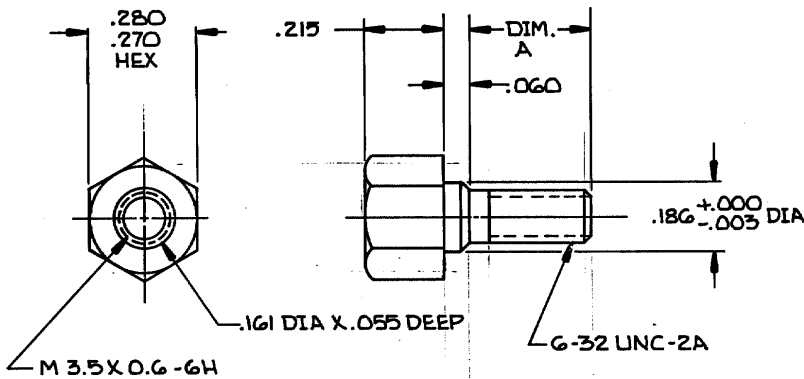
2

1 LOC AA DIST 20

THIS DRAWING IS UNPUBLISHED. RELEASED FOR PUBLICATION

© COPYRIGHT

REVISIONS						
P	F	ZONE	LTR	DESCRIPTION	DATE	APPROVED
✓		A1		REVISED PER ECO-11-005294	12APR11	HMR



1. ALL DIMENSIONS SHOWN ARE MAXIMUM UNLESS OTHERWISE SPECIFIED.
2. MATERIAL: BLACK OXIDE COATED CARBON STEEL.
3. PARTS COATED WITH AMP APPROVED CORROSION PREVENTATIVE.
4. PACKAGED 10,000 PER BOX.
5. PACKAGED 500 STANDOFFS PER BAG.

5	.320	554043-3
4	.205	554043-2
	.320	554043-1
PACKAGED	DIM. A	PART NO

UNLESS OTHERWISE SPECIFIED DIMENSIONS ARE IN INCHES. TOLERANCES ON: DECIMALS ± .005 ANGLES ± .005	CONTRACT NO	TE Connectivity NAME STANDOFF, MOUNTING STUD, HEX HEAD, CHAMP®	
	DR: <i>DB</i> 5-17-88 CHK: <i>CR</i> 6/3/88 MATERIAL: <i>CR</i> 6/3/88 APPD: <i>CR</i> 6/3/88 ORGN APPD OTHER APPD		
MATERIAL: 2		DRAWING NO: 554043	
FINISH: 2		SCALE: 4:1	SHEET 1 OF 1

CUSTOMER DRAWING