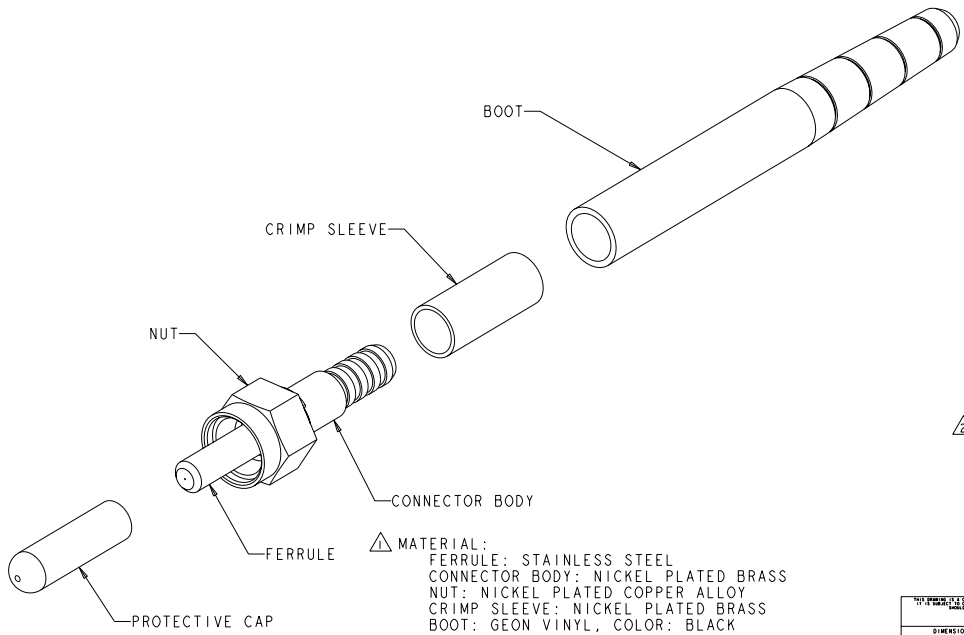
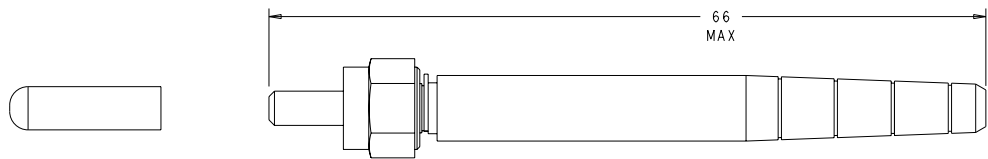


THIS DRAWING IS UNPUBLISHED. RELEASED FOR PUBLICATION
 © COPYRIGHT 20 BY TYCO ELECTRONICS CORPORATION. ALL RIGHTS RESERVED.

LOC	DIST	REVISIONS					
		P	LYR	DESCRIPTION	DATE	BY	APPD
CE	00	N		REVISE PER ECR-05-003184 AND OADO-0148-05	18JUN2005	BB	LS
		P		REVISE PER ECR-06-005019	13MAR2006	BB	LS



△ MATERIAL:
 FERRULE: STAINLESS STEEL
 CONNECTOR BODY: NICKEL PLATED BRASS
 NUT: NICKEL PLATED COPPER ALLOY
 CRIMP SLEEVE: NICKEL PLATED BRASS
 BOOT: GEON VINYL, COLOR: BLACK
 PROTECTIVE CAP: VINYL, COLOR: RED.

△ BULK PACKAGE.
 3. COUPLING NUT NORMAL TIGHTENING TORQUE RANGE IS 7.0 TO 10.0 in-lbf. DO NOT EXCEED 20 in-lbf.

DESCRIPTION	FIBER HOLE SIZE	PART NUMBER
△ BOOT NOT INCLUDED	140um	4-504567-1
STANDARD KIT	720um	3-504567-9
STANDARD KIT	.082 in	3-504567-3
STANDARD KIT	.042 in	2-504567-9
STANDARD KIT	140um	504567-2
STANDARD KIT	125um	504567-1

D. BRIGGS 10JUN2005		Tyco Electronics Harrisburg, PA 17105-3600	
L. SAUERBECK 0JUN2005		S. BUCHTER 0JUN2005	
APPROVED		NAME	
PRODUCT SPEC		CONNECTOR KIT, SMA 905 STAINLESS STEEL FRONT BODY, BRASS REAR BODY, 4.3mm CABLE	
APPLICATION SPEC		SIZE	CAGE CODE DRAWING NO
MATERIAL		A200779	504567
WEIGHT		RESTRICTED TO	
CUSTOMER DRAWING		SCALE	4:1