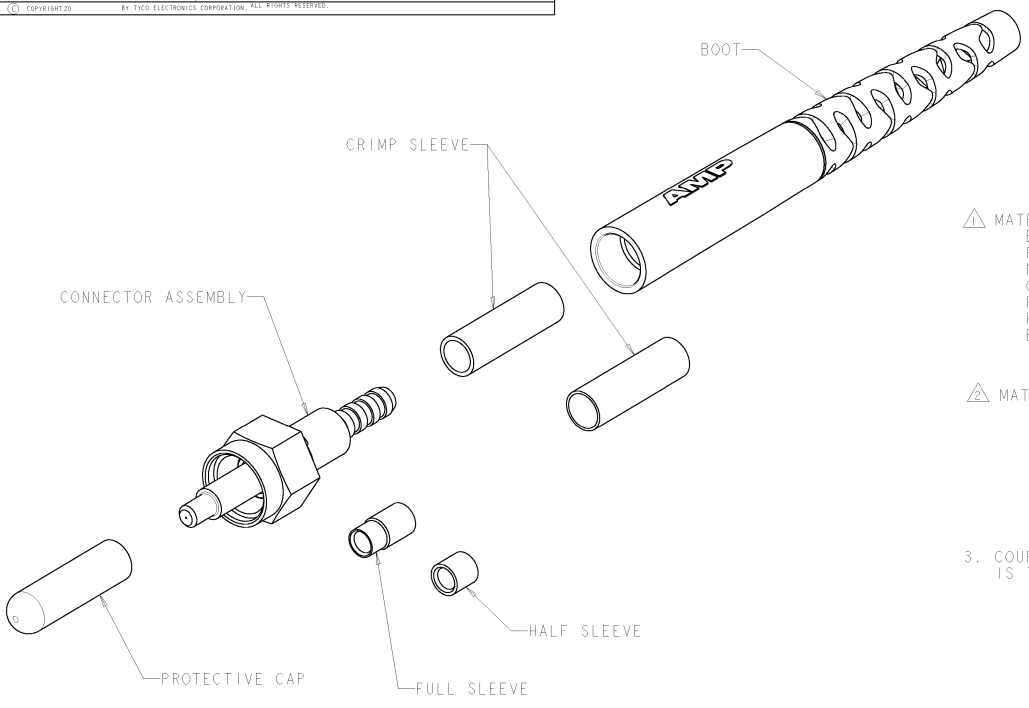


THIS DRAWING IS UNPUBLISHED. RELEASED FOR PUBLICATION BY TYCO ELECTRONICS CORPORATION. ALL RIGHTS RESERVED.

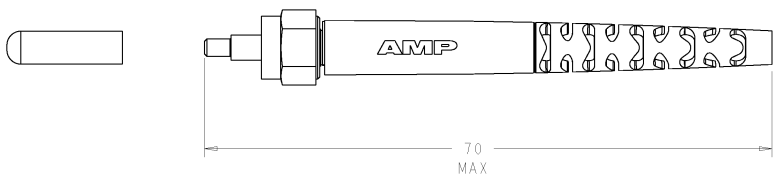
REV	DATE	BY	CHKD	DESCRIPTION
L	09JUN2005	BB	LS	REVISE PER ECR-05-003184
M	19MAR2006	BB	LS	REVISE PER ECR-06-005019



△ MATERIAL:  
 BODY: NICKEL PLATED BRASS  
 FERRULE: STAINLESS STEEL  
 NUT: NICKEL PLATED BRASS  
 CRIMP SLEEVE: NICKEL PLATED BRASS  
 PROTECTIVE CAP: VINYL, COLOR: RED  
 HALF AND FULL SLEEVE: DELRIN, COLOR: WHITE  
 BOOT: TPE, COLOR: BLACK, UL94 V-0 RATED AT QUALIFYING THICKNESS.

△ MATERIAL:  
 BODY: STAINLESS STEEL  
 FERRULE: STAINLESS STEEL  
 NUT: STAINLESS STEEL  
 CRIMP SLEEVE: NICKEL PLATED BRASS  
 PROTECTIVE CAP: VINYL, COLOR: RED  
 HALF AND FULL SLEEVE: DELRIN, COLOR: WHITE  
 BOOT: TPE, COLOR: BLACK, UL94 V-0 RATED AT QUALIFYING THICKNESS.

3. COUPLING NUT NORMAL TIGHTENING. TORQUE RANGE IS 7.0 TO 10.0 in-lbf. DO NOT EXCEED 20 in-lbf.



HOLE SIZE	CABLE SIZE	MATERIAL	PART NUMBER
145um	3.1mm MAX	△	2-504014-7
140um	3.1mm MAX	△	1-504014-0
125um	3.1mm MAX	△	504014-5
125um	3.1mm MAX	△	504014-1

DIMENSIONS: mm		GENERAL SPECIFICATIONS: 0 PLC - 1 PLC - 2 PLC - 3 PLC - 4 PLC - ANGLES - FINISH -		DWG: B. BRIGGS 09 JUN 2005 CHK: L. SAUERWEIN 09 JUN 2005 APP: S. BUCHTER 09 JUN 2005		<b>tyco</b> <b>Electronics</b> Tyco Electronics Harrisburg, PA 17105-3600	
MATERIAL: △ △		WEIGHT: - CUSTOMER DRAWING		SIZE: A200779 CASE CODE: - DRAWING NO: 504014		RESTRICTED TO: - SCALE: 4:1 SHEET: 1 OF 1 REV: M	

AMP 1471-9 REV 31MAR2005  
 PFA/ENGINEER DRAWING