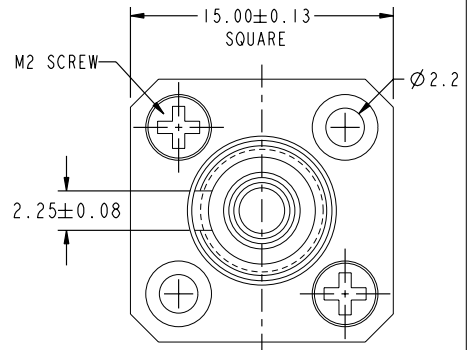
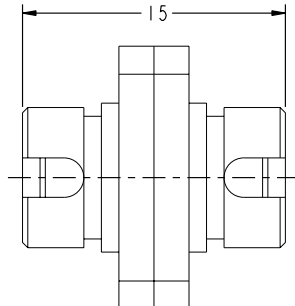
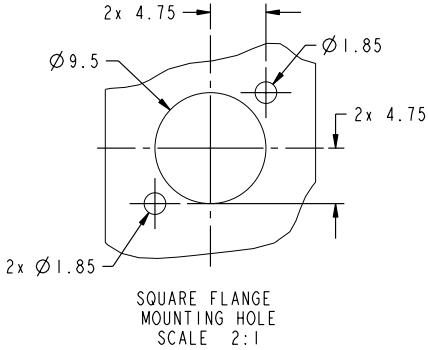


Tous droits strictement réservés. Reproduction ou communication o des liens interdite sous quelque forme que ce soit sans autorisation écrite du propriétaire. Propriete de c FCI. Droits de reproduction FCI.

All rights strictly reserved. Reproduction or issue to third parties in any form whatever is not permitted without written authority from the proprietor. Property of FCI. Copyright FCI.

FCI P/N NOTE 1	DESCRIPTION
74883-001LF	ADAPTER, SQUARE FLANGED, FC/FC, W/PB SLEEVE
74883-002LF	ADAPTER, SQUARE FLANGED, FC/FC, W/ZR SLEEVE



NOTES:
 ① THIS PRODUCT WITH "LF" SUFFIX MEETS EUROPEAN UNION DIRECTIVES AND OTHER COUNTRY REGULATIONS AS DESCRIBED IN GS-22-008.
 "LF" SUFFIX INDICATES THIS PRODUCT IS LEAD FREE.

mat'l code				SEE NOTES		tolerances unless otherwise specified		CUSTOMER		FCI	
ltr	ecm no.	dr	date	linear	0.X ± 0.3	projection	COPY	title		www.fciconnect.com	
A	V90732	RN	3/16/99	0.XX ± 0.10	0° ± 2°	MM	ADAPTER, FC	product family		FIBER OPTICS	code
B	V11223	JJK	3/29/01	0.XXX ± 0.050		3:1		size	dwg no	74883	213
C	V12355	JJK	11/7/01					sheet	1 of 4		
D	V05-0635	DAI	8/10/05	dr	J. KILE	3/20/01		scale	3:1		
				engr	G. WARNER	3/29/01					
				chr	G. WARNER	3/20/01					
				oppd	G. WARNER	3/20/01					
sheet index	revision sheet	D	D	D	D	D					
		1	2	3	4						

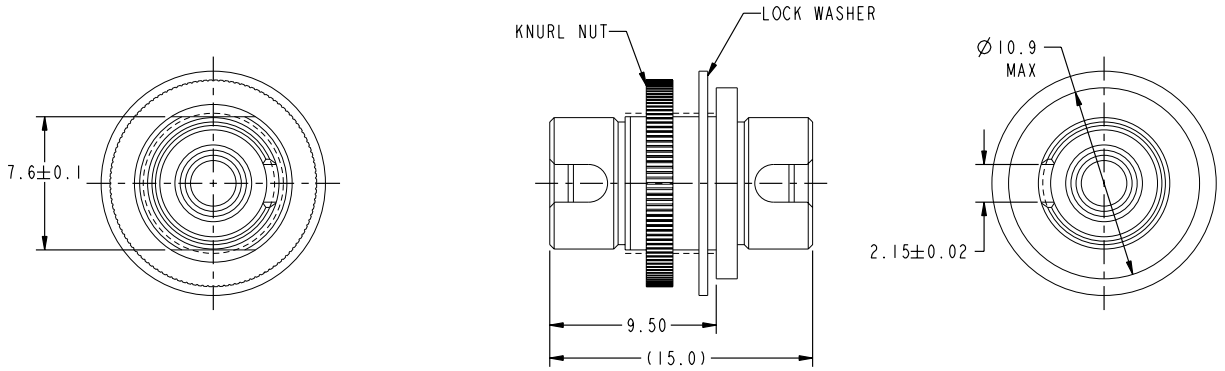
Pro/E 3 cage code 22526 4

PDM: Rev:D STATUS: Released Printed: Apr 08, 2008

Tous droits strictement réservés. Reproduction ou communication o des liens interdite sous quelque forme que ce soit sans autorisation écrite du propriétaire. Propriete de c FCI. Droits de reproduction FCI.

All rights strictly reserved. Reproduction or issue to third parties in any form whatever is not permitted without written authority from the proprietor. Property of FCI. Copyright FCI.

FCI P/N NOTE 1	DESCRIPTION
74883-003LF	ADAPTER, DD-MOUNT, FC/PC W/PB SLEEVE
74883-004LF	ADAPTER, DD-MOUNT, FC/PC W/ZR SLEEVE



DD-MOUNT
MOUNTING CUTOUT
SCALE 2:1

mat'l code				SEE NOTES		tolerances unless otherwise specified		CUSTOMER	
lfr	ecn no.	dr	date	linear	0.X ± 0.3	projection	COPY	FCI www.fciconnect.com	
D					0.XX ± 0.10			title ADAPTER, FC	
				angles	0.XXX ± 0.050			product family FIBER OPTICS code 213	
				dr	0° ± 2°			size dwg no 74883 sheet 2	
				engr	J. KILE 3/20/01			scale 3:1	
				chr	G. WARNER 3/29/01			code 22526	
				appd	G. WARNER 3/20/01			4	
sheet index	revision sheet								

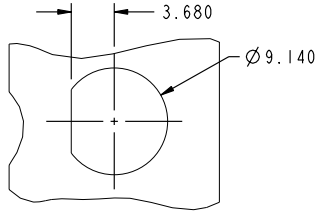
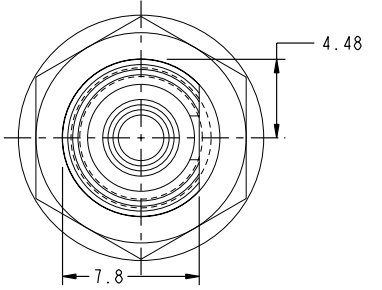
Pro/E 3 PDM: Rev:D STATUS: Released Printed: Apr 08, 2008

Tous droits strictement réservés. Reproduction ou communication o des liens interdite sous quelque forme que ce soit sans autorisation écrite du propriétaire. Propriete de c FCI. Droits de reproduction FCI.

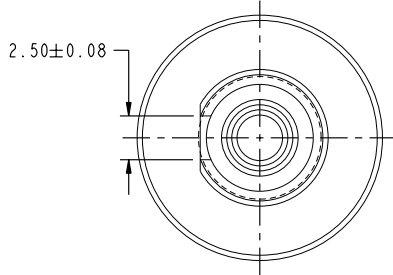
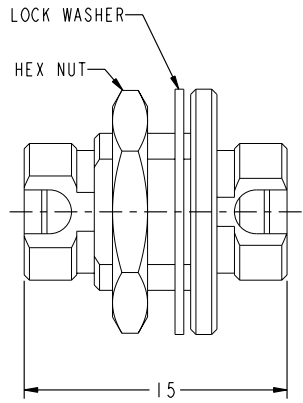
All rights strictly reserved. Reproduction or issue to third parties in any form whatever is not permitted without written authority from the proprietor. Property of FCI. Copyright FCI.



FCI P/N NOTE 1	DESCRIPTION
74883-005LF	ADAPTER, D-MOUNT, FC/PC W/PB SLEEVE
74883-006LF	ADAPTER, D-MOUNT, FC/PC W/ZR SLEEVE



D-MOUNT
MOUNTING HOLE
SCALE 2:1



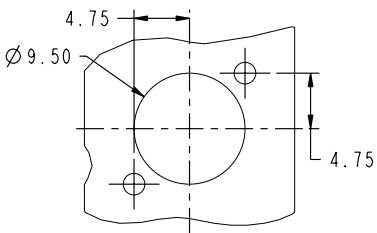
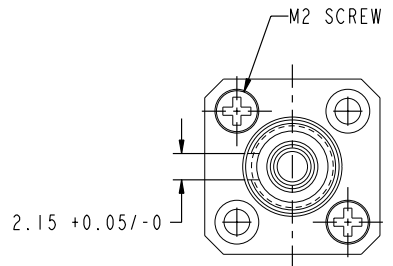
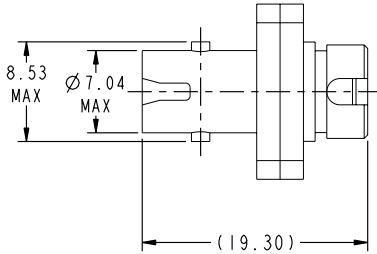
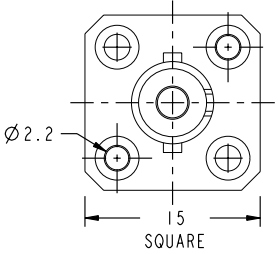
mat'l code		SEE NOTES	tolerances unless otherwise specified	CUSTOMER	www.fciconnect.com
ltr	ecn no.	dr	date	COPY	
D				linear	projection
				0.X ± 0.3	
				0.XX ± 0.10	
				angles	0° ± 2°
				dr	J. KILE 3/20/01
				enr	G. WARNER 3/29/01
				chr	G. WARNER 3/20/01
				appd	G. WARNER 3/20/01
sheet index	revision sheet			scale	3:1
				product family	FIBER OPTICS
				size	dwg no
					74883
				code	213
				sheet	3
				code code	22526

Pro/E 3 4
PDM: Rev:D STATUS: **Released** Printed: Apr 08, 2008

Tous droits strictement réservés. Reproduction ou communication o des tiers interdite sous quelque forme que ce soit sans autorisation écrite du propriétaire. Propriété de c FCI. Droits de reproduction FCI.

All rights strictly reserved. Reproduction or issue to third parties in any form whatever is not permitted without written authority from the proprietor. Property of FCI. Copyright FCI.

FCI P/N NOTE 1	DESCRIPTION
74883-102LF	ADAPTER, SQUARE FLANGED, FC/ST, W/ZR SLEEVE



SQUARE FLANGE
ADAPTER CUT OUT
SCALE 2:1

mat'l code				SEE NOTES	tolerances unless otherwise specified	CUSTOMER	www.fciconnect.com	
ltr	ecn no.	dr	date	linear	0.X ± 0.3	COPY	title	
					0.XX ± 0.10	projection	ADAPTER, FC	
				angles	0.XXX ± 0.050		product family FIBER OPTICS	
				dr	0° ± 2°	MM	size	code
				enr	J. KILE 3/20/01	scale	dwg no	213
				chr	G. WARNER 3/29/01	2:1	74883	sheet
				oppd	G. WARNER 3/20/01			4
sheet index	revision sheet						code code	
							22526	

Pro/E 3 4

PDM: Rev:D STATUS: Released Printed: Apr 08, 2008