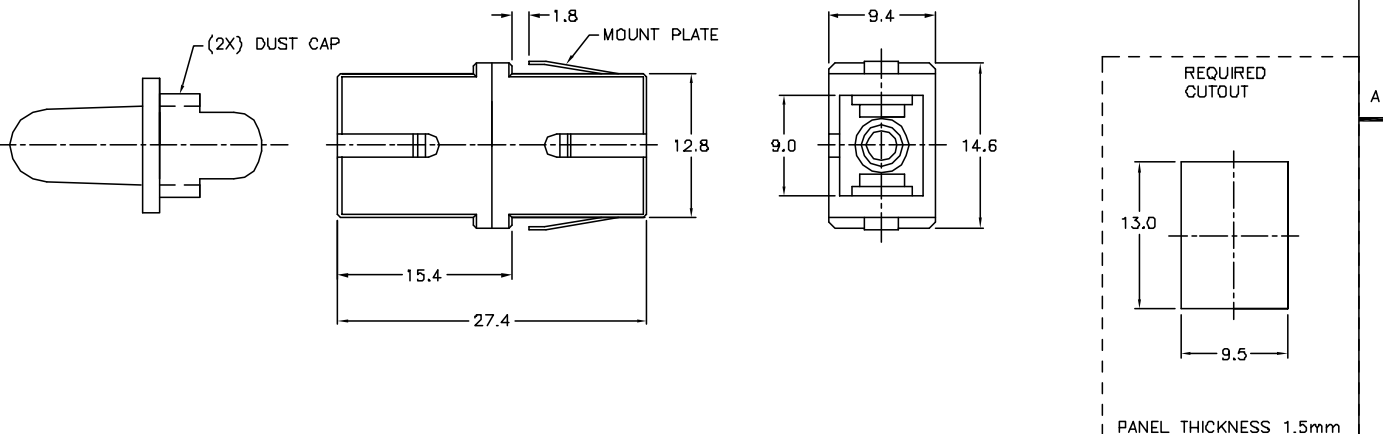


Tous droits strictement réservés. Reproduction ou communication à des fins
interdite sous quelque forme que ce soit sans autorisation écrite du propriétaire.
Property of FCI. Drafts de reproduction FCI.

All rights strictly reserved. Reproduction or issue to third parties in any
form whatever is not permitted without written authority from the proprietor.
Property of FCI. Copyright FCI.

PRODUCT NUMBER	SPLIT SLEEVE MATERIAL	SHELL COLOR	FLANGE	NOTES
74885-001	PB	BLUE	W/FLANGE	OBSOLETE USE 99103-P0001
74885-002	ZIRCONIA	BLUE	W/FLANGE	OBSOLETE USE 99103-Z0001
74885-003	PB	GREEN (APC)	W/FLANGE	OBSOLETE USE 99103-PA001
74885-004	ZIRCONIA	GREEN (APC)	W/FLANGE	OBSOLETE USE 99103-ZA001
74885-005	ZIRCONIA	METALLIC	W/FLANGE	OBSOLETE USE 99103-ZM001
74885-006	PB	METALLIC	W/FLANGE	OBSOLETE USE 99103-PM001
74885-007	PB	BLUE	W/O FLANGE	-
74885-008	ZIRCONIA	BLUE	W/O FLANGE	-
74885-009	PB	GREEN (APC)	W/O FLANGE	-
74885-010	ZIRCONIA	GREEN (APC)	W/O FLANGE	-



- NOTES:
1. JIS-C-5973-1990 COMPATIBLE.
 2. SNAP-IN OR FASTENER MOUNTING.
 3. SHELL W/FLANGES.

mat'l. code				tolerances unless otherwise specified				CUSTOMER COPY		FCI Electronics www.fciconnect.com	
A/R UL94 V-0 RATED				NOMINALS ONLY				projection		title	
ltr	ecn no	dr	date	UNLESS NOTED				ADAPTER ,SC/SC			
A	V90759	NPP	21JAN99	linear				mm		product family FIBER OPTICS	
B	V00928	RSN	11APRO0	angles				scale		code	
C	V01215	RSN	5/22/00					N/A		-	
D	V01901	JJK	7/25/00	dr	N. PETRILLO	21JAN99			size		
E	V02683	JJK	11/21/00	engr	N. PETRILLO	21JAN99			dwg no		
F	V20825	JJK	4/9/02	chr	NPP	13APR99			74885		
				appd	N. PETRILLO	13APR99			sheet		
sheet index	revision sheet										sheet 1 of 1
								cage code		22526	

ACAD

PDM: Rev:F STATUS:Released Printed: Jun 10, 2009