



Connectivity Solutions

Complete or Partial Part #,
Competitor Part # or
Keywords.

Wireless

CATV

Audio & Video

Networking &
Structured Wiring

Military & Aerospace

Test & Measurement

Home

Member Access

Products

Connectors

Microwave Components

CATV Components

Coaxial Cable Assemblies

Structured Cabling & Connectors

Tools & Accessories

Customer Service

Request For Quote

Representatives

Distributors

Literature/Catalog Request

What's New

About Our Brands

Legal Terms

© 2007 All Rights Reserved

Product Detail



Product Line:	Johnson (Click for customer service)
Part Number:	108-0902-001
Description:	Banana Jack - Insulated Solder Terminal
Product Family:	BANANA JACK
Body Material:	Brass per QQ-B-626D
Breakdown Voltage:	7000 Vrms min.
Color / Finish:	Red
Contact Material:	Brass
Contact Finish:	Tin
Contact Termination:	Solder
Current:	15 amps
Description:	Insulated Solder Terminal
For Use With:	.175 (4.44) Banana Plug
Panel Thickness:	Up to .343 (8.80)
RoHS Compliant:	Yes

20070523-1523

Banana Jack - Insulated Solder Terminal

SPECIFICATIONS

Contact: Formed brass per QQ-B-626D

Finish: Bright tin

Body: Nylon 6/6 per ASTM D4066

Hardware: Nickel plated nut (unassembled)

Body Thread Stripping Torque: 6.0 lb. in. (7kg. cm.)

Panel Thickness: Up to .343 (8.80)

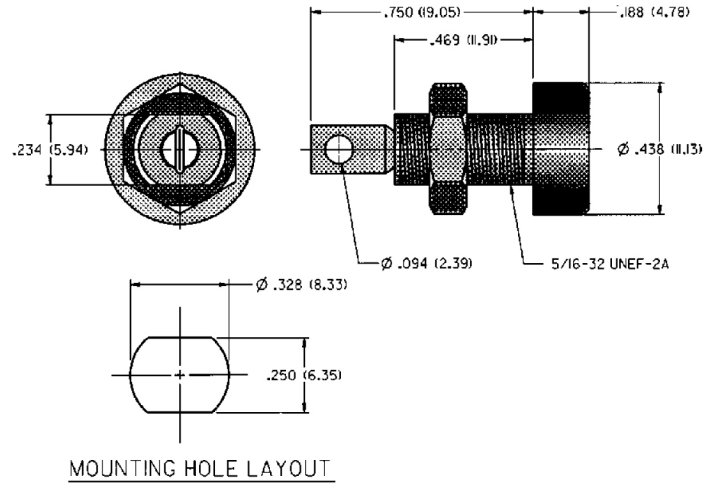
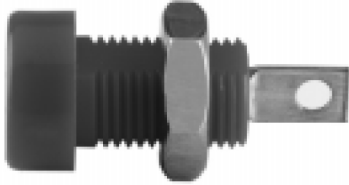
RATINGS

Current: 15 amps

Breakdown Voltage: 7000 Vrms minimum +

Contact Resistance: 0.010 ohms maximum

Contact-To-Panel: 2.4 pF nominal



BRIGHT TIN PLATING

108-0902-001 Red

For Standard Banana Plug: .175 (4.44) Across Flats

FEATURES:

- Keyed mounting with double flats
- Accepts up to 16 gauge wire
- Nylon UL approved for self extinguishing