



# Connectivity Solutions

Complete or Partial Part #,  
Competitor Part # or  
Keywords.

Wireless

CATV

Audio &amp; Video

Networking &  
Structured Wiring

Military &amp; Aerospace

Test &amp; Measurement

[Home](#)[Member Access](#)[Products](#)[Connectors](#)[Microwave Components](#)[CATV Components](#)[Coaxial Cable Assemblies](#)[Structured Cabling & Connectors](#)[Tools & Accessories](#)[Customer Service](#)[Request For Quote](#)[Representatives](#)[Distributors](#)[Literature/Catalog Request](#)[What's New](#)[About Our Brands](#)[Legal Terms](#)

© 2007 All Rights Reserved

## Product Detail



<b>Product Line:</b>	<a href="#">Johnson</a> (Click for customer service)
<b>Part Number:</b>	108-0750-001
<b>Description:</b>	Banana Plug - Uninsulated Panel Mount Threaded Stud
<b>Product Family:</b>	BANANA PLUG
<b>Body Material:</b>	Brass per QQ-B-626D
<b>Contact Finish:</b>	Nickel
<b>Contact Termination:</b>	Solder
<b>Current:</b>	15 amps
<b>Desc 2:</b>	0.375
<b>Description:</b>	Uninsulated Threaded Stud
<b>For Use With:</b>	.166 (4.23) Banana Jack
<b>Panel Thickness:</b>	Up to .250 (6.35), .625 (16.00)
<b>RoHS Compliant:</b>	Yes

20070523-1523

# Banana Plug - Uninsulated Panel Mount Threaded Stud

## SPECIFICATIONS

**Plug Body:** Brass per QQ-B-626D

**Plug Spring:** Nickel silver per QQ-C-585

**Finish:** Nickel

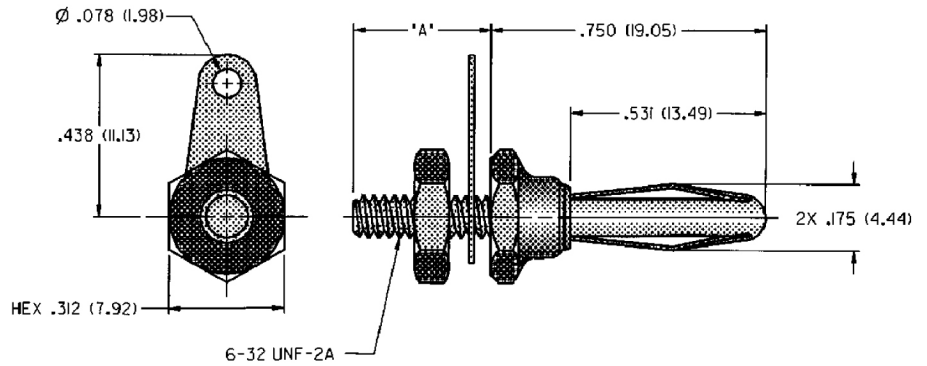
**Panel Thickness:** Up to .25 (6.35) .625 (16.00)

**Hardware:** Nickel plated nut, stamped tin plated  
solder terminal (unassembled)

## RATINGS

**Current:** 15 amps

**Contact Resistance:** 0.010 ohms maximum



NICKEL PLATING	
108-0750-001	.375 (9.50)

**For Standard Banana Jack: .166 (4.23) Diameter**

## FEATURES:

- Two stud lengths adapt to different panel sizes
- Pierced hole for up to 14 gauge wire