

Product Detail



Product Line:	Johnson (Click for customer service)
Part Number:	105-0807-001
Description:	Tip Jack - Insulated Standard
Product Family:	TIP JACK
Body Material:	Nylon 6/6 per ASTM D4066
Breakdown Voltage:	5700 Vrms min.
Color / Finish:	Yellow
Contact Material:	Phosphor bronze
Contact Finish:	Tin
Contact Termination:	Solder
Current:	10 amps
Description:	Insulated Standard
For Use With:	.080 (2.00) Tip Plug
Panel Thickness:	Up to .437 (11.10)
RoHS Compliant:	Yes

20070523-1523

Tip Jack Insulated Standard

SPECIFICATIONS:

Contact: Phosphor bronze per QQ-B-750

Finish: Bright tin

Body: Nylon 6/6 per ASTM D4066

Hardware: Nickel plated nut (unassembled)

Body Thread Stripping Torque: 4.0 lb. in.
(4.5 kg. cm.)

Panel Thickness: Up to .437 (11.10)

RATINGS

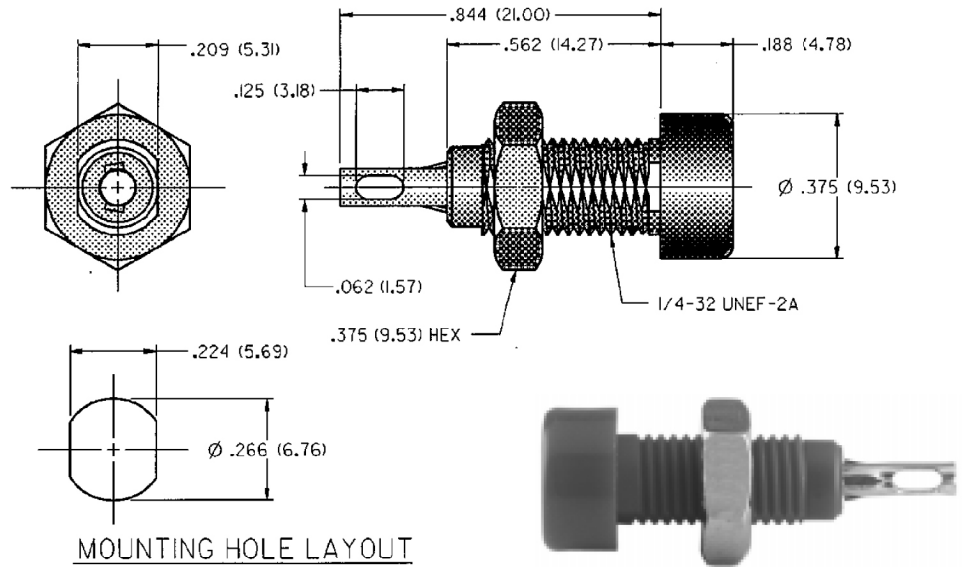
Current: 10 amps

Breakdown Voltage: 5700 Vrms minimum +

Contact Resistance: 0.010 ohms maximum

Contact-To-Panel C: 2 pF nominal

BRIGHT TIN PLATING
105-0807-001 Yellow



For Standard Tip Plug: .080 (2.00) Diameter

FEATURES:

- Formed contact with slotted terminal
- Hex socket head .188 (4.77) for ease in mounting
- Nylon UL approved for self extinguishing