



Connectivity Solutions

Complete or Partial Part #,
Competitor Part # or
Keywords.

Wireless

CATV

Audio & Video

Networking &
Structured Wiring

Military & Aerospace

Test & Measurement

Home

Member Access

Products

Connectors

Microwave Components

CATV Components

Coaxial Cable Assemblies

Structured Cabling & Connectors

Tools & Accessories

Customer Service

Request For Quote

Representatives

Distributors

Literature/Catalog Request

What's New

About Our Brands

Legal Terms

© 2007 All Rights Reserved

Product Detail



Product Line:	Johnson (Click for customer service)
Part Number:	108-0740-001
Description:	Banana Jack - Uninsulated Standard Type: Pierced Lug Terminal
Product Family:	BANANA JACK
Body Material:	Brass per QQ-B-626D
Contact Finish:	Nickel
Contact Termination:	Solder
Current:	15 amps
Desc 2:	Pierced Lug Terminal
Description:	Uninsulated Standard
For Use With:	.175 (4.44) Banana Plug
Panel Thickness:	Up to .375 (9.50)
RoHS Compliant:	Yes

20070523-1523

Banana Jack - Uninsulated Standard Type:

Pierced Lug Terminal

SPECIFICATIONS

Jack Body: Brass per QQ-B-626D

Finish: Nickel

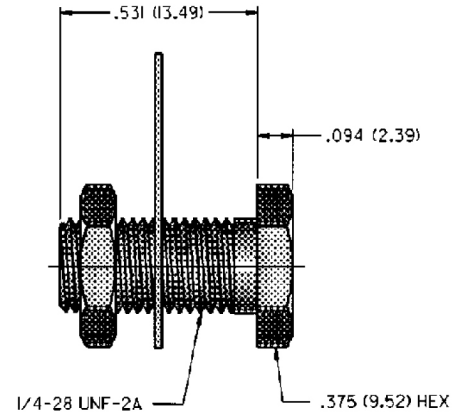
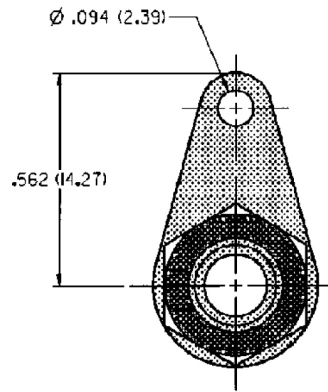
Hardware: Nickel plated nut; stamped tin plated solder terminal (unassembled)

Panel Thickness: Up to .375 (9.50)

RATINGS

Current: 15 amps

Contact Resistance: 0.010 ohms maximum



NICKEL PLATING
PART NO.
108-0740-001

For Standard Banana Plug: .175 (4.44) Across Flats

FEATURES:

- Accepts up to 12 gauge wire
- Hex head for faster installation
- For higher current designs