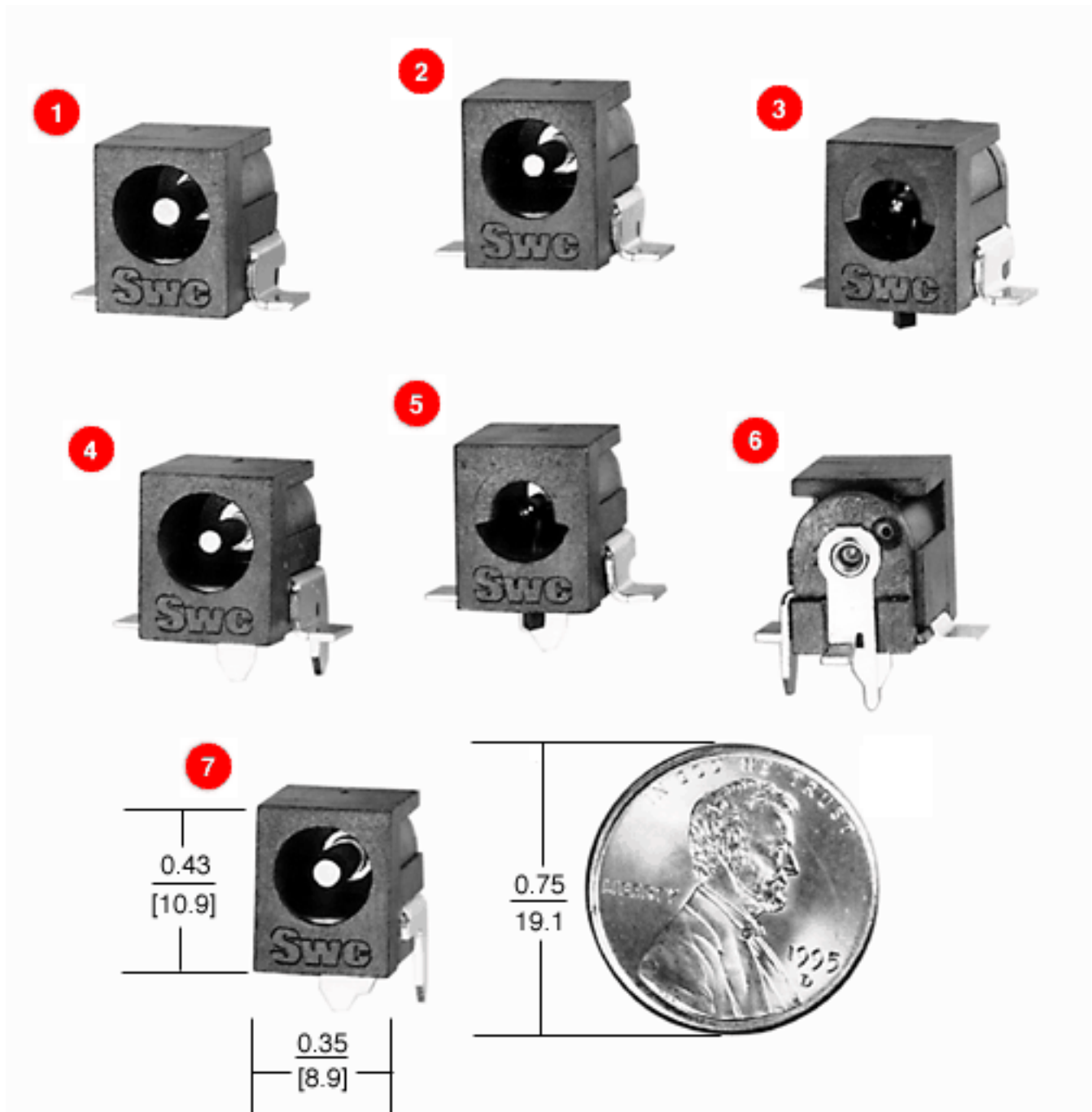


Switchcraft®

[Previous Page](#) | [Return to Index](#) | [Next Page](#)



RIGHT ANGLE MINIATURE POWER JACKS

Shown above:

1. RASM 712
2. RASM 722
3. RASM 732P
4. RASH 722
5. RASH 732P (Front)
6. RASH 732 (Back)
7. RAPC 712

Also available, but not shown, are the RASH 712, RAPC 722 and RAPC 732.

click below to download customer drawings

(you will need to have Adobe Acrobat installed on your system to do this)

1. [RASM 712](#)
2. [RASM 712P](#)
3. [RASM 722](#)
4. [RASM 722P](#)
5. [RASM 732](#)
6. [RASM 732P](#)
7. [RASH 712](#)
8. [RASH 712P](#)
9. [RASH 722](#)
10. [RASH 722P](#)
11. [RASH 732](#)
12. [RASH 732P](#)
13. [RAPC 712](#)
14. [RAPC 722](#)
15. [RAPC 732](#)



FEATURES AND BENEFITS

* 2-conductor jack.

- * Right-angle power jack for PC mounting.
- * Three center conductor pin diameters: .100", .080", and .050".
- * Three termination styles, through hole, surface mount and hybrid (combination through hole and surface mount) which allows use of universal PC board.
- * Heat resistant materials for high temperature soldering.
- * Flat top aids automatic placement on PC boards.
- * Sleeve/shunt spring functions as a built-in switch (eg. permits automatic switchover from AC to DC when plug is inserted or withdrawn).
- * Also available with optional post which secures the jack to the PC board during insertion and withdrawal.

APPLICATIONS

- * DC-powered hand held instrumentation
- * Portable computers
- * Cellular/portable phones
- * Battery chargers
- * External low voltage power supplies for instrumentation and more.

SPECIFICATIONS

MATERIALS

Housing: High grade thermoplastic UL 94V-O

Center Pin: Brass, nickel-plated

Part Number	Materials
-------------	-----------

	Terminals	Spring
RAPC712 RAPC722 RAPC732	Brass, silver-plated	Copper- alloy, silver-plated
RASM712 RASM722 RASM732 RASH712 RASH722 RASH732	Brass, solder- plated	Copper- alloy, solder- plated

MECHANICAL

Life: 5,000 cycles minimum

Insertion Force: 5 lb. maximum

Withdrawal Force: 0.5 lb. minimum

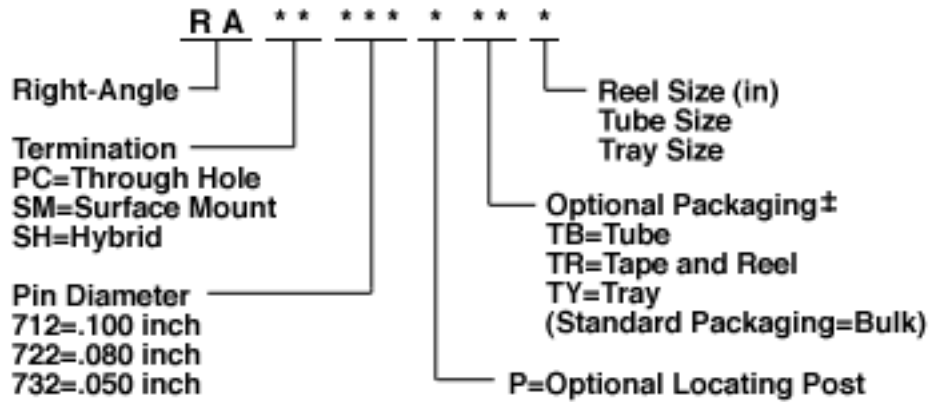
ELECTRICAL

Contact Resistance: 30 milliohms maximum

Insulation Resistance: 30 megohms @ 100V DC

Dielectric Withstanding Voltage: 250V AC for 1 minute

Current (carrying): 5 A



Right Angle Power Jacks	Pin Size	Typical Mating Plug
RAPC712 RASH712 RASM712	.100"	760 Black Handle 765 Red Handle *ST765 or RA765 for molded cables
RAPC722 RASH722 RASM722	.080"	S760 Black Handle S765 Red Handle *ST760 or RA760 for molded cables
RAPC732 RASH732 RASM732	.050"	860 Black Handle 865 Red Handle

See Engineering Design Guide for other power jacks and plugs.

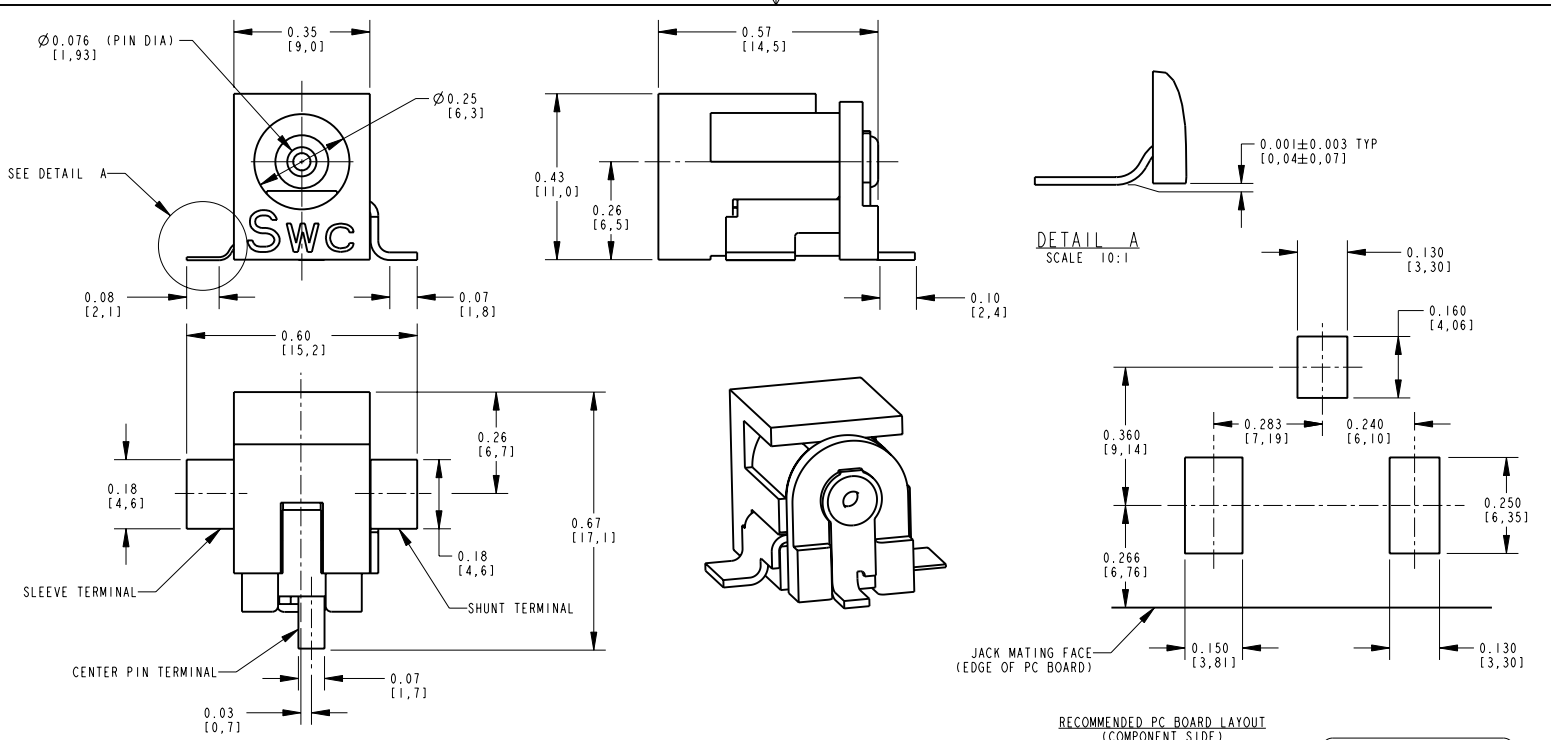
* Special order only, contact Switchcraft.

± Contact Factory.

[Previous Page](#) | [Return to Index](#) | [Next Page](#)

To search a category please click on the corresponding icon:





MATERIALS:
 HOUSING AND COVER: HIGH GRADE THERMOPLASTIC, UL94V-0 RATED, COLOR BLACK.
 CENTER PIN: BRASS, NICKEL PLATED PER QQ-N-290, CLASS 1.
 PIN AND SHUNT TERMINALS: BRASS, SOLDER PLATED.
 SLEEVE SPRING: SPRING COPPER ALLOY, SOLDER PLATED.

SPECIFICATIONS:
 LIFE: 5000 CYCLES.
 INSERTION FORCE: 5 LB [2.3 KG] MAX.
 WITHDRAWAL FORCE: 0.5 LB [0.2 KG] MIN.
 CONTACT RESISTANCE: 30 MILLIOHM MAX., 60 MILLIOHM MAX. AFTER TEST.
 INSULATION RESISTANCE: 30 MEGAOHM MIN. @ 100VDC.
 DIELECTRIC WITHSTANDING VOLTAGE: 250VAC FOR 1 MINUTE.
 CURRENT (CARRYING): 5A.

REV	ECO NUMBER	DATE	BY	APVD
C	24089	12-12-02	JL	MW
B	22891	6-15-99	TJK	TJK
A	20611	7-22-97	DA	MA

★ STAR SYMBOL DENOTES CRITICAL DIMENSION
 UNLESS OTHERWISE SPECIFIED
 1. ALL DIMENSIONS IN INCHES
 - TWO PLACE DECIMALS ±0.01
 - THREE PLACE DECIMALS ±0.005
 - ANGLES ±1°
 - ALL DIA. CONCENTRIC WITHIN 0.005 T.I.R.
 2. FEATURES ON THE SAME CENTERLINE MUST BE ALIGNED WITHIN ±0.002
 3. REMOVE ALL BURRS

THIS DRAWING DESCRIBES A DESIGN CONSIDERED PROPRIETARY IN NATURE, DEVELOPED AND MANUFACTURED BY SWITCHCRAFT INC. AND IS RELEASED ON A CONFIDENTIAL BASIS FOR IDENTIFICATION PURPOSES ONLY.											
SIZE	WIDTH	MULT	LBS/M			TEMPER					
FINISH SPEC No.			MATERIAL SPEC No.								
FIRST USED ON			SCALE								
DATE DRAWN	BY	CHKD	APVD	4:1							
4-28-95	MA	MA	MA	12-28-95							
NAME POWER JACK, SURFACE MOUNT						PART No. RASM722					
0.08 [2.0mm] PIN						REV C					

REVISIONS

DO NOT SCALE DRAWING

Pro/Engineer CAD File

Switchcraft® SHEET 1 OF 1