

Switchcraft®

[Previous Page](#) | [Return to Index](#) | [Next Page](#)



MINIATURE POWER PLUGS

- 1. 760K/S760K**
- 2. 760/S760**
- 3. 860**
- 4. 761K**

[click here to view drawings](#)

(you will need to have Adobe Acrobat installed on your system to do this)



FEATURES AND BENEFITS

- * 2-conductor power jacks.
- * Hollow center pin available in 3 pin diameters and 2 finger lengths (See chart below).
- * Locking option available for added security in critical applications.
- * Molded plastic handles available in black or red.
- * Sleeve terminal serves as cord clamp.

SPECIFICATIONS

Plug Sleeve and Pin: Nickel-plated copper alloy.

Lockring: Nickel-plated copper alloy.

Lockring Thread Size: 5/16 - 32 UNEF 2B.

Finger Insulator: Molded plastic.

Insulating Washers: Rigid plastic.

Sleeve Terminal: Copper alloy, electro-tinned.

Handle: Molded plastic.

Thread Size: 5/16 - 24 UNF 2B.

Electrical: Current (Carry): 5 amps.

ORDERING INFORMATION

1. Order by part number.
2. Contact Switchcraft for more information.
3. ý Indicates "special order" only.

PART NUMBERING and MATING CHART (Power plugs/Power jacks)									
Part Number	Inside Diameter	Outside Diameter	Length "L1"	Length "L2"	Locking Feature	Tip Insulator	Handle Color	Handle Part Number	Switchcraft® Mating Jack
760	.100"	.218"	.375"	1.42	No	Black	Black	M1055	712A, RAPC712, RASH712, RASM712, PC712A, RA712A
765	.100"	.218"	.375"	1.42	No	Black	Red	M1056	712A, RAPC712, RASH712, RASM712, PC712A, RA712A
760K	.100"	.218"	.375"	1.7	Yes	Black	Black	M1055	712A, PC712A
761K	.100"	.218"	.475"	1.8	Yes	Black	Black	M1055	L712A, PCL712A

765K	.100"	.218"	.375"	1.7	Yes	Black	Red	M1056	712A, PC712A
766K	.100"	.218"	.475"	1.8	Yes	Black	Red	M1056	L712A, PCL712A
ý 2P1515	.100"	.218"	.375"	1.42	No	Black	No Handle	No Handle	712A, PC712A
S760	.080"	.218"	.375"	1.42	No	White	Black	M1055	722A, RAPC722, RASH722, RASM722, PC722A, RA722A
S765	.080"	.218"	.375"	1.42	No	White	Red	M1056	722A, RAPC722, RASH722, RASM722, PC722A, RA722A
S760K	.080"	.218"	.375"	1.7	Yes	Black	Black	M1055	722A, PC722A
S761K	.080"	.218"	.475"	1.8	Yes	Black	Black	M1055	L722A, PCL722A
S765K	.080"	.218"	.375"	1.7	Yes	Black	Red	M1056	722A, PC722A
S766K	.080"	.218"	.475"	1.8	Yes	Black	Red	M1056	L722A, PCL722A
2P1624	.080"	.218"	.375"	1.42	No	White	No Handle	No Handle	722A, PC722A
860	.050"	.150"	.375"	1.42	No	Black	Black	M1055	RAPC 732, RASH 732, RASM 732
865	.050"	.150"	.375"	1.42	No	Black	Red	M1056	RAPC 732, RASH 732, RASM 732

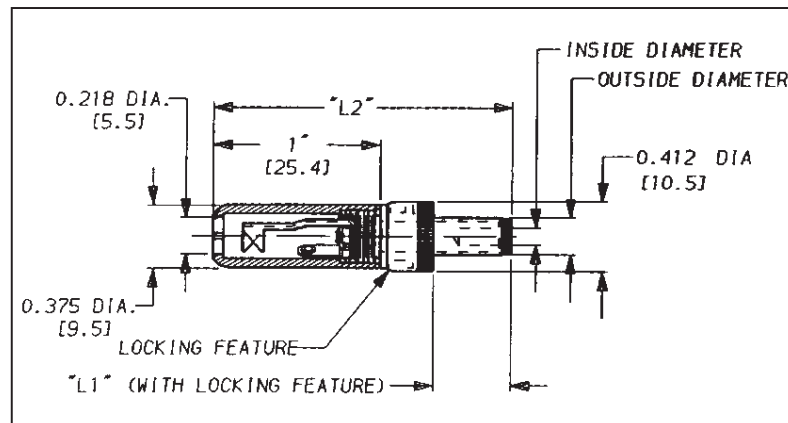
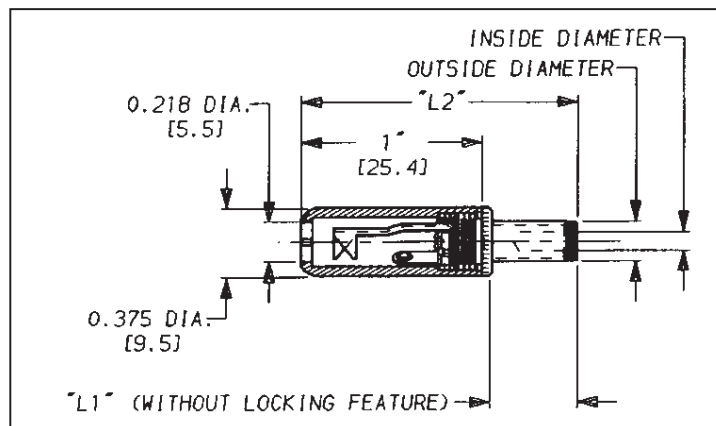
[Previous Page](#) | [Return to Index](#) | [Next Page](#)

| [Switchcraft home](#) |

[About Us](#) | [Products](#) | [What's New](#) | [Search](#) | [Contact Us](#)

SWITCHCRAFT, INC. 5555 N. Elston Ave.
Chicago, IL 60630 • 773 792-2700 • FAX: 773 792-2129
www.switchcraft.com

MINIATURE POWER PLUGS



DIMENSIONS ARE FOR REFERENCE ONLY

Inch
(mm)