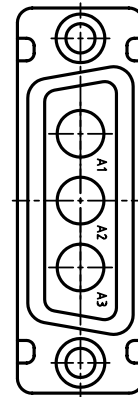
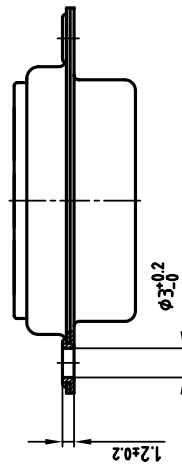
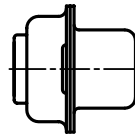
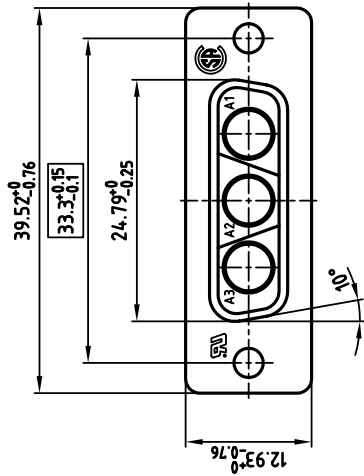
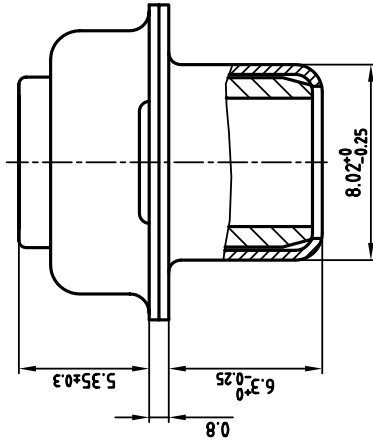


used for: D-SUB COMBINATION

5:1



NOTES:

1. METAL SHELLS: STEEL; min. 320µ" TIN
2. INSULATORS: PBT GF UL 94 V-0, GREEN
3. = CRITICAL DIMENSION: SPC



THIS DRAWING MAY NOT BE COPIED OR REPRODUCED IN ANY WAY, AND MAY NOT BE PASSED ON TO A THIRD PARTY WITHOUT WRITTEN PERMISSION.
 OWNERSHIP AND COPYRIGHT OF CONEC GMBH DO NOT ALTER CAD DRAWING BY HAND

rev.	description	date	name

2001	date	name
drawn	27.02.	Parej
appl.	27.02.	E. Mickenbecker
norm		
d-old		

tolerance: SEE NOTES

material: SEE NOTES

scale: 2:1 (5:1)

fitte: SEE NOTES

D-SUB COMBINATION FEMALE
3W3CS

dwg no: 13K1A196A
 DIN-A 3
 ish: 1/1
 part no: 303W3CSXX99A10X



F 1 2 3 4 5 6 7 8

F 1 2 3 4 5 6 7 8