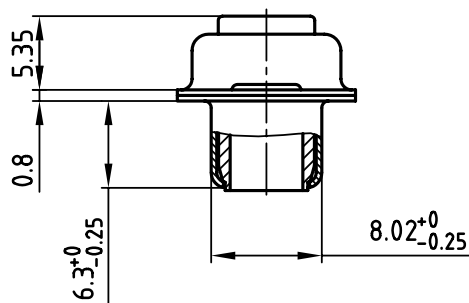
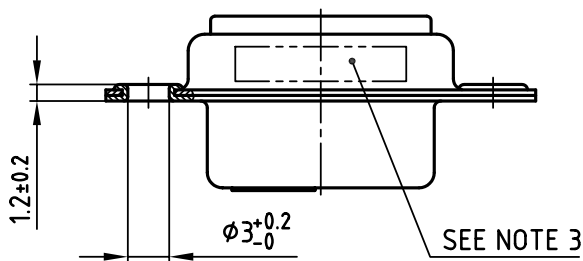
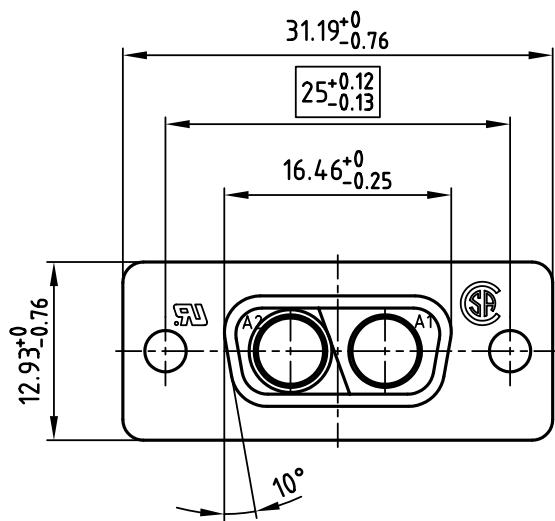


used for: D-SUB COMBINATION



Directive 2002/95/EC
„RoHS“
Compliant

APPROVAL # FREIGABE # DEBLOCAGE # AUTORIZACION # APPROVAL	
CUSTOMER APPROVAL DATE:	
NAME:	TITLE:
COMPANY NAME:	
APPROVAL # FREIGABE # DEBLOCAGE # AUTORIZACION # APPROVAL	

NOTES:

1. METALSHELLS: STEEL: TIN PLATED
2. INSULATORS: PBT GF UL 94 V-0; GREEN
3. CONNECTOR IS PART MARKED: PART-NO. CONEC Y/WW
4. = CRITICAL DIMENSION

THIS DRAWING MAY NOT BE COPIED OR REPRODUCED IN ANY WAY, AND MAY NOT BE PASSED ON TO A THIRD PARTY WITHOUT WRITTEN PERMISSION.
 OWNERSHIP AND COPYRIGHT OF CONEC GmbH
 DO NOT ALTER CAD DRAWING BY HAND

tolerance			scale: 2:1	
dim. in mm			material: SEE NOTES	
1998	date	title:		
drawn	17.09.	D-SUB COMBINATION FEMALE		
appd.	17.09.	2W2CS WITHOUT CONTACTS		
norm		dwg no: AutoCAD/REL.13 DIN-A		
d-old		4		
		sh: 1/1		
		part no: 302W2CSXX99A10X		
rev.	description	date	name	



tolerance			scale: 2:1	
dim. in mm			material: SEE NOTES	
1998	date	title:		
drawn	17.09.	D-SUB COMBINATION FEMALE		
appd.	17.09.	2W2CS WITHOUT CONTACTS		
norm		dwg no: AutoCAD/REL.13 DIN-A		
d-old		4		
		sh: 1/1		
		part no: 302W2CSXX99A10X		
rev.	description	date	name	