

|                 |               |                                  |                         |
|-----------------|---------------|----------------------------------|-------------------------|
| FRONT ACCESSORY | Blank without | L insert M3<br>O insert UNC 4.40 | V Female screw UNC 4-40 |
| PCB ACCESSORIES | A without     | A without                        | A without               |

| PART NUMBER   | FRONT ACCESSORY       | PCB ACCESSORY |
|---------------|-----------------------|---------------|
| D*xW xSA00LF  | WITHOUT               | WITHOUT       |
| D*vW xSA00LF  | Female screw UNC 4-40 | WITHOUT       |
| D*LxW xSA00LF | Insert M3             | WITHOUT       |
| D*OxW xSA00LF | Insert UNC 4-40       | WITHOUT       |

shell size LAYOUTS

|   |     |
|---|-----|
| E | 2V2 |
| A | 3V3 |
| A | 3W3 |
| B | 5W5 |
| C | 8W8 |

SCALE:4

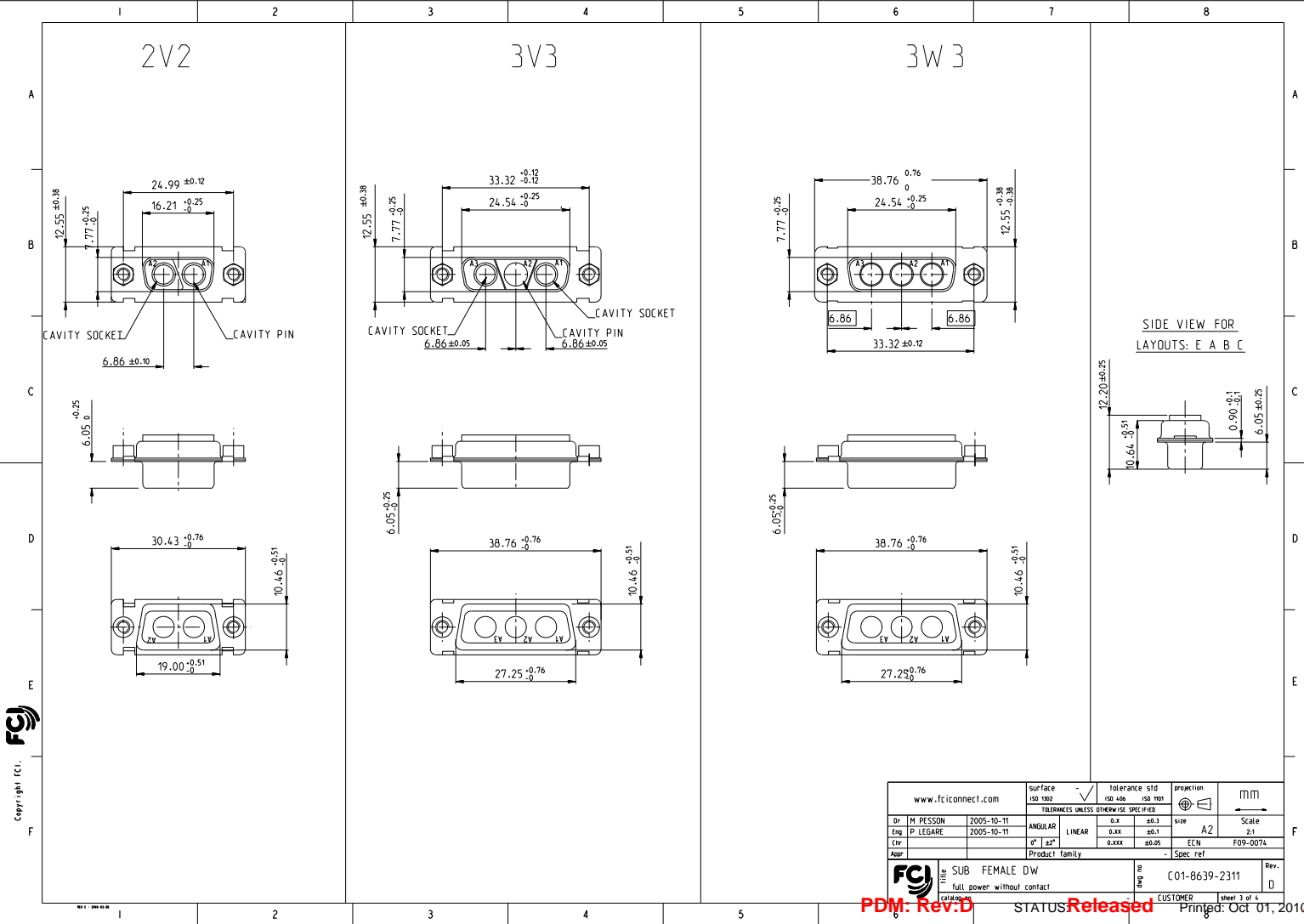
|                                       |            |                     |                                   |                  |
|---------------------------------------|------------|---------------------|-----------------------------------|------------------|
| www.fciconnect.com                    |            | surface<br>ISO 1302 | tolerance std<br>ISO 406 ISO 1101 | projection<br>mm |
| TOLERANCES UNLESS OTHERWISE SPECIFIED |            | 0.1                 | 0.3                               | 0.1              |
| Dr: M PESSON                          | 2005-10-11 | ANGULAR             | LINEAR                            | 0.1X 0.1         |
| Eng: P LEGARE                         | 2005-10-11 | 0.2                 | 0.25                              | 0.05             |
| Chr:                                  |            | 0.2                 | 0.25                              | 0.05             |
| Appr:                                 |            |                     |                                   |                  |
| Product family                        |            |                     |                                   | Spec ref         |

|                            |               |      |
|----------------------------|---------------|------|
| FCI                        | SUB FEMALE DW | Rev. |
| full power without contact |               | D    |
| CUSTOMER                   | C01-8639-2311 |      |

PDM: Rev.D

STATUS Released

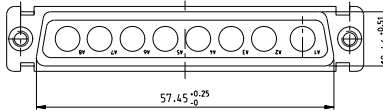
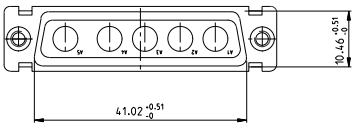
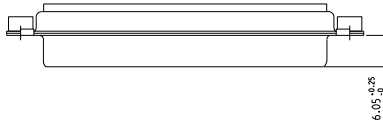
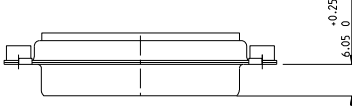
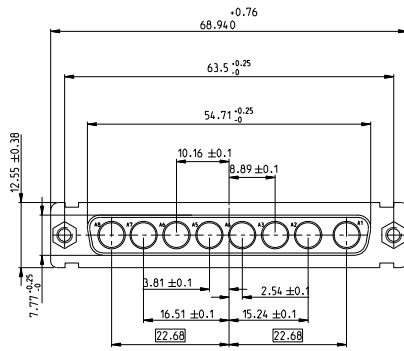
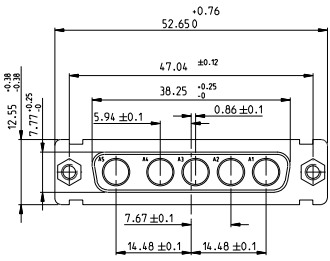
Printed: Oct 01, 2010



|                                       |            |                            |                                   |                        |              |
|---------------------------------------|------------|----------------------------|-----------------------------------|------------------------|--------------|
| www.fciconnect.com                    |            | surface<br>ISO 1302        | tolerance std<br>ISO 406 ISO 1101 | projection<br>ISO 1001 | mm           |
| TOLERANCES UNLESS OTHERWISE SPECIFIED |            |                            |                                   |                        |              |
| Dr. M. PESSON                         | 2005-10-11 | ANGULAR                    | 0.X                               | 80.3                   | 6140         |
| Eng. P. LEGARE                        | 2005-10-11 | LINEAR                     | 0.3XX                             | 80.1                   | A2           |
| ECN                                   |            | °                          | 0.2XX                             | 80.05                  | ECN F09-0074 |
| Appr.                                 |            | Product family             |                                   |                        | Spec ref     |
| FCI SUB FEMALE DW                     |            | full power without contact |                                   | 01-8639-2311           | Rev. D       |

5W 5

8W 8



Copyright FCI

|                                       |            |                     |                          |                        |          |
|---------------------------------------|------------|---------------------|--------------------------|------------------------|----------|
| www.fciconnect.com                    |            | surface<br>ISO 1302 | tolerance std<br>ISO 406 | projection<br>ISO 1101 | mm       |
| TOLERANCES UNLESS OTHERWISE SPECIFIED |            |                     |                          |                        |          |
| DR: M PESSON                          | 2005-10-11 | ANGULAR             | 0.X                      | 80.3                   | 6149     |
| Eng: P LEGARE                         | 2005-10-11 | LINEAR              | 0.XX                     | 80.1                   | A2       |
| Chr:                                  |            | °                   | 0.XXX                    | 80.05                  | ECN      |
| Appr:                                 |            | Product family      |                          |                        | FD9-0074 |
|                                       |            |                     |                          |                        | Spec ref |

|                            |               |              |
|----------------------------|---------------|--------------|
| FCI                        | Sub FEMALE DW | Rev. D       |
| Full power without contact |               |              |
|                            | C01-8639-2311 |              |
|                            | CUSTOMER      | Sheet 4 of 4 |

PDM: Rev.D STATUS Released CUSTOMER Printed: Oct 01, 2010