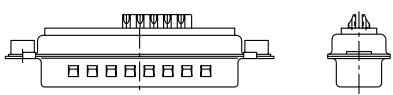
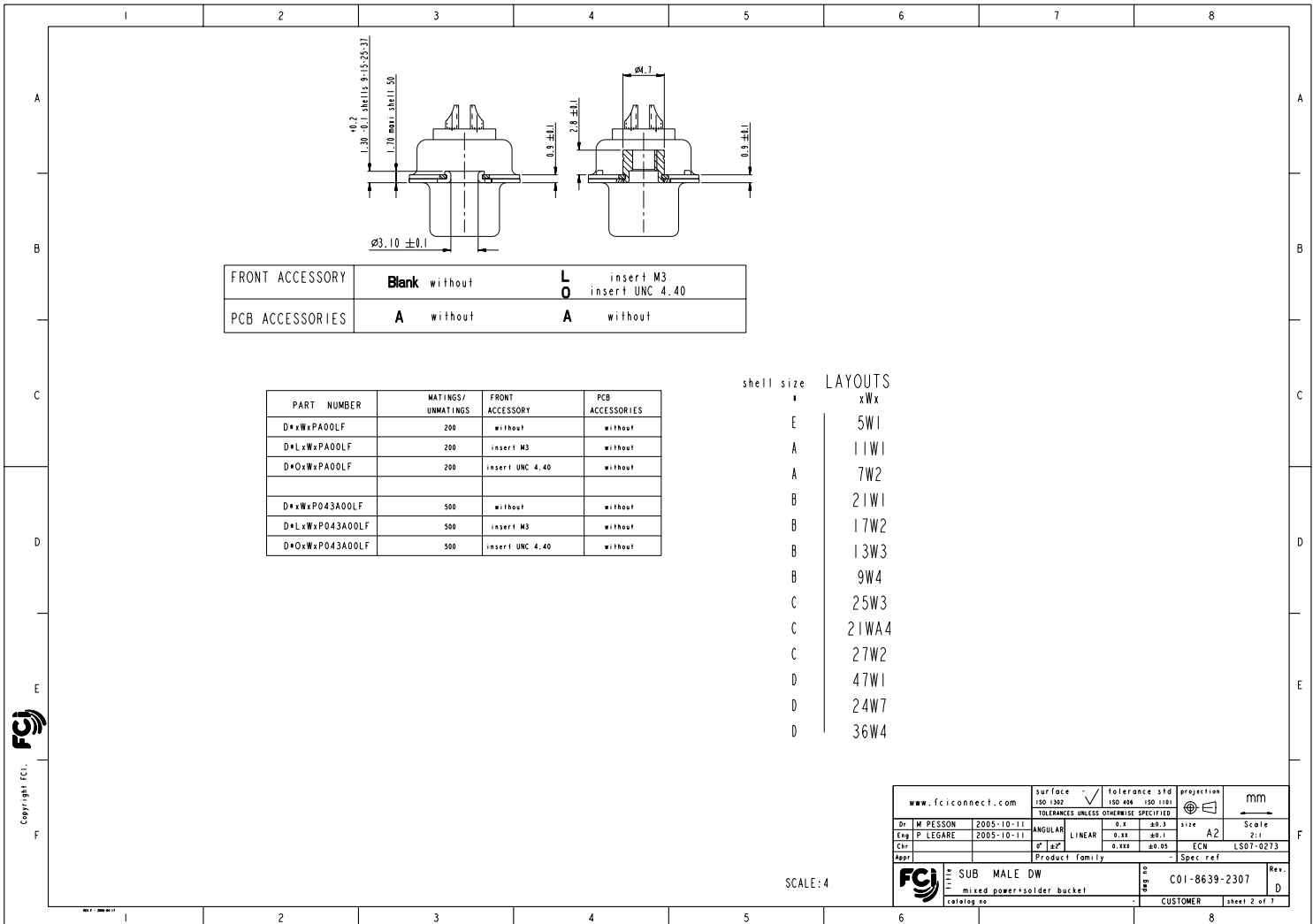


| | | | | | | | | | | | | | | | | | | | | | | | | | | | | | | | | | | | | | | | | | | | | | | | | | | | | | | | | | | | | | | | | | | | | |
|---|---|---------------------------------------|----------------|--------------|---------------|--|--|---|--------------------|--|---------|---------------|------------|----|--|--|----------|---------|----------|--|--|--|---------------------------------------|--|--|--|----|----------|------------|---------|-----|-----|-----|----------|------------|--------|------|-----|-----|--|--|----|------|------|------|--|--|----------------|--|------------|------------|--|-------------|--|----|---------------|--|--|---------------------------|--|--|--|------------|--|----------|--|--------------|--|
| | | | | | | | | | | | | | | | | | | | | | | | | | | | | | | | | | | | | | | | | | | | | | | | | | | | | | | | | | | | | | | | | | | | | |
| <p>REFERENCE SPECIFICATIONS</p> <p>-MFC 93425 (in compliance with HE 507)</p> <p>PHYSICAL CHARACTERISTICS</p> <p>-INSULATOR MATERIAL: THERMOPLASTIC UL94V0</p> <p>-CONTACT MATERIAL: BRASS</p> <p>-ACCESSORIES: BRASS</p> <p>-SHELLS: STEEL</p> <p>ELECTRICAL CHARACTERISTICS</p> <p>-NOMINAL CURRENT: 7.5A</p> <p>-CONTACT RESISTANCE: <= 7.3 m ohms</p> <p>-CONTACT/CONTACT : >=1000 V</p> <p>-CONTACT/GROUND : >=1200 V</p> <p>-INSULATION RESISTANCE: >=5000 MOhms</p> <p>ENVIRONMENTAL CHARACTERISTICS</p> <p>- CLIMATIC CATEGORY: 55/125/21</p> <p style="margin-left: 40px;">TEMPERATURE RANGE -55°C TO +125°C</p> <p style="margin-left: 40px;">DAMP HEAT STEADY STATE 21 DAYS</p> <p style="margin-left: 40px;">SALT SPRAY 48 HOURS</p> <p>MECHANICAL CHARACTERISTICS</p> <p>RETENTION AGAINST TORQUE: - Threaded insert: 0.7 N.m minimum</p> <p style="margin-left: 40px;">- Female screw : 0.5 N.m minimum</p> <p>NOTE RoHS INFORMATION</p> <ul style="list-style-type: none"> - The "LF" products meet european union Directives and other country regulations as described in GS-22-008. - Termination plating spec: Ni + Gold - Active area plating spec: Ni + Gold - Shell plating :2 to 4µm Cu + Ni + 3 to 10µm Sn,pure bright - Accessories: Sn pure bright + nickel - Packaging spec: See GS-14-920 | <h1 style="margin: 0;">Series ← DBL13W3P043A00LF</h1> <p>Shell size: E A B C D ← see sheet 3</p> <p>Front accessory definition ← see sheet 2</p> <p>Blank :without accessory L :threaded insert M3 O :threaded insert UNC 4-40</p> <p>Layout of contacts (see sheet 3) ←</p> <p>Contacts ← P :Pin</p> <p>Plating ←</p> <p>Blank signal solder bucket 200 matings/unmatings O43 signal solder bucket 500 matings/unmatings</p> <p>PCB accessory definition ←</p> <p>A without accessory on PCB</p> <p>Power contacts ←</p> <p>00 without power contact</p> <p style="text-align: right;">See note RoHS</p> | | | | | | | | | | | | | | | | | | | | | | | | | | | | | | | | | | | | | | | | | | | | | | | | | | | | | | | | | | | | | | | | | | | |
| <p style="writing-mode: vertical-rl; transform: rotate(180deg);">Copyright ECI</p> <p style="font-size: 24px; font-weight: bold; margin: 0;">FCI</p> | <p>13W3 FOR EXAMPLE</p>  | | | | | | | <table border="1" style="width:100%; border-collapse: collapse; font-size: 8px;"> <tr> <td colspan="2">www.fciconnect.com</td> <td>surface</td> <td>tolerance std</td> <td>projection</td> <td>mm</td> </tr> <tr> <td colspan="2"></td> <td>ISO 1302</td> <td>ISO 406</td> <td>ISO 1101</td> <td></td> </tr> <tr> <td colspan="2"></td> <td colspan="3">TOLERANCES UNLESS OTHERWISE SPECIFIED</td> <td></td> </tr> <tr> <td>Dr</td> <td>M PESSON</td> <td>2005-10-11</td> <td>ANGULAR</td> <td>0.1</td> <td>0.3</td> </tr> <tr> <td>Eng</td> <td>P LEGARE</td> <td>2005-10-11</td> <td>LINEAR</td> <td>0.1x</td> <td>0.1</td> </tr> <tr> <td>Clw</td> <td></td> <td></td> <td>0°</td> <td>0.1x</td> <td>0.05</td> </tr> <tr> <td>Appr</td> <td></td> <td></td> <td colspan="2">Product family</td> <td>- Spec ref</td> </tr> <tr> <td colspan="2" style="text-align: center;">FCI</td> <td colspan="2">SUB MALE DW</td> <td>01</td> <td>C01-8639-2307</td> </tr> <tr> <td colspan="2"></td> <td colspan="2">mixed power+solder bucket</td> <td></td> <td></td> </tr> <tr> <td colspan="2">catalog no</td> <td colspan="2">CUSTOMER</td> <td colspan="2">sheet 1 of 7</td> </tr> </table> | www.fciconnect.com | | surface | tolerance std | projection | mm | | | ISO 1302 | ISO 406 | ISO 1101 | | | | TOLERANCES UNLESS OTHERWISE SPECIFIED | | | | Dr | M PESSON | 2005-10-11 | ANGULAR | 0.1 | 0.3 | Eng | P LEGARE | 2005-10-11 | LINEAR | 0.1x | 0.1 | Clw | | | 0° | 0.1x | 0.05 | Appr | | | Product family | | - Spec ref | FCI | | SUB MALE DW | | 01 | C01-8639-2307 | | | mixed power+solder bucket | | | | catalog no | | CUSTOMER | | sheet 1 of 7 | |
| www.fciconnect.com | | surface | tolerance std | projection | mm | | | | | | | | | | | | | | | | | | | | | | | | | | | | | | | | | | | | | | | | | | | | | | | | | | | | | | | | | | | | | | | |
| | | ISO 1302 | ISO 406 | ISO 1101 | | | | | | | | | | | | | | | | | | | | | | | | | | | | | | | | | | | | | | | | | | | | | | | | | | | | | | | | | | | | | | | | |
| | | TOLERANCES UNLESS OTHERWISE SPECIFIED | | | | | | | | | | | | | | | | | | | | | | | | | | | | | | | | | | | | | | | | | | | | | | | | | | | | | | | | | | | | | | | | | | |
| Dr | M PESSON | 2005-10-11 | ANGULAR | 0.1 | 0.3 | | | | | | | | | | | | | | | | | | | | | | | | | | | | | | | | | | | | | | | | | | | | | | | | | | | | | | | | | | | | | | | |
| Eng | P LEGARE | 2005-10-11 | LINEAR | 0.1x | 0.1 | | | | | | | | | | | | | | | | | | | | | | | | | | | | | | | | | | | | | | | | | | | | | | | | | | | | | | | | | | | | | | | |
| Clw | | | 0° | 0.1x | 0.05 | | | | | | | | | | | | | | | | | | | | | | | | | | | | | | | | | | | | | | | | | | | | | | | | | | | | | | | | | | | | | | | |
| Appr | | | Product family | | - Spec ref | | | | | | | | | | | | | | | | | | | | | | | | | | | | | | | | | | | | | | | | | | | | | | | | | | | | | | | | | | | | | | | |
| FCI | | SUB MALE DW | | 01 | C01-8639-2307 | | | | | | | | | | | | | | | | | | | | | | | | | | | | | | | | | | | | | | | | | | | | | | | | | | | | | | | | | | | | | | | |
| | | mixed power+solder bucket | | | | | | | | | | | | | | | | | | | | | | | | | | | | | | | | | | | | | | | | | | | | | | | | | | | | | | | | | | | | | | | | | | |
| catalog no | | CUSTOMER | | sheet 1 of 7 | | | | | | | | | | | | | | | | | | | | | | | | | | | | | | | | | | | | | | | | | | | | | | | | | | | | | | | | | | | | | | | | |
| | | | | | | | | | | | | | | | | | | | | | | | | | | | | | | | | | | | | | | | | | | | | | | | | | | | | | | | | | | | | | | | | | | | | |



| | | | |
|-----------------|----------------------|--------------------|-----------------|
| FRONT ACCESSORY | Blank without | L insert M3 | insert UNC 4.40 |
| PCB ACCESSORIES | A without | A without | |

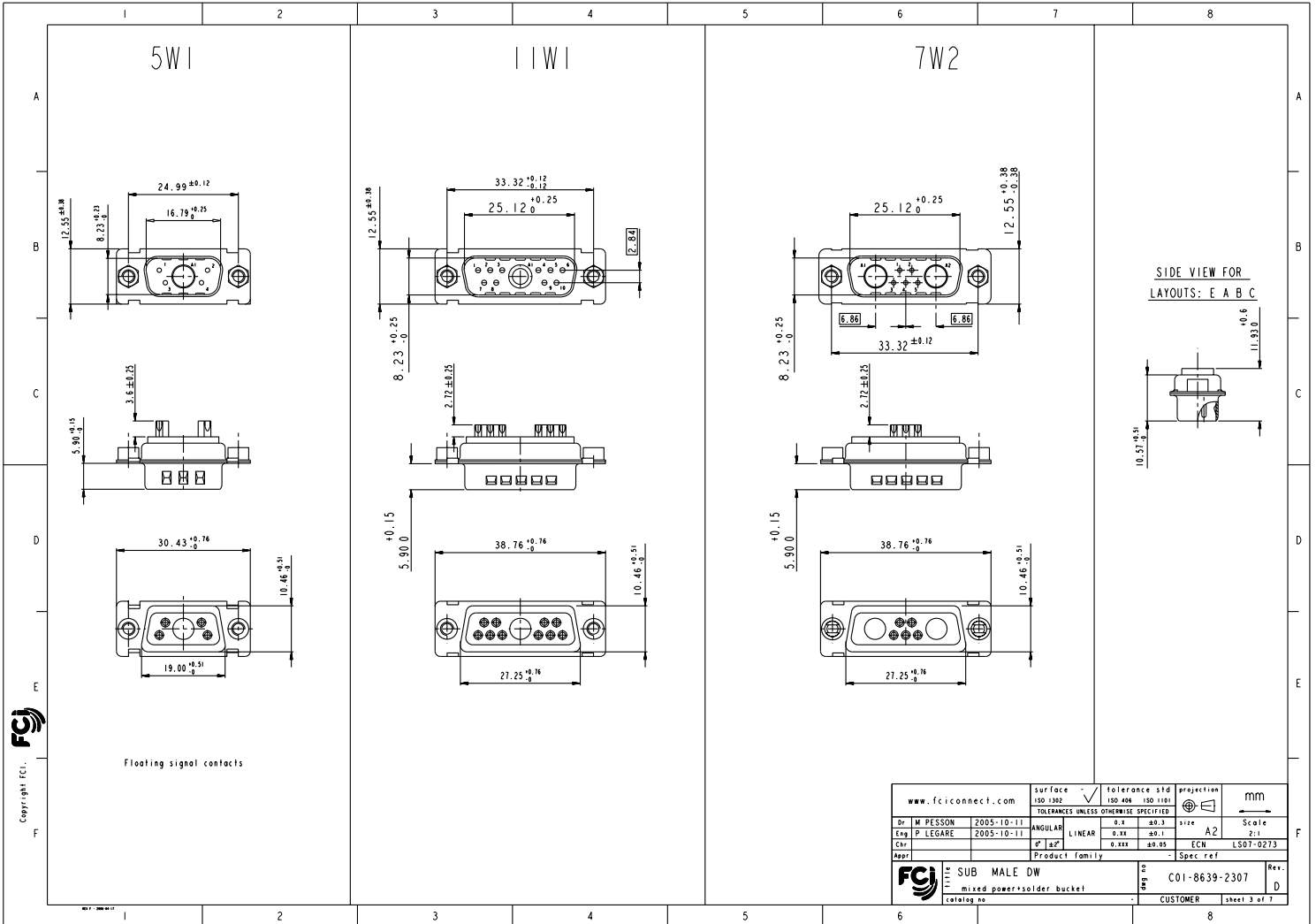
| PART NUMBER | MATINGS/ UNMATINGS | FRONT ACCESSORY | PCB ACCESSORIES |
|-----------------|-----------------------|--------------------|--------------------|
| D*xWxPA00LF | 200 | without | without |
| D*LxWxPA00LF | 200 | insert M3 | without |
| D*OxWxPA00LF | 200 | insert UNC 4.40 | without |
| D*xWxP043A00LF | 500 | without | without |
| D*LxWxP043A00LF | 500 | insert M3 | without |
| D*OxWxP043A00LF | 500 | insert UNC 4.40 | without |

| shell size | LAYOUTS |
|------------|---------|
| E | 5W1 |
| A | 11W1 |
| A | 7W2 |
| B | 21W1 |
| B | 17W2 |
| B | 13W3 |
| B | 9W4 |
| C | 25W3 |
| C | 21WA4 |
| C | 27W2 |
| D | 47W1 |
| D | 24W7 |
| D | 36W4 |

Copyright FCI

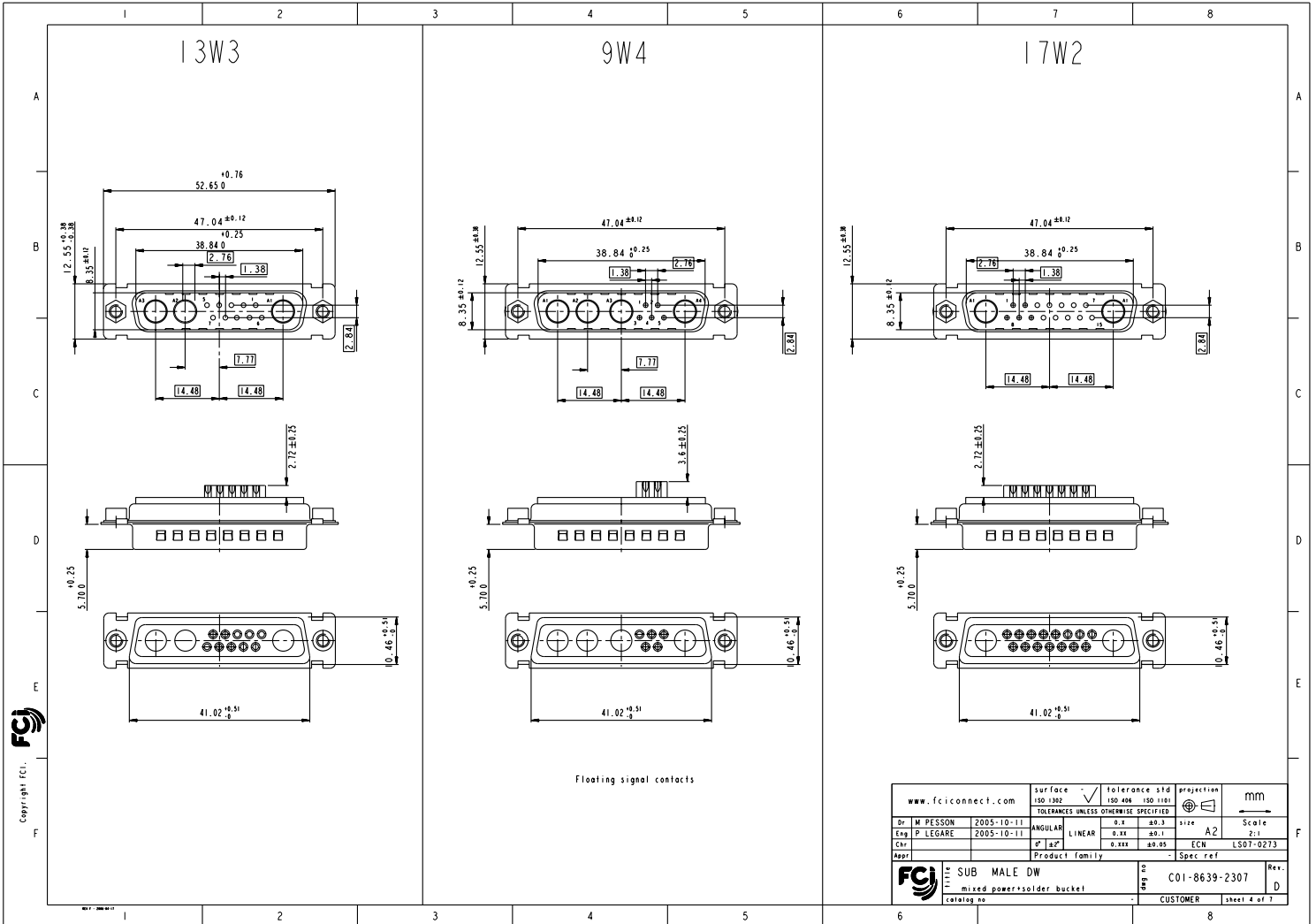
| | | | | | |
|---------------------------|----------|---------------------------------------|------------------|--------------|-----------|
| www.fciconnect.com | | surface | tolerance std | projection | mm |
| | | ISO 1302 | ISO 406 ISO 1101 | | |
| | | TOLERANCES UNLESS OTHERWISE SPECIFIED | | | |
| Dr | M PESSON | 2005-10-11 | ANGULAR | 0.1 0.3 | size A2 |
| Eng | P LEGARE | 2005-10-11 | LINEAR | 0.1x 0.1 | Scale 2:1 |
| Chr | | | 0.1x 0.05 | ECN | LS07-0273 |
| Appr | | | Product family | Spec ref | |
| FCI SUB MALE DW | | REV | C01-8639-2307 | Rev. | D |
| mixed power solder bucket | | catalog no | CUSTOMER | sheet 2 of 7 | |

SCALE: 4

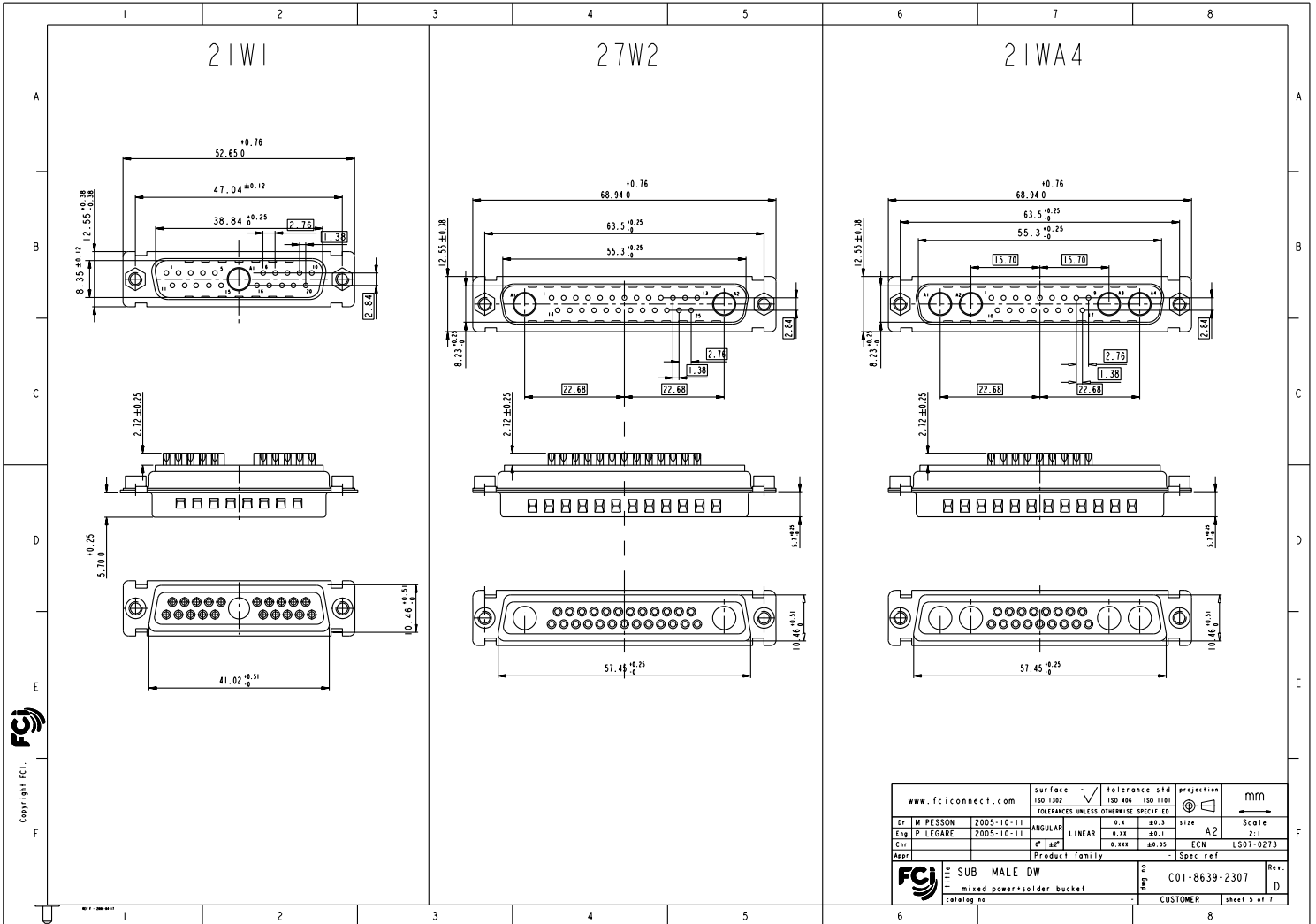


| | | | | | | | | |
|---------------------------|----------|---------------------------------------|----------------|---------------|---------------|--------------|------------|-------|
| www.fciconnect.com | | Surface | ISO 1302 | Tolerance std | ISO 406 | ISO 1101 | Projection | mm |
| | | TOLERANCES UNLESS OTHERWISE SPECIFIED | | | | | | |
| Dr | M PESSON | 2005-10-11 | ANGULAR | 0.X | 0.3 | size | A2 | Scale |
| Eng | P LEGARE | 2005-10-11 | LINEAR | 0.XX | 0.1 | | | 2:1 |
| Chr | | | 0° | 0.XXX | 00.05 | ECN | LS07-0273 | |
| Appr | | | Product family | | | Spec ref | | |
| FCI | | SUB MALE DW | | QTY | C01-8639-2307 | | Rev. | D |
| mixed power+solder bucket | | catalog no | | CUSTOMER | | sheet 3 of 7 | | |

PDM: Rev:D STATUS Released Printed: Oct 01, 2010

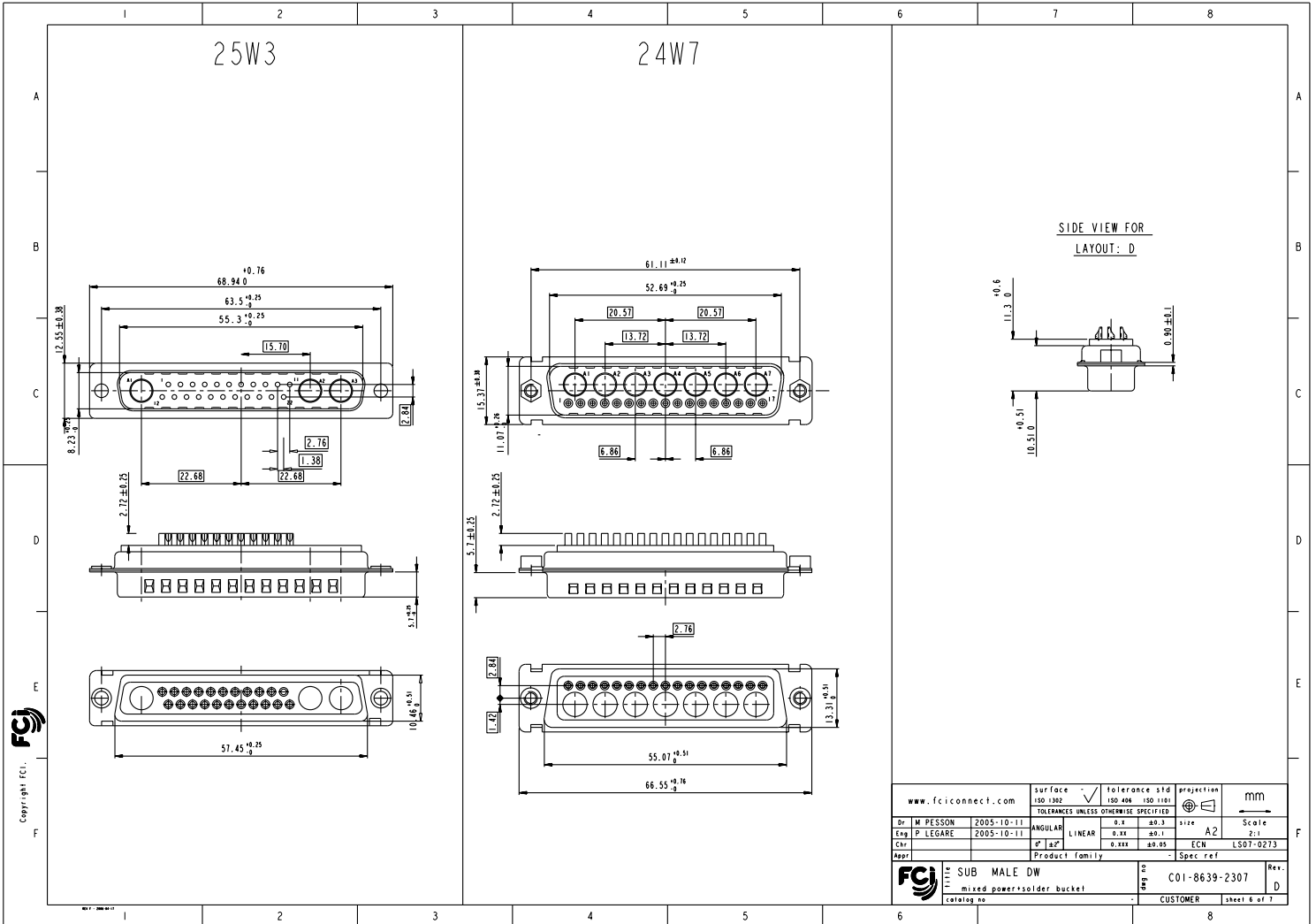


PDM: Rev:D STATUS Released Printed: Oct 01, 2010

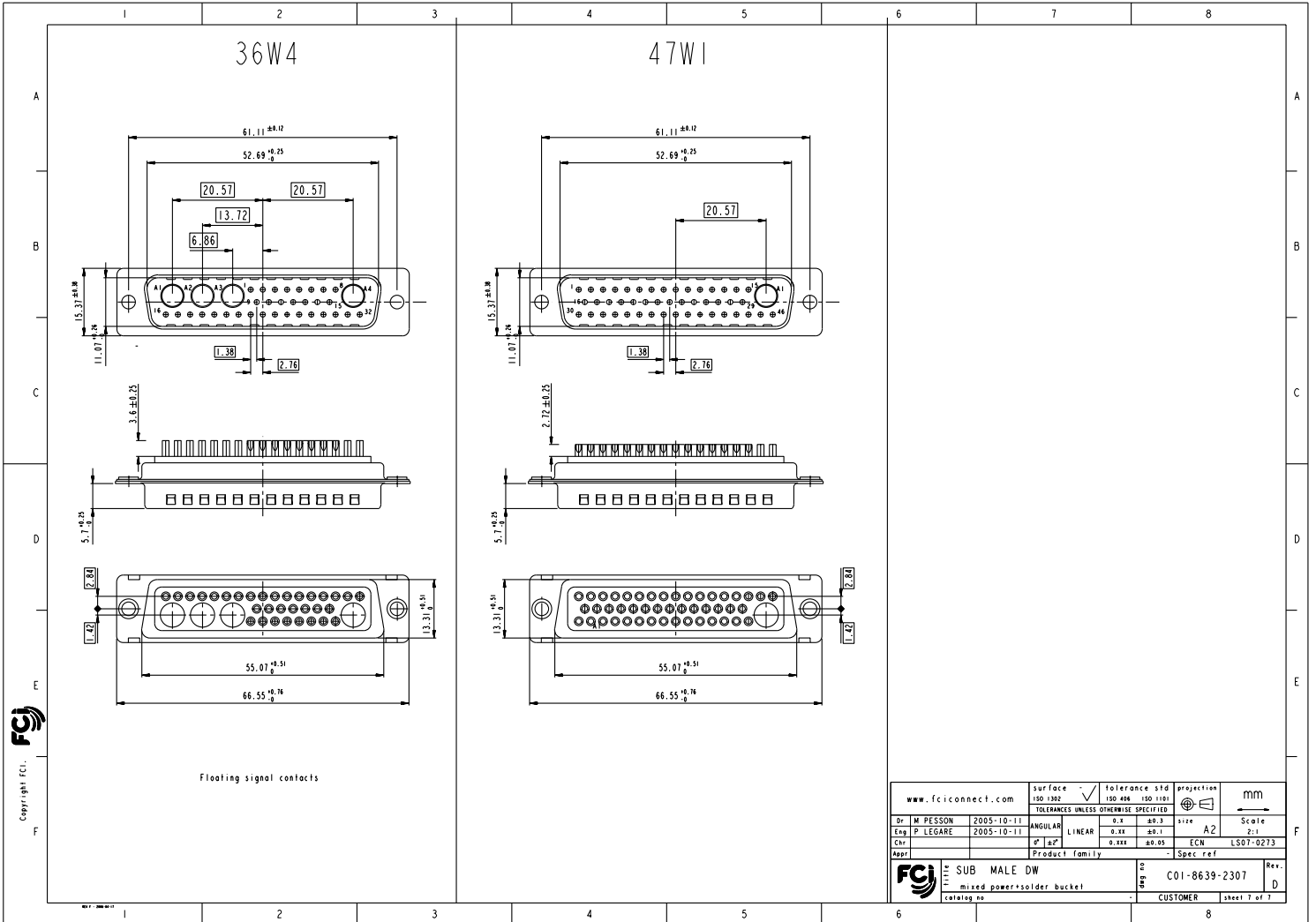


Copyright FCI

| | | | | | |
|--------------------|----------|---------------------------------------|----------------|------------|---------------|
| www.fciconnect.com | | surface | tolerance std | projection | mm |
| | | ISO 1302 | ISO 406 | ISO 1101 | |
| | | TOLERANCES UNLESS OTHERWISE SPECIFIED | | | |
| Dr | M PESSON | 2005-10-11 | ANGULAR | 0.1 | 20.3 |
| Eng | P LEGARE | 2005-10-11 | LINEAR | 0.1X | 20.1 |
| Chr | | | 0.1X | 20.05 | ECN |
| Appr | | | Product family | | Spec ref |
| FCI | | SUB MALE DW | | QTY | C01-8639-2307 |
| | | mixed power+solder bucket | | | Rev. D |
| | | catalog no | | CUSTOMER | sheet 5 of 7 |



PDM: Rev:D STATUS Released Printed: Oct 01, 2010



PDM: Rev:D STATUS Released Printed: Oct 01, 2010