

4

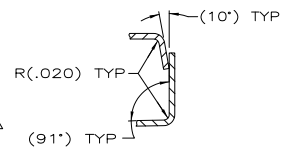
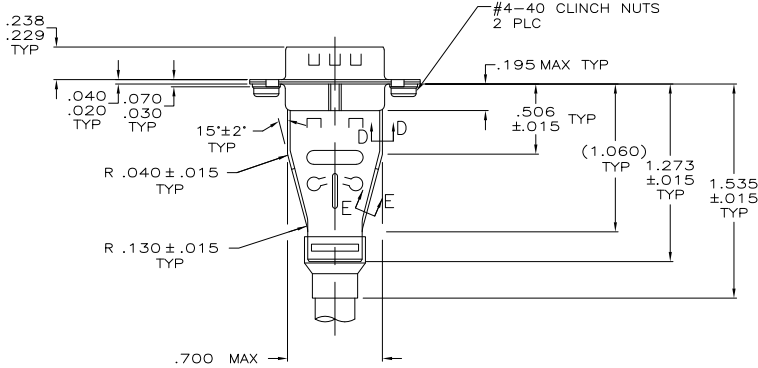
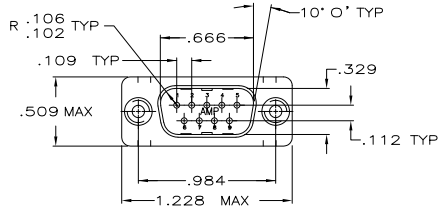
3

2

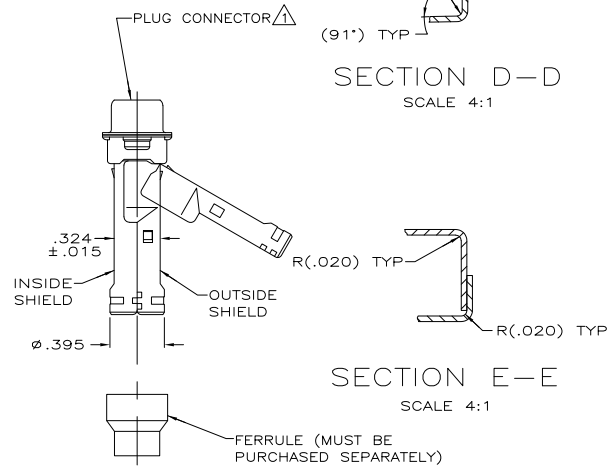
1

THIS DRAWING IS UNPUBLISHED. RELEASED FOR PUBLICATION
 © COPYRIGHT - By - ALL RIGHTS RESERVED.

LOC	DIST	REVISIONS					
GP	00	P	LTR	DESCRIPTION	DATE	BY	APPD
		P		REVISED PER ECO-11-004835	11MAR11	RK	HMR



SECTION D-D
SCALE 4:1



SECTION E-E
SCALE 4:1

- △ PLUG ACCEPTS SIZE 20 PIN CONTACTS (CONTACTS MUST BE ORDERED SEPARATELY).
- 2. ALL PARTS SHIPPED UNASSEMBLED, EACH PART INDIVIDUALLY BULK PACKED.
- △ INSERT: FLAME RETARDANT, 94V-0 RATED, GLASS FILLED NYLON OR POLYESTER, BLACK.
- △ SHELLS & SHIELDS: .000200 MIN TIN PLATE OVER .000100 MIN COPPER UNDERPLATE.
- △ SHELLS & SHIELDS: STEEL PER ASTM A109.

5748526-1
PART NUMBER

THIS DRAWING IS A CONTROLLED DOCUMENT.		DR: C. ATTADIA 11-11-04	TE Connectivity
DIMENSIONS: INCHES		CHK: J. GERACE 11-11-04	
OTHER DIMENSIONS: MILLIMETERS		APP: M. WALMSLEY 11-11-04	
MATERIAL: △ △		PRODUCT SPEC: 108-40005 & 108-40030	NAME: KIT, PLUG, SHIELDING HARDWARE, 9 POSN, SIZE 1, W/CLINCH NUTS, AMPLIMITE HDP-20
FINISH: △		APPLICATION SPEC: 114-40030	SIZE: A2
		WEIGHT: -	CAGE CODE: 00779
		CUSTOMER DRAWING	SCALE: 2:1
			SHEET: 1 of 1
			REV: P