

Series **D xx S 24A 6 xx 09 LF**

Number of contacts
09 , 15 , 25 , 37 , 50

Contacts
S : Socket

Plating
6 : 500 Mating / Unmating Mini

Packaging specification
Tray

See Note RoHS

Termination

Code	Type	Foot Print/Pitch	Length of termination	PCB thickness
24A	Straight version	6 / 2.84mm	2	1.6

Mounting Options

RL	Insert M3
RV	Female Screw UNC 4-40
RX	Insert UNC 4-40

NOTE RoHS INFORMATION

- The "LF" product meet european union Directives and other country regulations as described in GS-22-008.
- The housing will withstand exposure to 260° peak temperature for 30 seconds in a convection , infra-red or vapor reflow oven. See application notes/procedures if are available.
- Termination plating spec: 1.27µ Nickel mini, 2.5 to 7.5µ Sn(pure mate)
- Shell plating : Nickel bright
- Accessories : Sn pure bright
- Packaging spec ; See GS-14-920

Product Specification

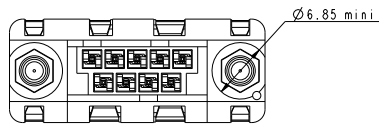
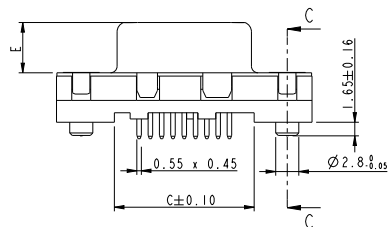
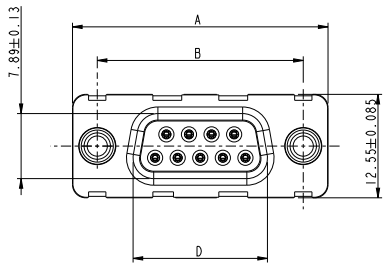
see : GS-12-372

Packaging Specification

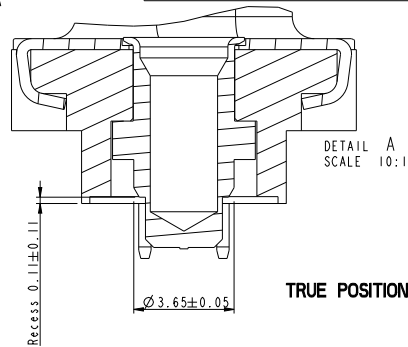
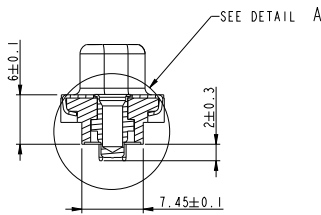
See GS-14-1061

rev	ecn no	dr	date
H	110-0197	NG	2010-10-14
-	-	-	-
-	-	-	-
D	LS06-0220	PCR	2006/12/21
E	LS07-0007	PCR	2007/01/11
F	LS07-0050	HLE	2007/02/03
G	110-0120	NG	2010-05-27

www.fciconnect.com		surface <input checked="" type="checkbox"/> ISO 1302	tolerance std <input checked="" type="checkbox"/> ISO 406 <input type="checkbox"/> ISO 1101	projection	mm
		TOLERANCES UNLESS OTHERWISE SPECIFIED			
Dr	P. CRON	02/02/06	ANGULAR	0.X	±0.3
Eng	H. LEGALLIC	02/02/06	LINEAR	0.XX	±0.1
Chr	NIRMAL G	2010-10-14	0° ±2°	0.XXX	±0.05
Appr	SUDHIR V	2010-10-14	Product family	-	Spec ref
		title SUB DELTA D PIP FEMALE H=2 straight for tray		size A3 ECN 110-0197	Scale 1:1 Rev. H
catalog no		SEE TABLE	dwg no	C01-8646-0879	sheet 1 of 3

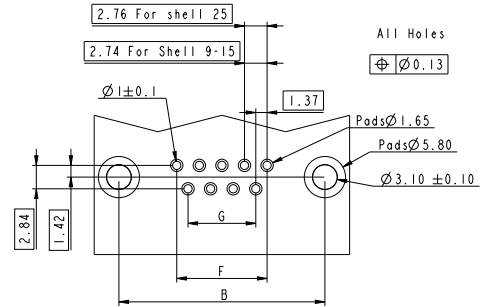


SECTION C-C

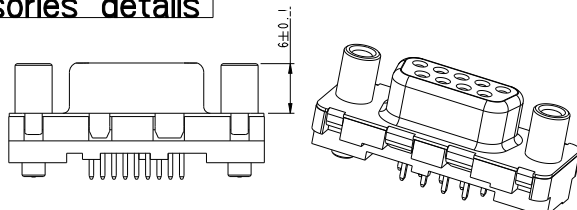
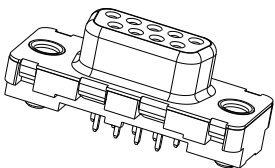


TRUE POSITIONING : $\oplus \text{Ø}0.36$

PCB Card Drilling dimensions and Pads recommended (after plating - Thickness : 160 µm)



Accessories details



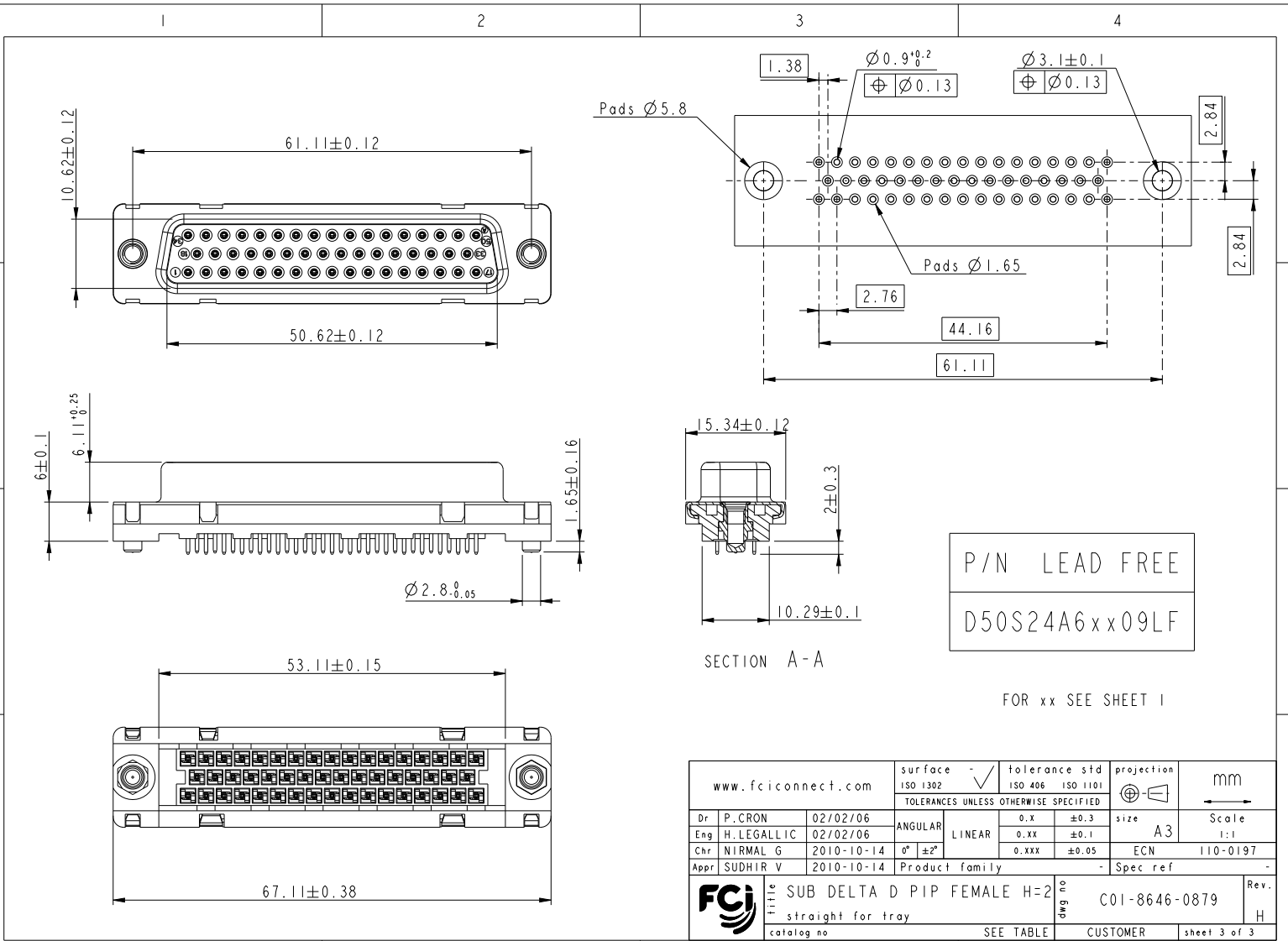
TYPE RX / RL

TYPE RV

SHELL	P/N LEAD FREE	A ±0.38	B ±0.10	C ±0.10	D ±0.25 0	F	G
09	D09S24A6xx09LF	30.81	24.99	16.96	16.21	10.96	8.22
15	D15S24A6xx09LF	39.14	33.32	25.18	24.54	19.18	16.44
25	D25S24A6xx09LF	53.03	47.04	39.12	38.25	33.12	30.36
37	D37S24A6xx09LF	69.32	63.50	55.68	54.71	49.68	46.92

www.fciconnect.com		surface 150 1302	tolerance std 150 406	projection 150 1101	mm
Dr P. CRON 02/02/06		TOLERANCES UNLESS OTHERWISE SPECIFIED		size A2	Scale 1:1
Eng H. LEGALLIC 02/02/06		ANGULAR 0.xx	±0.3	ECN 110-0197	Rev. H
Chr NIRMAL G 2010-10-14		LINEAR 0.xxx	±0.1	Spec ref	sheet 2 of 3
Appr SUDHIR V 2010-10-14		Product family			
FCI SUB DELTA D PIP FEMALE H=2.5mm straight for tray		SEE TABLE	CUSTOMER C01-8646-0879		
REV 1 - 2008-01-17		PDM: Rev:H	STATUS Released	Printed: Jan 18, 2015	

Copyright FCI.



P/N LEAD FREE
D50S24A6 x x 09LF

FOR xx SEE SHEET 1

www.fciconnect.com		surface ISO 1302	tolerance std ISO 406 ISO 1101	projection mm	
		TOLERANCES UNLESS OTHERWISE SPECIFIED		size A3	Scale 1:1
Dr	P. CRON	02/02/06	ANGULAR	0.X	±0.3
Eng	H. LEGALLIC	02/02/06	LINEAR	0.XX	±0.1
Chr	NIRMAL G	2010-10-14	0° ±2°	0.XXX	±0.05
Appr	SUDHIR V	2010-10-14	Product family	ECN	110-0197
Title SUB DELTA D PIP FEMALE H=2 straight for tray				Spec ref	-
FCI		catalog no	SEE TABLE	Part no C01-8646-0879	Rev. H
			CUSTOMER	sheet 3 of 3	

REV F 2006 04-11