

REFERENCE SPECIFICATIONS

-NFC 93425 (in compliance with HE 507)

PHYSICAL CHARACTERISTICS

-INSULATOR MATERIAL: THERMOPLASTIC .UL94V0

-ACCESSORIES: BRASS

-SHELLS: STEEL

ELECTRICAL CHARACTERISTICS

-CONTACT/CONTACT : >=1000 V

-CONTACT/GROUND : >=1200 V

-INSULATION RESISTANCE: >=5000 MOhms

ENVIRONMENTAL CHARACTERISTICS

- CLIMATIC CATEGORY: 55/125/21

TEMPERATURE RANGE -55°C TO +125°C

DAMP HEAT STEADY STATE 21 DAYS

SALT SPRAY 24 HOURS

MECHANICAL CHARACTERISTICS

- RETENTION AGAINST TORQUE: - Threaded insert: 0.7 N.m minimum

- Female screw : 0.5 N.m minimum

NOTE RoHS INFORMATION

- The "LF" products meet european union Directives and other country regulations as described in GS-22-008.
- Shell plating :2 to 4µm Cu+ Ni + 3 to 10µmm Sn(pure bright)
- Accessories: Sn pure bright + nickel
- Packaging spec: See GS-14-920

Series → **DBL5W5SA00LF**

Shell size: E A B C
see sheet 2

Front accessory definition
see sheet 2

- Blank :without accessory
- L : Threaded insert M3
- O : Threaded insert UNC 4-40
- V : Female screw UNC 4-40

Layout of contacts (see sheet 3)

Contacts

S :Socket

PCB accessory definition

A without accessory on PCB

Power contacts

00 without power contact

See note RoHS



www.fciconnect.com		surface	tolerance std	projection	mm
		ISO 1302	ISO 426	ISO 1101	
		TOLERANCES UNLESS OTHERWISE SPECIFIED			
		ANGULAR	0.1	0.3	6149
		LINEAR	0.1X	0.1	A2
		°	0.2XX	0.05	ECN
		Product family			Spec ref

REV	REV NO	DF	DATE
A	1505-0113	MPE	2005-11-28
B	1506-0208	LGO	2006-12-13
C	1507-0273	HR	2007-01-05
D	1509-0074	LSA	2009-05-08

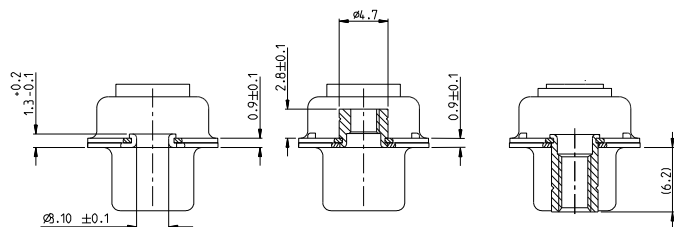
DR	M PESSON	2005-10-11			
ENG	P LEGARE	2005-10-11			
APP					
DESIGN	FCI	DBL5W5SA00LF	SUB FEMALE DW	01-8639-2311	Rev. D
STATUS	Released				

PDM - Rev.D

STATUS Released

CUSTOMER Printed: Oct 01, 2010

Copyright FCI



FRONT ACCESSORY	Blank without	L	insert M3	V	Female screw UNC 4-40
PCB ACCESSORIES	A without	A	without	A	without

PART NUMBER	FRONT ACCESSORY	PCB ACCESSORY
D*xW xSA00LF	WITHOUT	WITHOUT
D*vW xSA00LF	Female screw UNC 4-40	WITHOUT
D*LxW xSA00LF	Insert M3	WITHOUT
D*ØxW xSA00LF	Insert UNC 4-40	WITHOUT

shell size LAYOUTS

- E | 2V2
- A | 3V3
- A | 3W3
- B | 5W5
- C | 8W8

SCALE:4

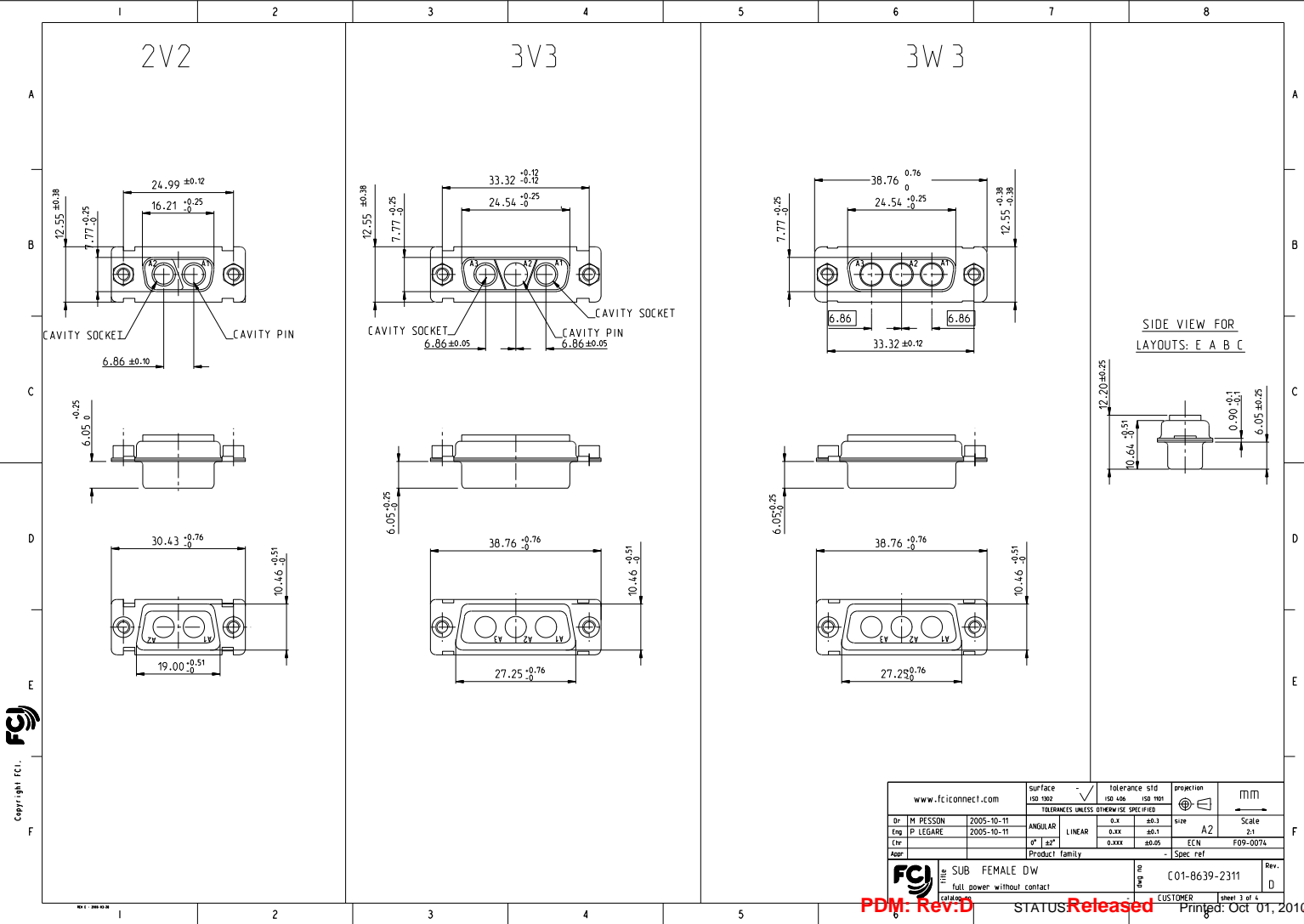
www.fciconnect.com		surface ISO 1302	tolerance std ISO 406	projection ISO 1101	mm
TOLERANCES UNLESS OTHERWISE SPECIFIED		ANGULAR	LINEAR	SCALE	Scale
Dr	M PESSON	2005-10-11	0.1	0.3	1:1
Eng	P LEGARE	2005-10-11	0.1X	0.1	A2
ECN			0.2XX	0.05	ECN
Appr					FD9-0074
Product family				Spec ref	

FCI	SUB FEMALE DW	Rev.
full power without contact		D
CUSTOMER	C01-8639-2311	Sheet 2 of 4

PDM: Rev.D

STATUS Released

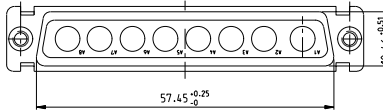
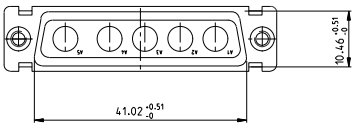
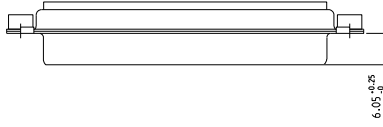
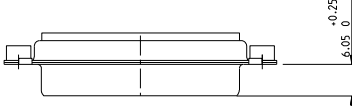
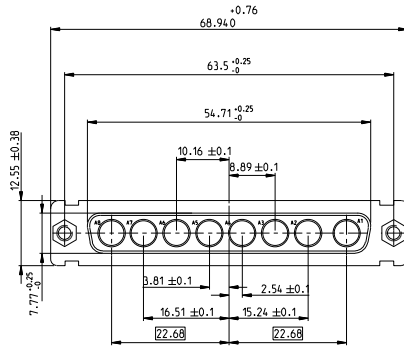
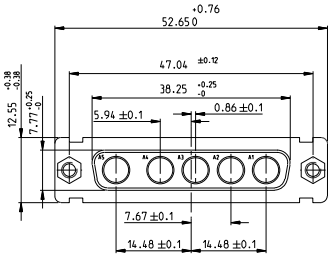
Printed: Oct 01, 2010



www.fciconnect.com		surface ISO 1302	tolerance std ISO 406 ISO 1101	projection ISO 1001	mm
TOLERANCES UNLESS OTHERWISE SPECIFIED					
Dr. M. PESSON	2005-10-11	ANGULAR	0.X	80.3	6140
Eng. P. LEGARE	2005-10-11	LINEAR	0.3XX	80.1	A2
ECN		°	0.2XX	80.05	ECN F09-0074
Appr.		Product family			Spec ref
FCI SUB FEMALE DW		full power without contact		01-8639-2311	Rev. D

5W 5

8W 8



Copyright FCI

www.fciconnect.com		surface ISO 1302	tolerance std ISO 406	projection ISO 1101	mm
		TOLERANCES UNLESS OTHERWISE SPECIFIED			
Dr. M. PESSON	2005-10-11	ANGULAR	0.X	80.3	6140
Eng. P. LEGARE	2005-10-11	LINEAR	0.XX	80.1	A2
Chr.		°	0.XXX	80.05	ECN
Appr.		Product family			FD9-0074
				Spec ref	

FCI	Sub FEMALE DW	Rev.
Full power without contact		D
	C01-8639-2311	

PDM: Rev.D STATUS Released CUSTOMER Printed: Oct 01, 2010