

REFERENCE SPECIFICATIONS

-NFC 93425 (in compliance with HE 507)

PHYSICAL CHARACTERISTICS

-INSULATOR MATERIAL: THERMOPLASTIC UL94V0
 -CONTACT MATERIAL: PHOSPHOR BRONZE

-ACCESSORIES: BRASS
 -SHELLS: STEEL

ELECTRICAL CHARACTERISTICS

-NOMINAL CURRENT: 7.5A
 -CONTACT RESISTANCE: <= 7.3 m ohms
 -CONTACT/CONTACT : >=1000 V
 -CONTACT/GROUND : >=1200 V
 -INSULATION RESISTANCE: >=5000 MOhms

ENVIRONMENTAL CHARACTERISTICS

- CLIMATIC CATEGORY: 55/125/21
 TEMPERATURE RANGE -55°C TO +125°C
 DAMP HEAT STEADY STATE 21 DAYS
 SALT SPRAY 48 HOURS

MECHANICAL CHARACTERISTICS

- RETENTION AGAINST TORQUE: - Threaded insert: 0.7 N.m minimum
 - Female screw : 0.5 N.m minimum

NOTE RoHS INFORMATION

- The "LF" products meet european union Directives and other country regulations as described in GS-22-008.
- Termination plating spec:
 Ni + Gold
- Active area plating spec:
 Ni + Gold
- Shell plating : 2 to 4µm Cu + Nickel + 3 to 10µm Sn.pure bright
- Accessories: Sn pure bright + nickel
- Packaging spec: See GS-14-920

DBL13W3S043A00LF

Series

Shell size: **E A B C D**
 see sheet 2

Front accessory definition
 see sheet 2

- Blank** :without accessory
- L** :threaded insert M3
- O** :threaded insert UNC 4-40

Layout of contacts (see sheet 3)

Contacts

- S** :Socket

Plating

- Blank** signal solder bucket 200 matings/unmatings
- 043** signal solder bucket 500 matings/unmatings

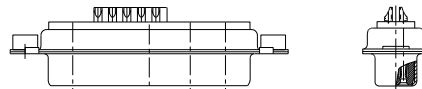
PCB accessory definition

- A** without accessory on PCB

Power contacts

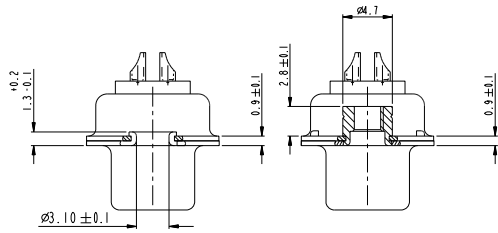
- 00** without power contact

See note RoHS



13W3 FOR EXAMPLE

www.fciconnect.com		surface	tolerance std	projection	mm
		150 1302	150 106 150 1101	⊕	
TOLERANCES UNLESS OTHERWISE SPECIFIED					
Dr	M PESSON	2005-10-11	ANGULAR	0.X	00.3
Eng	P LEGARE	2005-10-11	LINEAR	0.XX	00.1
Chr				0.XXX	00.05
Product family			- Spec.ref		
Rev.	ecn no	dr	date		
A	3305-0101	MPE	2005-10-11		
B	3308-0208	LSO	2006-12-12		
C	3307-0273	MPE	2007/10/31		
D	F10-0013	LSA	2010/07/20		
FCI		SUB FEMALE DW		0	Rev.
catalog no		mixed power+solder bucket		001-8639-2303	D
				CUSTOMER	sheet 1 of 7



FRONT ACCESSORY	Blank	without	L	insert M3
			O	insert UNC 4.40
PCB ACCESSORIES	A	without	A	without

PART NUMBER	MATINGS/ UNMATINGS	FRONT ACCESSORY	PCB ACCESSORIES
D*xWxSA00LF	200	without	without
D*LxWxSA00LF	200	insert M3	without
D*OxWxSA00LF	200	insert UNC 4.40	without
D*xWxS043A00LF	500	without	without
D*LxWxS043A00LF	500	insert M3	without
D*OxWxS043A00LF	500	insert UNC 4.40	without

shell size	LAYOUTS
*	xWx
E	5W1
A	11W1
A	7W2
B	21W1
B	17W2
B	13W3
B	9W4
C	25W3
C	21WA4
C	27W2
D	47W1
D	24W7
D	36W4

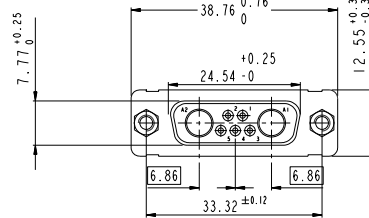
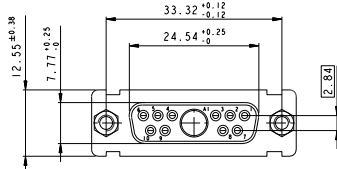
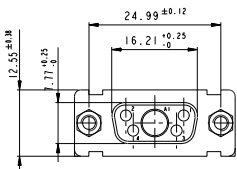
SCALE: 4

www.fciconnect.com		surface <input checked="" type="checkbox"/> ISO 1302	tolerance std <input checked="" type="checkbox"/> ISO 1006 ISO 1101	projection	mm
		TOLERANCES UNLESS OTHERWISE SPECIFIED			
Dr	M PESSON	2005-10-11	ANGULAR	0.1	±0.1
Eng	P LEGARE	2005-10-11	LINEAR	0.xx	±0.1
Chr				0.xxX	±0.05
Appr			Product family	-	Spec ref
	SUB FEMALE DW			C01-8639-2303	Rev.
	mixed power+solder bucket				D
	colalog no			CUSTOMER	sheet 2 of 7

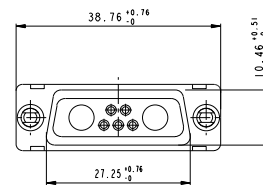
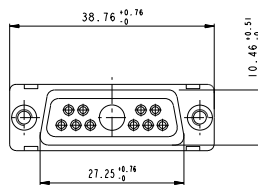
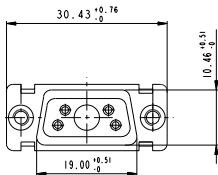
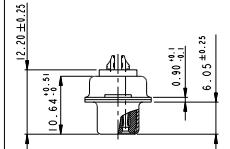
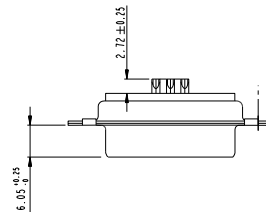
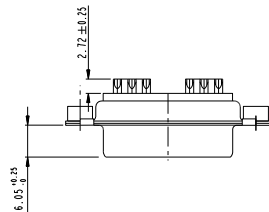
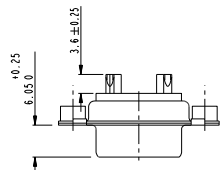
5W1

11W1

7W2



SIDE VIEW FOR LAYOUTS: E A B C



Floating signal contacts

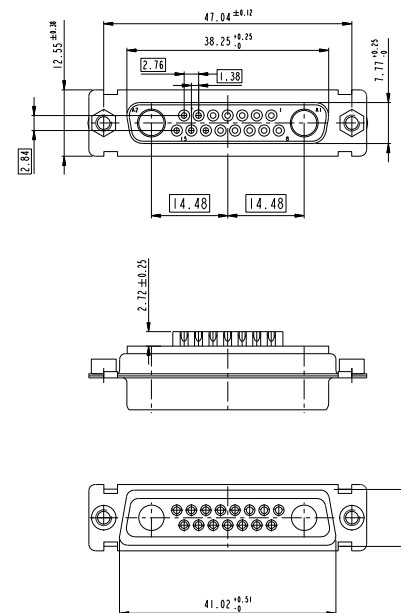
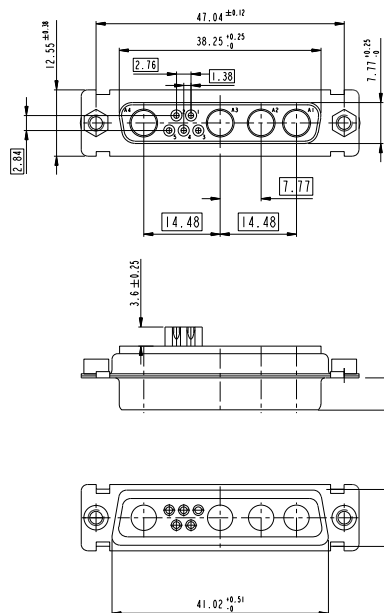
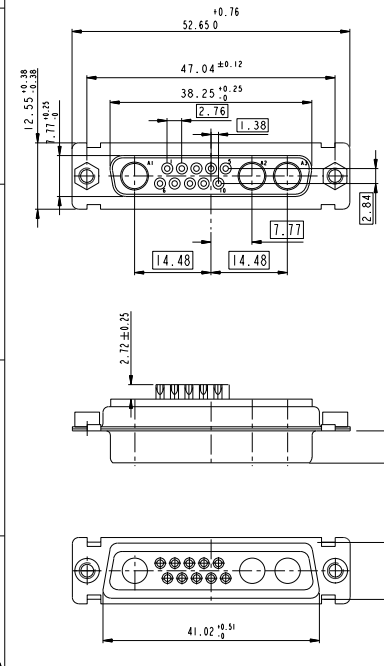
Copyright FCI

www.fciconnect.com		Surface 150 1502	Tolerance std 150 106 150 110	projection	mm
Dr M PESSON 2005-10-11		TOLERANCES UNLESS OTHERWISE SPECIFIED		0.1	0.1
Eng P LEGARE 2005-10-11	ANGULAR	LINEAR	0.1x	0.1	Scale 2:1
Chr	0°	±0°	0.1xX	±0.05	ECN LS07-0273
Appr	Product family		Spec ref		
FCI SUB FEMALE DW mixed power+solder bucket		Rev. no	C01-8639-2303		Rev. D
colalog no		CUSTOMER		sheet 3 of 7	

13W3

9W4

17W2

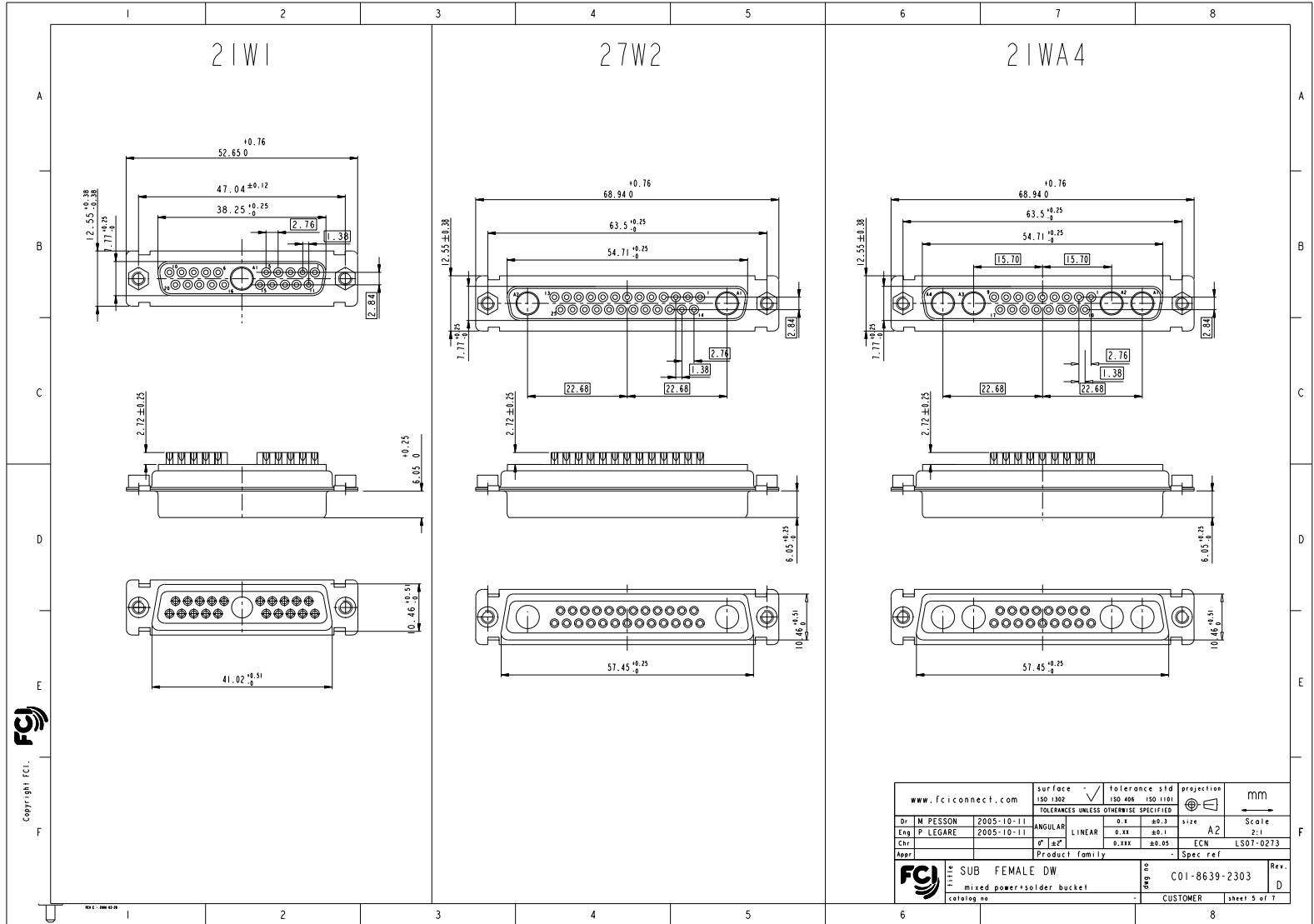


Floating signal contacts

Copyright FCI

www.fciconnect.com		Surface 150 1302	Tolerance std 150 106 150 1101	projection	mm
Dr M PESSON 2005-10-11		TOLERANCES UNLESS OTHERWISE SPECIFIED		Scale	
Eng P LEGARE 2005-10-11	ANGULAR	0.XX	±0.1	Size A2	2:1
Chr	0° ±0°	0.XXX	±0.05	ECN	LS07-0273
Appr	Product family	- Spec ref			
	SUB FEMALE DW	0	0	C01-8639-2303	Rev. D
	mixed power+solder bucket			CUSTOMER	sheet 4 of 7

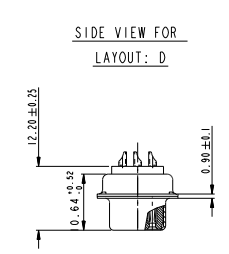
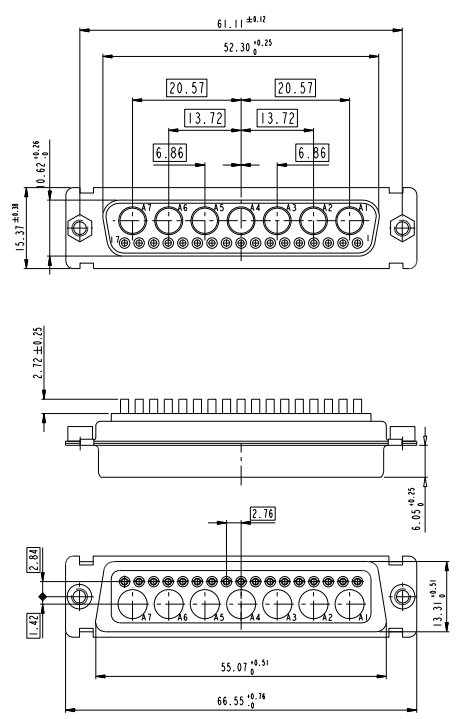
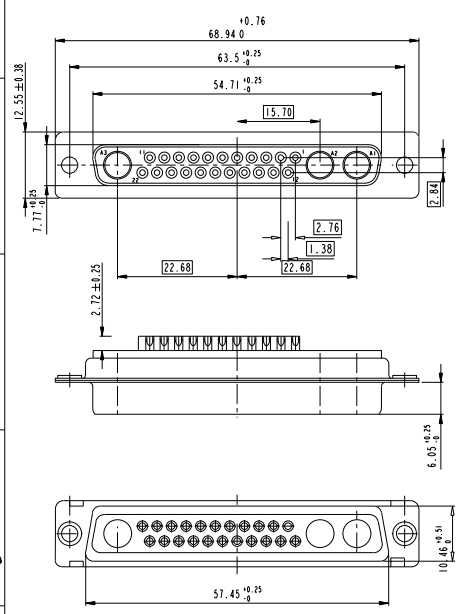
PDM: Rev:D STATUS: Released Printed: Oct 01, 2010



PDM: Rev:D STATUS:Released Printed: Oct 01, 2010

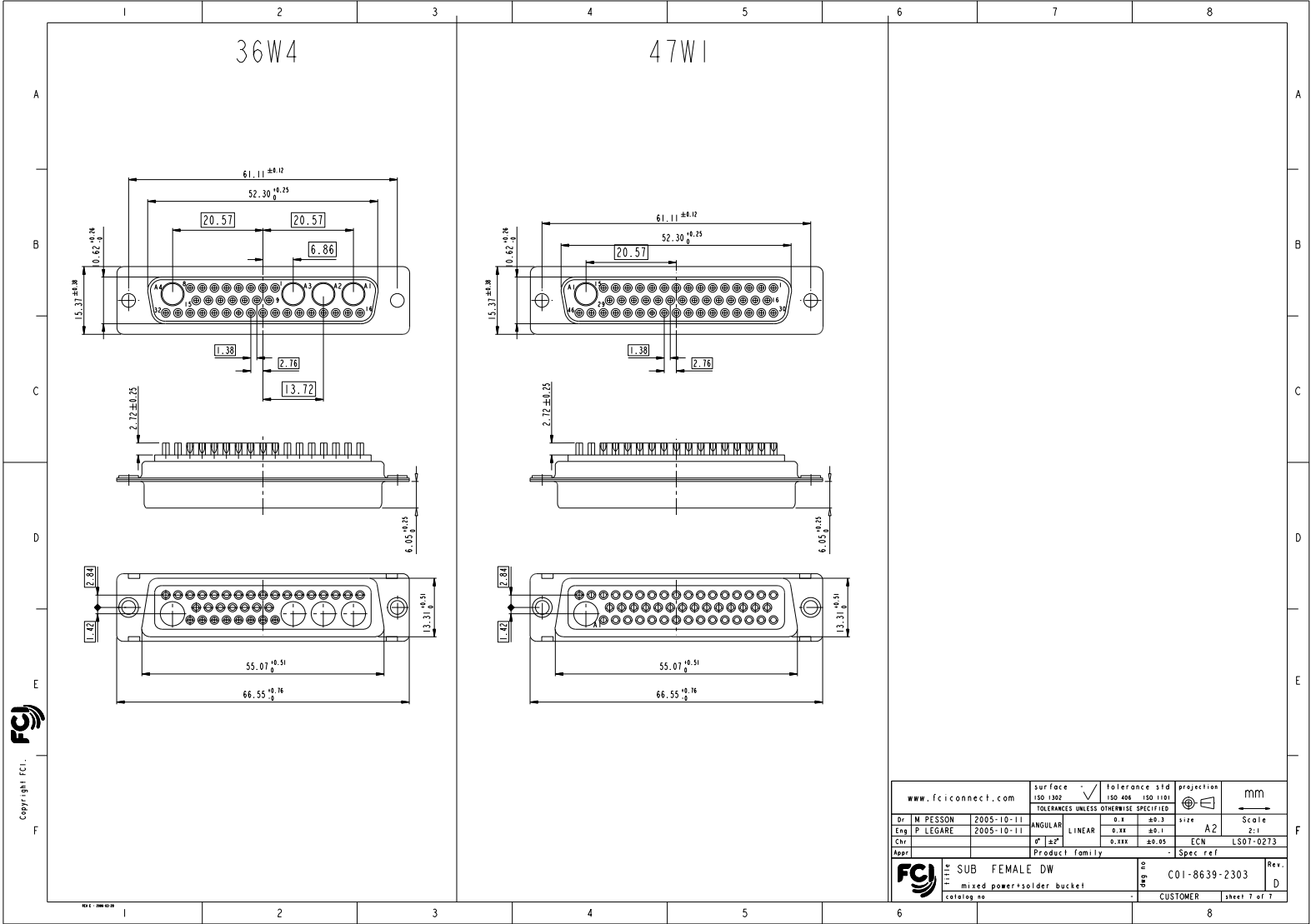
25W3

24W7



Copyright FCI

www.fciconnect.com		surface 150 1502	tolerance std 150 106 150 1101	projection	mm
		TOLERANCES UNLESS OTHERWISE SPECIFIED			
Dr M PESSON	2005-10-11	ANGULAR	0.XX	00.1	Scale 2:1
Eng P LEGARE	2005-10-11	LINEAR	0.XXX	00.05	ECN LS07-0273
Chr		Product family		Spec ref	
FCI SUB FEMALE DW		colog no	CUSTOMER	Rev. D	sheet 6 of 7
		mixed power+solder bucket		C01-8639-2303	



Copyright FCi.

www.fciconnect.com		surface	ISO 1302	tolerance std	ISO 1006 ISO 1101	projection	mm
		TOLERANCES UNLESS OTHERWISE SPECIFIED					
Dr	M PESSON	2005-10-11	ANGULAR	0.1	0.1	size	Scale
Eng	P LEGARE	2005-10-11	LINEAR	0.1x	0.1	A2	2:1
Chr			0° ±0°	0.1x	0.05	ECN	LS07-0273
Appr			Product family	- Spec ref			
FCi		SUB FEMALE DW		0		Rev.	
colalog no		mixed power+solder bucket		C01-8639-2303		D	
		CUSTOMER		sheet 7 of 7			

PDM: Rev:D STATUS:Released Printed: Oct 01, 2010