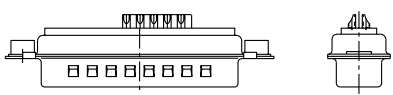
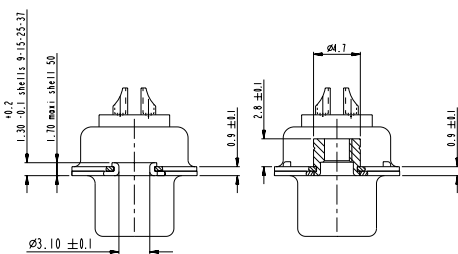


	1	2	3	4	5	6	7	8																																																																												
A	<p><u>REFERENCE SPECIFICATIONS</u></p> <p>-MFC 93425 (in compliance with HE 507)</p> <p><u>PHYSICAL CHARACTERISTICS</u></p> <p>-INSULATOR MATERIAL: THERMOPLASTIC UL94V0</p> <p>-CONTACT MATERIAL: BRASS</p>			<p>Series ← <b>DBL13W3P043A00LF</b></p> <p>Shell size: <b>E A B C D</b> see sheet 3</p> <p>Front accessory definition see sheet 2</p> <p><b>Blank</b> : without accessory <b>L</b> : threaded insert M3 <b>O</b> : threaded insert UNC 4-40</p> <p>Layout of contacts (see sheet 3) ←</p> <p>Contacts <b>P</b> : Pin</p> <p>Plating ←</p> <p><b>Blank</b> signal solder bucket 200 matings/unmatings <b>043</b> signal solder bucket 500 matings/unmatings</p> <p>PCB accessory definition ←</p> <p><b>A</b> without accessory on PCB</p> <p>Power contacts ←</p> <p><b>00</b> without power contact</p> <p>See note RoHS</p>					A																																																																											
B	<p>-ACCESSORIES: BRASS</p> <p>-SHELLS: STEEL</p> <p><u>ELECTRICAL CHARACTERISTICS</u></p> <p>-NOMINAL CURRENT: 7.5A</p> <p>-CONTACT RESISTANCE: &lt;= 7.3 m ohms</p> <p>-CONTACT/CONTACT : &gt;=1000 V</p> <p>-CONTACT/GROUND : &gt;=1200 V</p> <p>-INSULATION RESISTANCE: &gt;=5000 MOhms</p> <p><u>ENVIRONMENTAL CHARACTERISTICS</u></p> <p>- CLIMATIC CATEGORY: 55/125/21</p> <p>TEMPERATURE RANGE -55°C TO +125°C</p> <p>DAMP HEAT STEADY STATE 21 DAYS</p> <p>SALT SPRAY 48 HOURS</p> <p><u>MECHANICAL CHARACTERISTICS</u></p> <p>RETENTION AGAINST TORQUE: - Threaded insert: 0.7 N.m minimum - Female screw : 0.5 N.m minimum</p>								B																																																																											
C	<p><u>NOTE RoHS INFORMATION</u></p> <ul style="list-style-type: none"> <li>- The "LF" products meet european union Directives and other country regulations as described in GS-22-008.</li> <li>- Termination plating spec: Ni + Gold</li> <li>- Active area plating spec: Ni + Gold</li> <li>- Shell plating :2 to 4µm Cu + Ni + 3 to 10µmm Sn,pure bright</li> <li>- Accessories: Sn pure bright + nickel</li> <li>- Packaging spec: See GS-14-920</li> </ul>								C																																																																											
D				<p>13W3 FOR EXAMPLE</p> 					D																																																																											
E				<table border="1"> <tr> <td colspan="2">www.fciconnect.com</td> <td>surface</td> <td>tolerance std</td> <td>projection</td> <td colspan="2">mm</td> </tr> <tr> <td colspan="2"></td> <td>ISO 1302</td> <td>ISO 406</td> <td>ISO 1101</td> <td colspan="2"></td> </tr> <tr> <td colspan="2"></td> <td colspan="5">TOLERANCES UNLESS OTHERWISE SPECIFIED</td> </tr> <tr> <td>Dr</td> <td>M PESSON</td> <td>2005-10-11</td> <td>ANGULAR</td> <td>0.1</td> <td>0.3</td> <td>size A2</td> </tr> <tr> <td>Eng</td> <td>P LEGARE</td> <td>2005-10-11</td> <td>LINEAR</td> <td>0.1x</td> <td>0.1</td> <td>Scale 2:1</td> </tr> <tr> <td>Clw</td> <td></td> <td></td> <td>0° 45°</td> <td>0.1x</td> <td>0.05</td> <td>ECN LS07-0273</td> </tr> <tr> <td>Appr</td> <td></td> <td></td> <td colspan="4">Product family - Spec ref</td> </tr> </table>					www.fciconnect.com		surface	tolerance std	projection	mm				ISO 1302	ISO 406	ISO 1101					TOLERANCES UNLESS OTHERWISE SPECIFIED					Dr	M PESSON	2005-10-11	ANGULAR	0.1	0.3	size A2	Eng	P LEGARE	2005-10-11	LINEAR	0.1x	0.1	Scale 2:1	Clw			0° 45°	0.1x	0.05	ECN LS07-0273	Appr			Product family - Spec ref				E																										
www.fciconnect.com		surface	tolerance std	projection	mm																																																																															
		ISO 1302	ISO 406	ISO 1101																																																																																
		TOLERANCES UNLESS OTHERWISE SPECIFIED																																																																																		
Dr	M PESSON	2005-10-11	ANGULAR	0.1	0.3	size A2																																																																														
Eng	P LEGARE	2005-10-11	LINEAR	0.1x	0.1	Scale 2:1																																																																														
Clw			0° 45°	0.1x	0.05	ECN LS07-0273																																																																														
Appr			Product family - Spec ref																																																																																	
F				<table border="1"> <tr> <td>rev</td> <td>ck</td> <td>no</td> <td>df</td> <td>date</td> <td>Dr</td> <td>M PESSON</td> <td>2005-10-11</td> <td>ANGULAR</td> <td>0.1</td> <td>0.3</td> <td>size</td> <td>A2</td> <td>Scale</td> <td>2:1</td> </tr> <tr> <td>A</td> <td>LS05-0101</td> <td>MPE</td> <td></td> <td>2005-10-11</td> <td>Eng</td> <td>P LEGARE</td> <td>2005-10-11</td> <td>LINEAR</td> <td>0.1x</td> <td>0.1</td> <td>ECN</td> <td>LS07-0273</td> <td></td> <td></td> </tr> <tr> <td>B</td> <td>LS06-0206</td> <td>LOO</td> <td></td> <td>2006-12-13</td> <td></td> <td></td> <td></td> <td></td> <td></td> <td></td> <td></td> <td></td> <td></td> <td></td> </tr> <tr> <td>C</td> <td>LS07-0273</td> <td>MPE</td> <td></td> <td>2007-06-18</td> <td>Appr</td> <td></td> <td></td> <td></td> <td></td> <td></td> <td></td> <td></td> <td></td> <td></td> </tr> <tr> <td>D</td> <td>LS07-0273</td> <td>MPE</td> <td></td> <td>2007/10/31</td> <td></td> <td></td> <td></td> <td></td> <td></td> <td></td> <td></td> <td></td> <td></td> <td></td> </tr> </table> <p><b>FCI</b> SUB MALE DW mixed power+solder bucket</p> <p>catalog no</p> <p>REV C01-8639-2307</p> <p>CUSTOMER sheet 1 of 7</p>					rev	ck	no	df	date	Dr	M PESSON	2005-10-11	ANGULAR	0.1	0.3	size	A2	Scale	2:1	A	LS05-0101	MPE		2005-10-11	Eng	P LEGARE	2005-10-11	LINEAR	0.1x	0.1	ECN	LS07-0273			B	LS06-0206	LOO		2006-12-13											C	LS07-0273	MPE		2007-06-18	Appr										D	LS07-0273	MPE		2007/10/31											F
rev	ck	no	df	date	Dr	M PESSON	2005-10-11	ANGULAR	0.1	0.3	size	A2	Scale	2:1																																																																						
A	LS05-0101	MPE		2005-10-11	Eng	P LEGARE	2005-10-11	LINEAR	0.1x	0.1	ECN	LS07-0273																																																																								
B	LS06-0206	LOO		2006-12-13																																																																																
C	LS07-0273	MPE		2007-06-18	Appr																																																																															
D	LS07-0273	MPE		2007/10/31																																																																																
	1	2	3	4	5	6	7	8																																																																												

PDM: Rev:D

STATUS Released

Printed: Oct 01, 2010



FRONT ACCESSORY	<b>Blank</b> without	<b>L</b> insert M3	insert UNC 4.40
PCB ACCESSORIES	<b>A</b> without	<b>A</b> without	

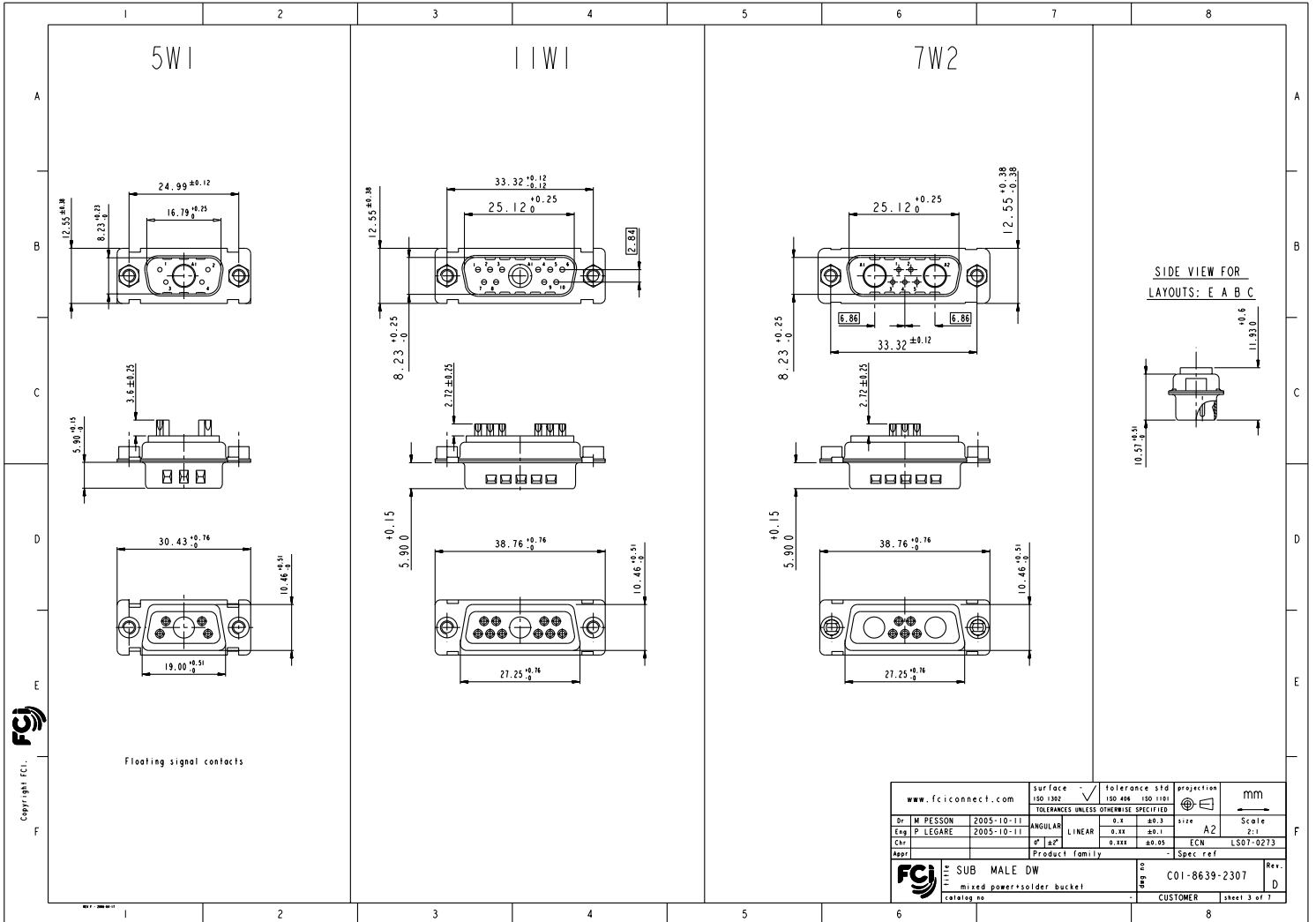
PART NUMBER	MATINGS/ UNMATINGS	FRONT ACCESSORY	PCB ACCESSORIES
D*xWxPA00LF	200	without	without
D*LxWxPA00LF	200	insert M3	without
D*OxWxPA00LF	200	insert UNC 4.40	without
D*xWxP043A00LF	500	without	without
D*LxWxP043A00LF	500	insert M3	without
D*OxWxP043A00LF	500	insert UNC 4.40	without

shell size	LAYOUTS
E	5W1
A	11W1
A	7W2
B	21W1
B	17W2
B	13W3
B	9W4
C	25W3
C	21WA4
C	27W2
D	47W1
D	24W7
D	36W4

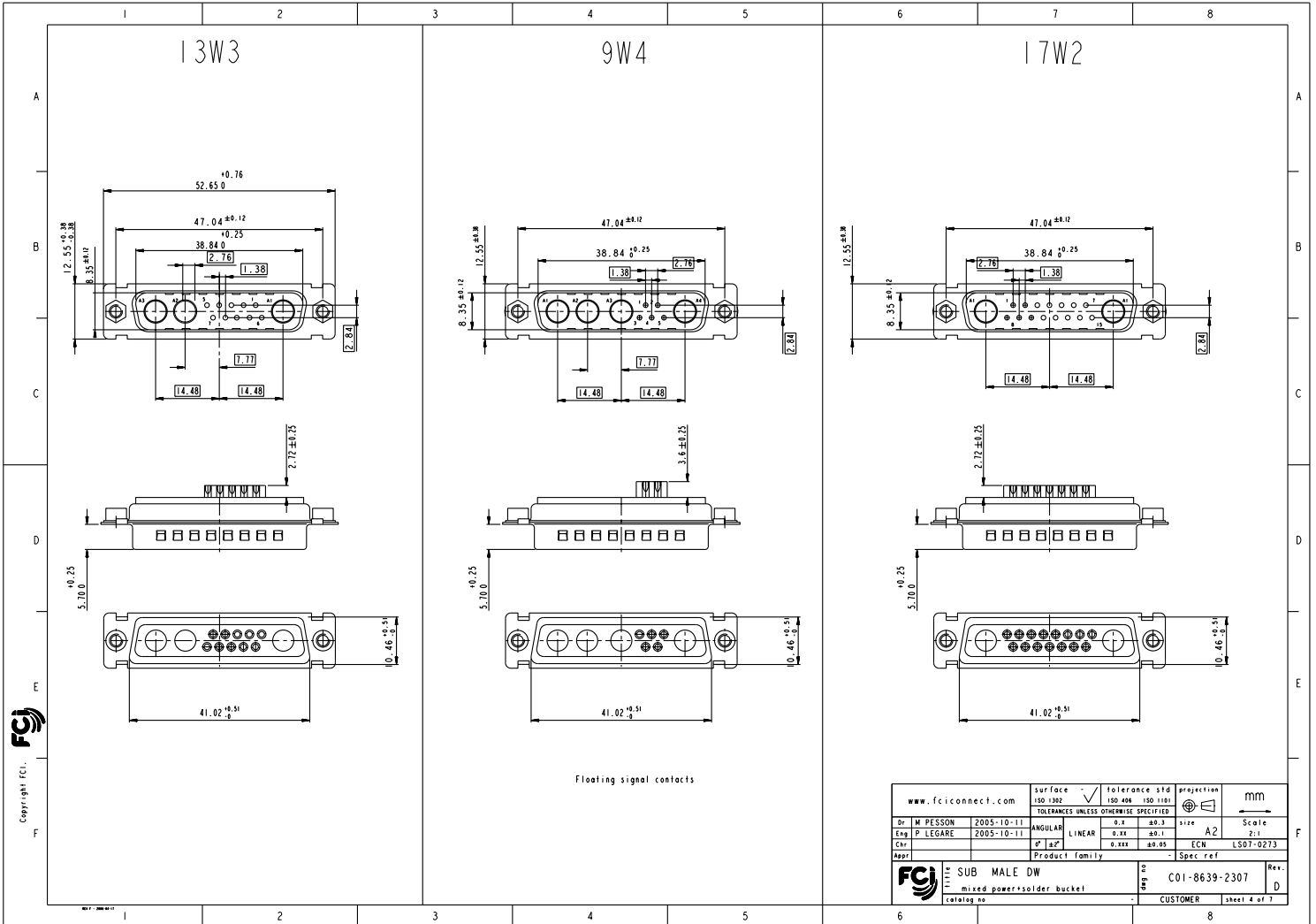
Copyright FCI

www.fciconnect.com		surface	tolerance std	projection	mm
Dr	M PESSON	2005-10-11	ISO 1302	ISO 406	ISO 1101
Eng	P LEGARE	2005-10-11	TOLERANCES UNLESS OTHERWISE SPECIFIED		Scale
Chr			ANGULAR	LINEAR	2:1
Appr			0.1	0.1	A2
			0.1	0.1	ECN
			0.1	0.1	LS07-0273
			Product family	Spec ref	
<b>FCI</b>	SUB MALE DW	REV	C01-8639-2307	Rev.	D
	mixed power+solder bucket		CUSTOMER	sheet 2 of 7	

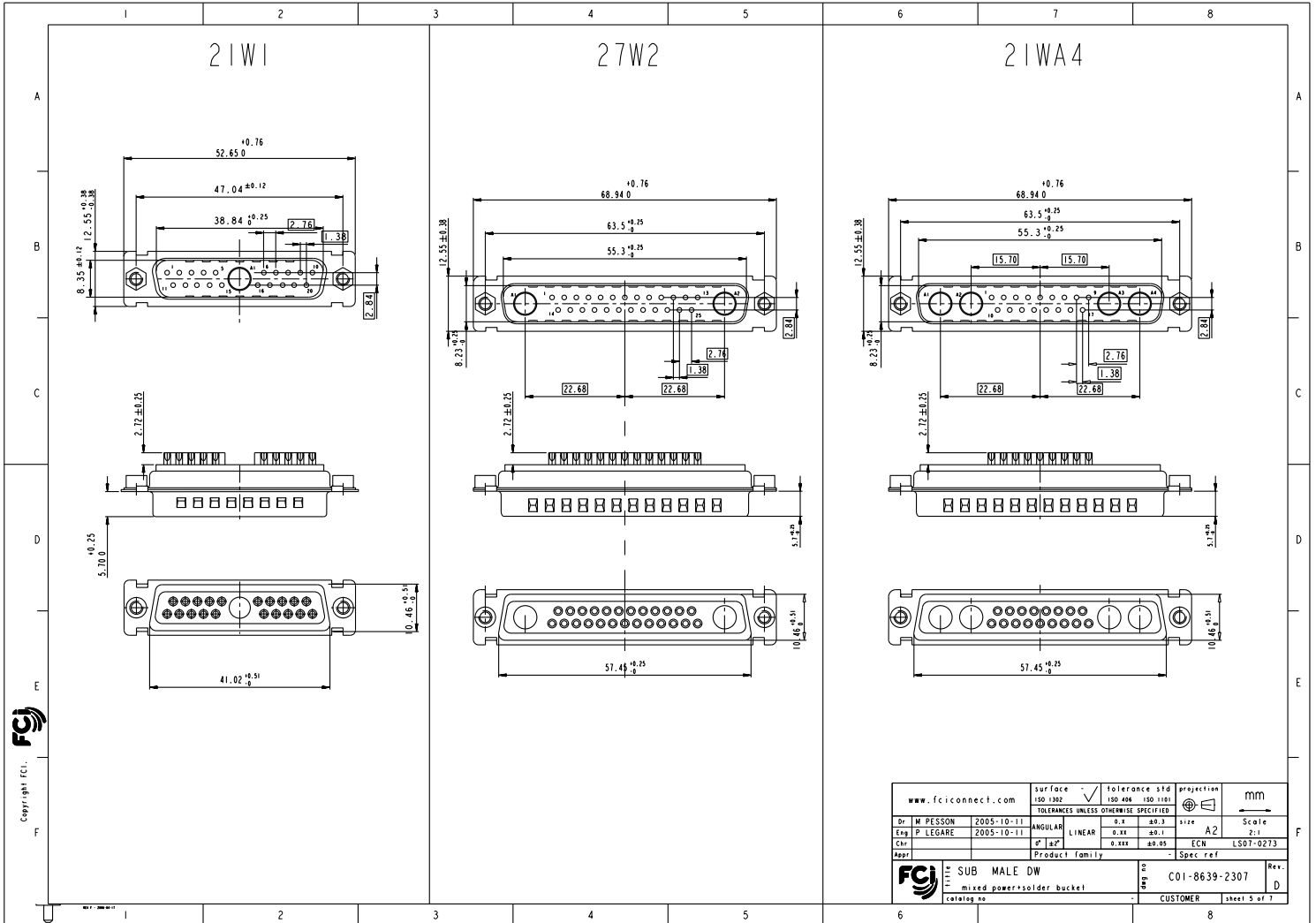
SCALE: 4



PDM: Rev:D STATUS Released Printed: Oct 01, 2010

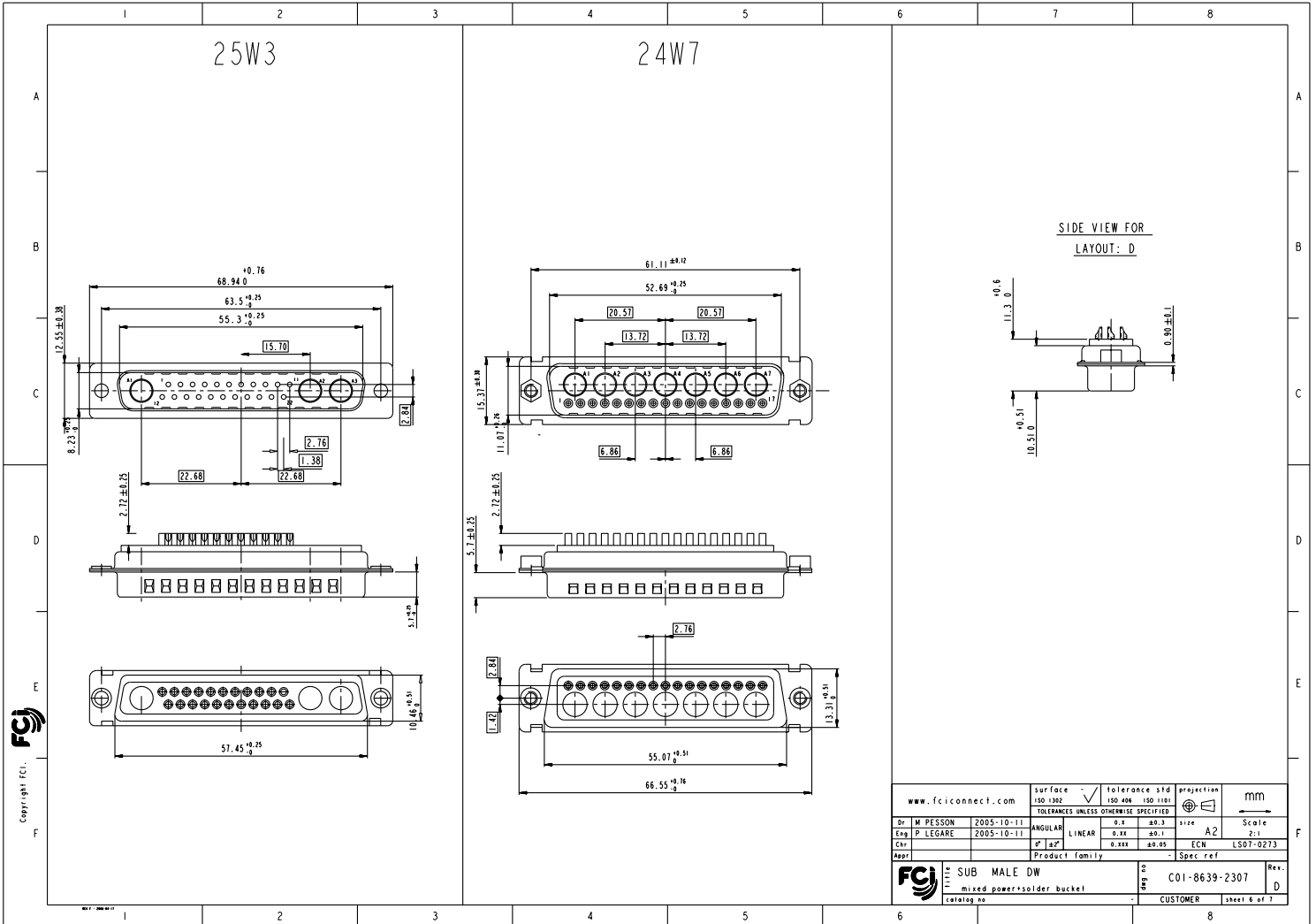


PDM: Rev:D STATUS Released Printed: Oct 01, 2010

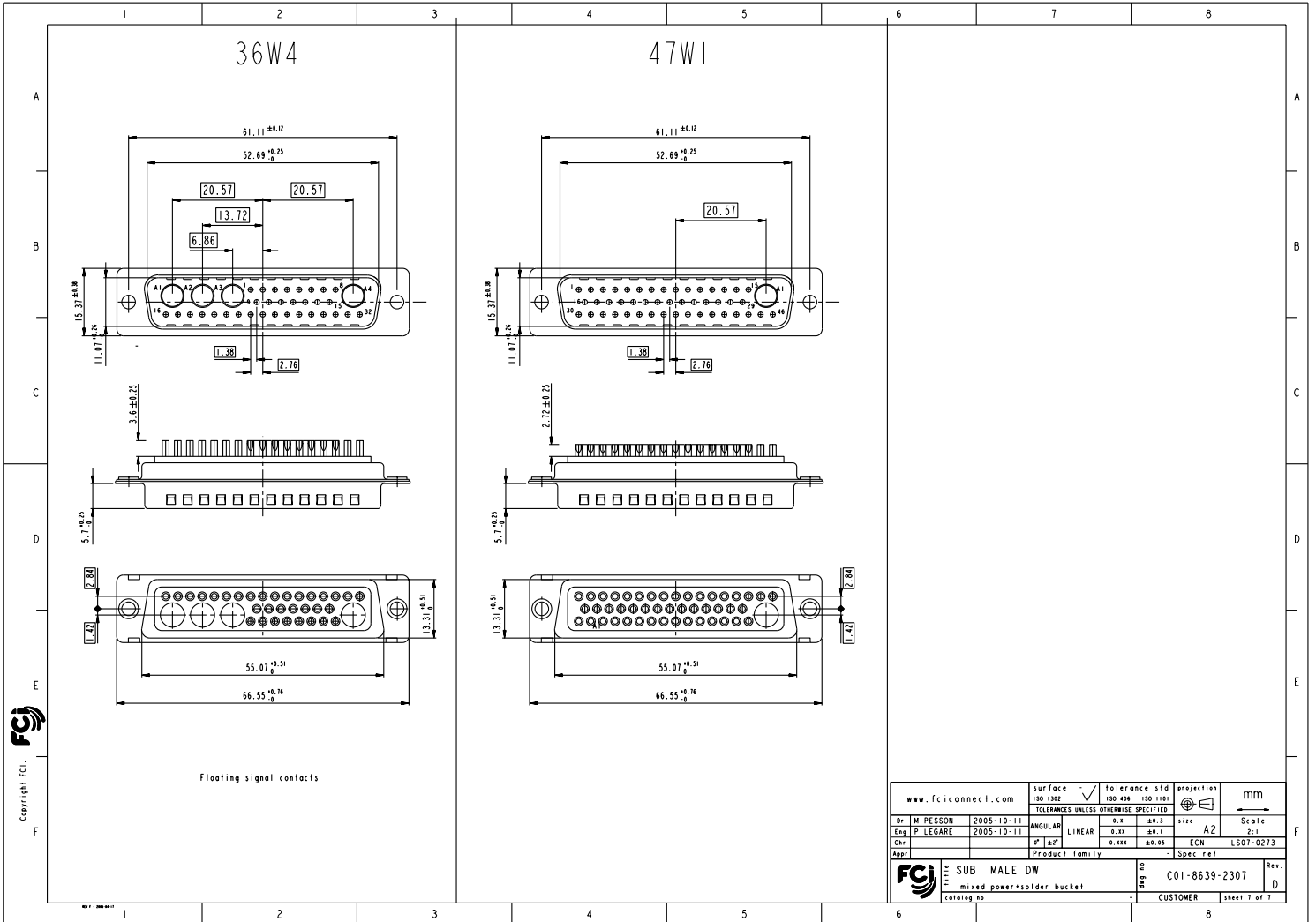


Copyright FCI

www.fciconnect.com		Surface	tolerance std	projection	mm
		ISO 1302	ISO 406	ISO 1101	
		TOLERANCES UNLESS OTHERWISE SPECIFIED			
Dr	M PESSON	2005-10-11	ANGULAR	0.X	20.3
Eng	P LEGARE	2005-10-11	LINEAR	0.XX	20.1
Chr			0.XXX	20.03	ECN
Appr			Product family		Spec ref
FCI		SUB MALE DW		REV	C01-8639-2307
		mixed power+solder bucket			
		catalog no		CUSTOMER	sheet 5 of 7



PDM: Rev:D STATUS Released Printed: Oct 01, 2010



PDM: Rev:D STATUS Released Printed: Oct 01, 2010