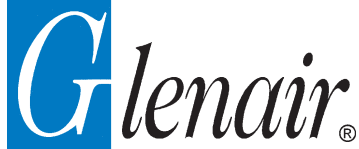


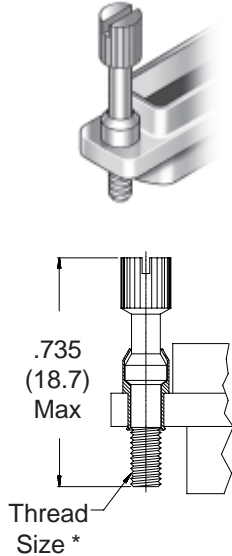
# Micro-D Hardware Dimensions and Accessories - Jackpost Kits



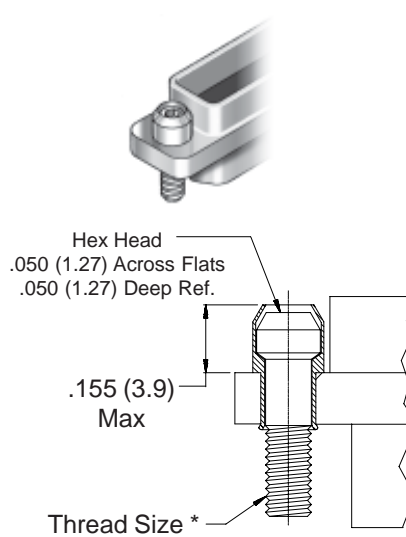
Micro-D  
Accessories

## FACTORY INSTALLED HARDWARE

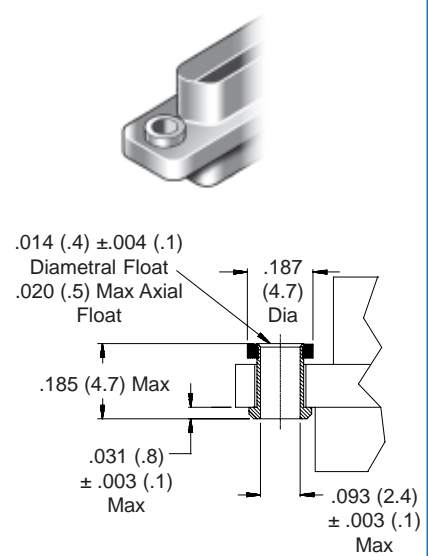
**"K" Style Jackscrew  
Non-Removable Slot Head**



**"L" Style Jackscrew  
Non-Removable Allen Head**



**"F" Style  
Float Mount**



\* Thread size for connector sizes 9-51 is #2A-56 UNC, for connector size 100 is #4-40 UNC

Metric dimensions (mm) are indicated in parentheses.

## To Most People It's Just a Rubber Connector Cover

At Glenair  
It's a Good Ol'  
"Marshal Bean"



*"To Protect  
and to Serve"*



"**M**arshal Beans" provide robust physical and environmental protection while eliminating the damage caused when metal connector covers bang against equipment housings, or when test cables get dragged across the shop floor! The covers come in two material types: a flexible neoprene rubber or a proprietary conductive material which dissipates static electricity.

At Glenair, we reckon a flexible rubber cover is the perfect way to protect an interconnect cable. So isn't it time you hired "Marshal Bean" to ride herd on your connector investment?

# Micro-D Jackpost Kits For Solder Cup and Pigtail Connectors



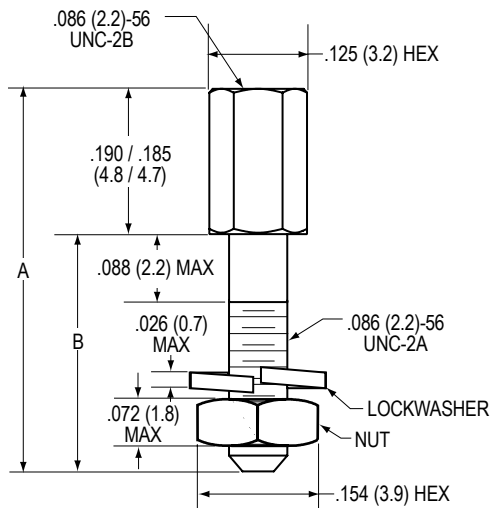
## PRODUCT FEATURES

- Compatible with all M83513 type Connectors
- Stainless Steel
- Extended Length Options
- Rear Panel Mounting Options

### Jackposts for Front-Mounted Connectors

#### #2-56 Jackpost

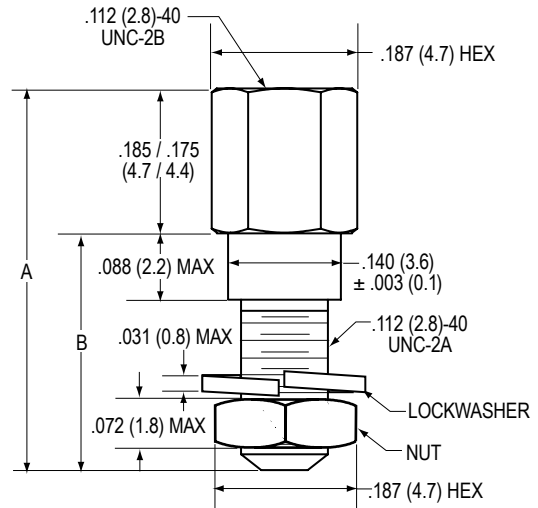
Connector Sizes 9-51



Part Number	Mil Spec Part Number	A ± .015 (0.4)	B ± .020 (0.5)
080-00-00-100	M83513/05-07	.475 (12.1)	.288 (7.3)
500-069-2-1		.688 (17.5)	.500 (12.7)
500-069-2-2		.813 (20.7)	.625 (15.9)
500-069-2-3		.938 (23.8)	.750 (19.1)
500-069-2-4		1.063 (27.0)	.875 (22.2)
500-069-2-5		1.188 (30.2)	1.000 (25.4)

#### #4-40 Jackpost

Connector Size 100

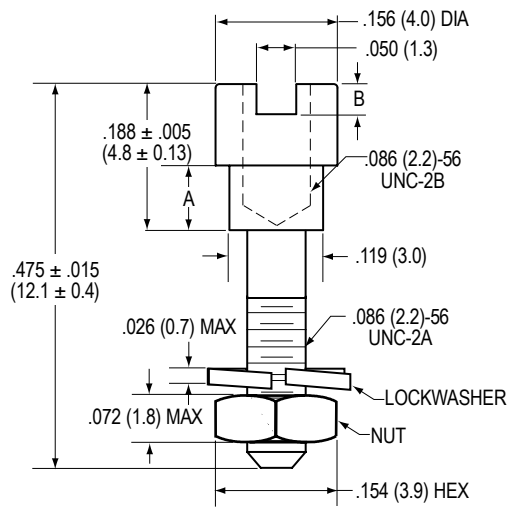


Part Number	Mil Spec Part Number	A ± .015 (0.4)	B ± .020 (0.5)
080-00-00-101	M83513/05-17	.475 (12.1)	.295 (7.3)
500-069-4-1		.680 (17.3)	.500 (12.7)
500-069-4-2		.805 (20.4)	.625 (15.9)
500-069-4-3		.930 (23.6)	.750 (19.1)
500-069-4-4		1.055 (26.8)	.875 (22.2)
500-069-4-5		1.180 (30.0)	1.000 (25.4)

- Material and Finish Jackpost and Nut: Corrosion resistant steel in accordance with ASTM A484 and ASTM A582, passivated in accordance with ASTM A967. Lockwasher: Corrosion resistant steel in accordance with ASTM A240, passivated in accordance with ASTM A967.
- Torque #2-56 thread: 2.5 inch-pounds. #4-40 thread: 4.0 inch-pounds. Maximum recommended torque for installation and operation.
- Standard Package Jackpost kits are packaged one kit per bag. One kit consists of two posts, two nuts and two lockwashers.
- Application Use #1 through #A (M83513 size H).  
Not for use with rear-panel mounted connectors or printed circuit board connectors.

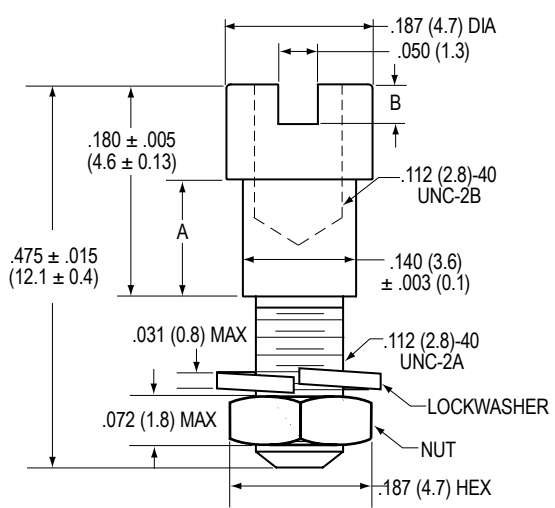
### Jackposts for Rear-Mounted Connectors

#### #2-56 Jackpost Connector Sizes 9-51



Part Number	Panel Thickness	A ± .003 (0.08)	B ± .003 (0.08)
177-504-2-2	1/32 (0.8)	.024 (0.6)	.050 (1.3)
177-504-2-3	3/64 (1.2)	.041 (1.0)	.050 (1.3)
177-504-2-4	1/16 (1.6)	.055 (1.4)	.050 (1.3)
177-504-2-5	3/32 (2.4)	.086 (2.2)	.050 (1.3)
177-504-2-6	1/8 (3.2)	.118 (3.0)	.030 (7.6)

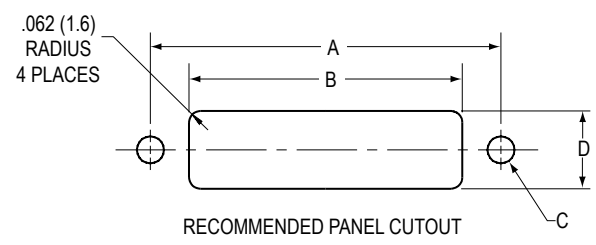
#### #4-40 Jackpost Connector Size 100



Part Number	Panel Thickness	A ± .003 (0.08)	B ± .003 (0.08)
177-504-4-2	1/32 (0.8)	.024 (0.6)	.050 (1.3)
177-504-4-3	3/64 (1.2)	.041 (1.0)	.050 (1.3)
177-504-4-4	1/16 (1.6)	.055 (1.4)	.050 (1.3)
177-504-4-5	3/32 (2.4)	.086 (2.2)	.050 (1.3)
177-504-4-6	1/8 (3.2)	.118 (3.0)	.030 (7.6)

- Material and Finish** Jackpost and Nut: Corrosion resistant steel in accordance with ASTM A484 and ASTM A582, passivated in accordance with ASTM A967. Lockwasher: Corrosion resistant steel in accordance with ASTM A240, passivated in accordance with ASTM A967.
- Torque** #2-56 thread: 2.5 inch-pounds. #4-40 thread: 4.0 inch-pounds. Maximum recommended torque for installation and operation.
- Standard Package** Jackpost kits are packaged one kit per bag. One kit consists of two posts, two nuts and two lockwashers.
- Application** Use #1 through #11 (M83513 size H). Not for use with printed circuit board connectors. A

### Panel Cutout Dimensions



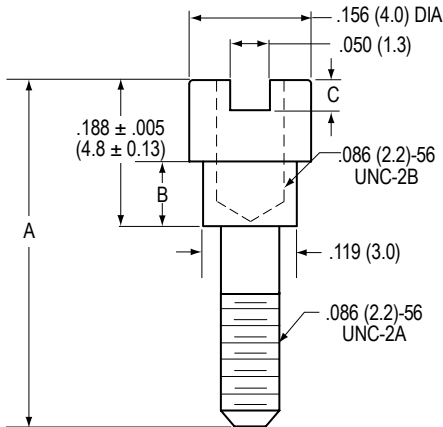
Shell Size	A ± .005 (0.13)	B ± .005 (0.13)	C + .003 (0.08) - .001 (0.03)	D ± .005 (0.13)
9	.565 (14.4)	.406 (10.3)	.125 (3.18)	.256 (6.5)
15	.715 (18.2)	.556 (14.1)	.125 (3.18)	.256 (6.5)
21	.865 (22.0)	.706 (17.9)	.125 (3.18)	.256 (6.5)
25	.965 (24.5)	.806 (20.5)	.125 (3.18)	.256 (6.5)
31	1.115 (28.3)	.956 (24.3)	.125 (3.18)	.256 (6.5)
37	1.265 (32.1)	1.106 (28.1)	.125 (3.18)	.256 (6.5)
51	1.215 (30.9)	1.056 (26.8)	.125 (3.18)	.300 (7.6)
100	1.800 (45.7)	1.520 (38.6)	.147 (3.73)	.406 (10.3)

# Micro-D Jackpost Kits For Printed Circuit Board Connectors (Style BS, BR and CBR)

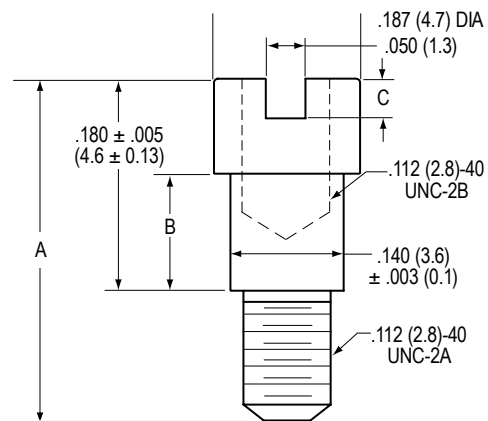


## Jackposts for Rear-Mounted PCB Connectors

### #2-56 Jackpost Connector Sizes 9-51



### #4-40 Jackpost Connector Size 100

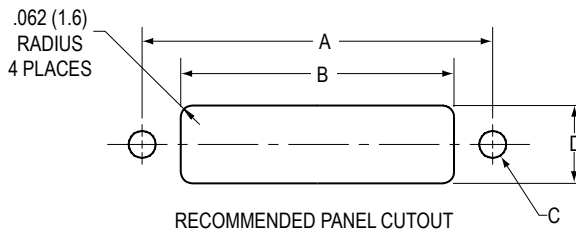


Part Number	Panel Thickness	Connector Style	A ± .015 (0.4)	B ± .003 (0.08)	C ± .003 (0.08)
177-505-A-2-2	1/32 (0.8)	BS, CBR	.365 (9.3)	.024 (0.6)	.050 (1.3)
177-505-A-2-3	3/64 (1.2)	BS, CBR	.365 (9.3)	.041 (1.0)	.050 (1.3)
177-505-A-2-4	1/16 (1.6)	BS, CBR	.365 (9.3)	.055 (1.4)	.050 (1.3)
177-505-A-2-5	3/32 (2.4)	BS, CBR	.365 (9.3)	.086 (2.2)	.050 (1.3)
177-505-A-2-6	1/8 (3.2)	BS, CBR	.365 (9.3)	.118 (3.0)	.030 (7.6)
177-505-B-2-2	1/32 (0.8)	BR	.398 (10.1)	.024 (0.6)	.050 (1.3)
177-505-B-2-3	3/64 (1.2)	BR	.398 (10.1)	.041 (1.0)	.050 (1.3)
177-505-B-2-4	1/16 (1.6)	BR	.398 (10.1)	.055 (1.4)	.050 (1.3)
177-505-B-2-5	3/32 (2.4)	BR	.398 (10.1)	.086 (2.2)	.050 (1.3)
177-505-B-2-6	1/8 (3.2)	BR	.398 (10.1)	.118 (3.0)	.030 (7.6)

Part Number	Panel Thickness	Connector Style	A ± .015 (0.4)	B ± .003 (0.08)	C ± .003 (0.08)
177-505-C-4-2	1/32 (0.8)	BR, CBR	.475 (12.1)	.024 (0.6)	.050 (1.3)
177-505-C-4-3	3/64 (1.2)	BR, CBR	.475 (12.1)	.041 (1.0)	.050 (1.3)
177-505-C-4-4	1/16 (1.6)	BR, CBR	.475 (12.1)	.055 (1.4)	.050 (1.3)
177-505-C-4-5	3/32 (2.4)	BR, CBR	.475 (12.1)	.086 (2.2)	.050 (1.3)
177-505-C-4-6	1/8 (3.2)	BR, CBR	.475 (12.1)	.118 (3.0)	.030 (7.6)
177-505-D-4-2	1/32 (0.8)	BS	.360 (9.1)	.024 (0.6)	.050 (1.3)
177-505-D-4-3	3/64 (1.2)	BS	.360 (9.1)	.041 (1.0)	.050 (1.3)
177-505-D-4-4	1/16 (1.6)	BS	.360 (9.1)	.055 (1.4)	.050 (1.3)
177-505-D-4-5	3/32 (2.4)	BS	.360 (9.1)	.086 (2.2)	.050 (1.3)
177-505-D-4-6	1/8 (3.2)	BS	.360 (9.1)	.118 (3.0)	.030 (7.6)

- Material and Finish** Corrosion resistant steel in accordance with ASTM A484 and ASTM A582, passivated in accordance with ASTM A967.
- Torque** #2-56 thread: 2.5 inch-pounds. #4-40 thread: 4.0 inch-pounds. Maximum recommended torque for installation and operation.
- Standard Package** Jackpost kits are packaged one kit per bag. One kit consists of two posts.
- Application** Rear panel mounting guarantee compatibility of these jackposts with connectors made by other manufacturers.

### Panel Cutout Dimensions



Shell Size	A ± .005 (0.13)	B ± .005 (0.13)	C + .003 (0.08) - .001 (0.03)	D ± .005 (0.13)
9	.565 (14.4)	.406 (10.3)	.125 (3.18)	.256 (6.5)
15	.715 (18.2)	.556 (14.1)	.125 (3.18)	.256 (6.5)
21	.865 (22.0)	.706 (17.9)	.125 (3.18)	.256 (6.5)
25	.965 (24.5)	.806 (20.5)	.125 (3.18)	.256 (6.5)
31	1.115 (28.3)	.956 (24.3)	.125 (3.18)	.256 (6.5)
37	1.265 (32.1)	1.106 (28.1)	.125 (3.18)	.256 (6.5)
51	1.215 (30.9)	1.056 (26.8)	.125 (3.18)	.300 (7.6)
100	1.800 (45.7)	1.520 (38.6)	.147 (3.73)	.406 (10.3)



# Micro-D Accessories Jackscrew Kits

## JACKSCREW KITS (Kits consist of two screws and two e-rings)

**"M" Style Jackscrew  
Low Profile Allen Head**



**"S" Style Jackscrew  
Low Profile Slot Head**



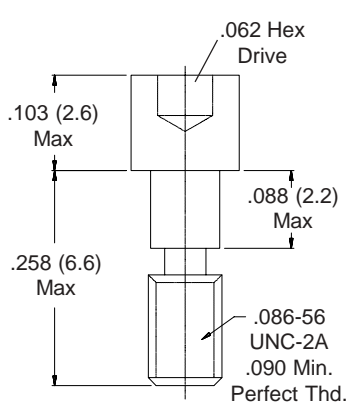
**"M1" Style Jackscrew  
High Profile Allen Head**



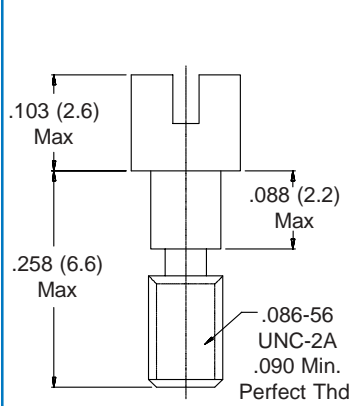
**"S1" Style Jackscrew  
High Profile Slot Head**



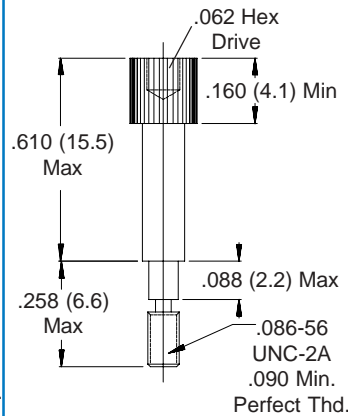
## #2-56 FOR 9-51 POSITION CONNECTORS



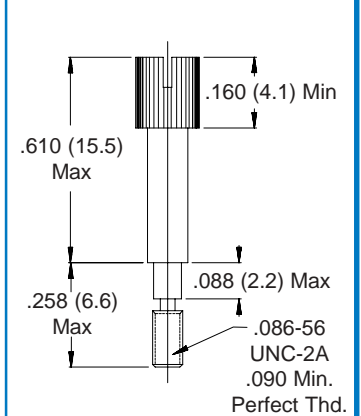
**Part Number**  
080-00-00-502  
**Mil Spec**  
M83513/05-02



**Part Number**  
080-00-00-505  
**Mil Spec**  
M83513/05-05

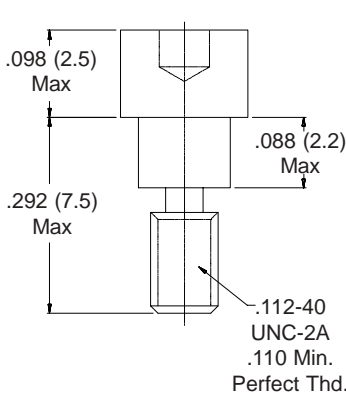


**Part Number**  
080-00-00-503  
**Mil Spec**  
M83513/05-03

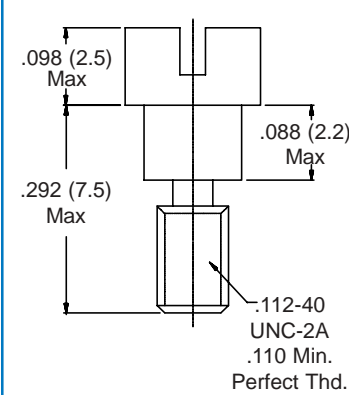


**Part Number**  
080-00-00-506  
**Mil Spec**  
M83513/05-06

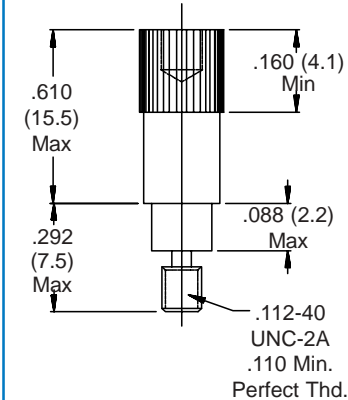
## #4-40 FOR 100 POSITION CONNECTORS



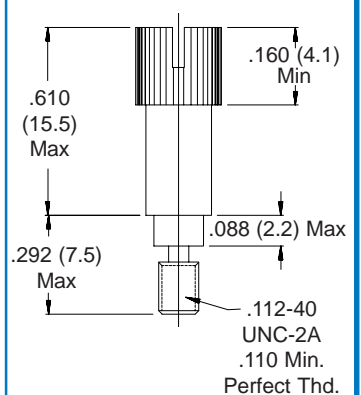
**Part Number**  
080-00-00-512  
**Mil Spec**  
M83513/05-12



**Part Number**  
080-00-00-515  
**Mil Spec**  
M83513/05-15



**Part Number**  
080-00-00-513  
**Mil Spec**  
M83513/05-13



**Part Number**  
080-00-00-516  
**Mil Spec**  
M83513/05-16

Metric dimensions (mm) are indicated in parentheses.

© 2003 Glenair, Inc.

CAGE Codes 06324/0CA77

Printed in U.S.A.