
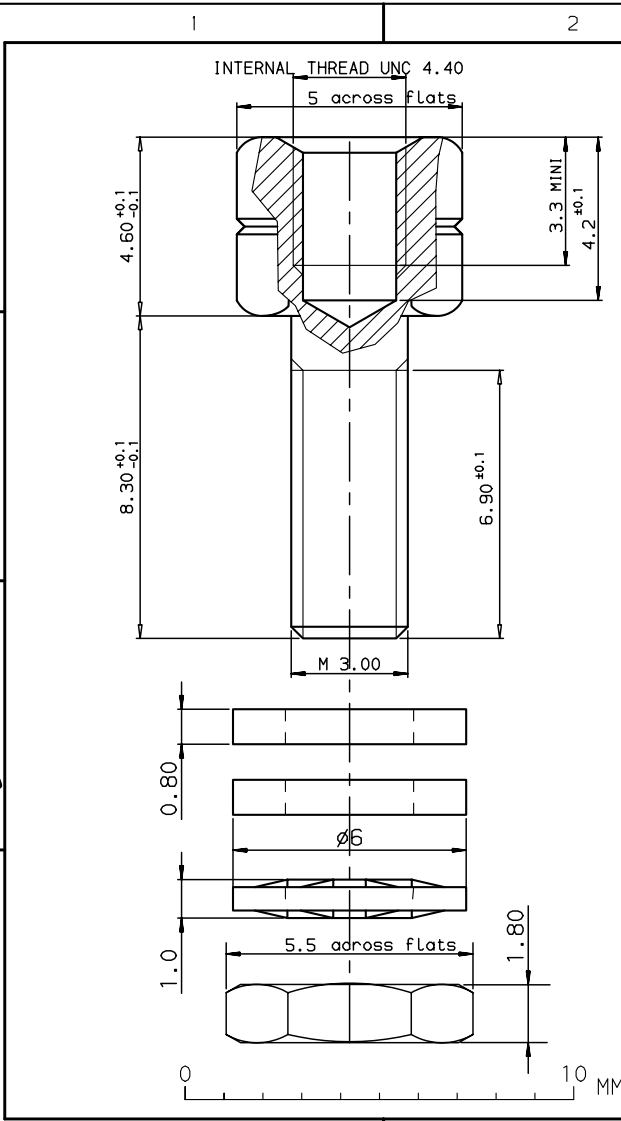


Copyright FCI. 

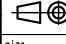


TECHNICAL CHARACTERISTICS :

- Female screw locks: brass, cadmium plated .
- Compensating washer: steel, cadmium plated .
- Nuts : steel, cadmium plated .
- Packaging : per 100 pieces .
- Corrosion resistance : 50 hour exposure to salt spray .

Part number 863001

rev	ecn no	dr	date
A	-	JOU	1995/06/20
B	LS06-0097	LGO	2006/07/28
C	LS07-0001	MPE	2007/01/04
D	LS09-0006	PCR	2008/01/08
E	LS09-0063	PCR	2009/03/25
-	-	-	-
-	-	-	-

www.fciconnect.com		surface ISO 1302	tolerance std ISO 406 ISO 1101	projection 	mm
TOLERANCES UNLESS OTHERWISE SPECIFIED					
Dr	JOUBERT	1995/06/20	ANGULAR	0.X	±0.1
Eng	PESSON	1995/06/20	LINEAR	0.XX	±0.1
Chr	LEGARE	1995/06/20	0.III' ± 2'	0.XXX	±0.1
Appr	LEGARE	1995/06/20	Product family D-SUB Spec ref -		
Title FEMALE SCREW LOCKS D SUB ACCESSORIES			Part no C01-8655-0677		Rev. E
catalog no			CUSTOMER sheet 1 of 1		

European Views

REV F - 2006-04-17