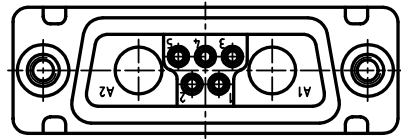
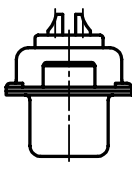
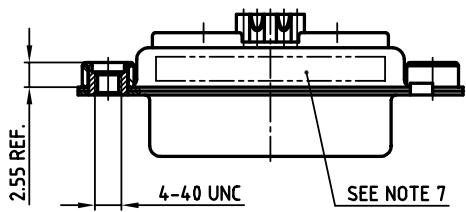
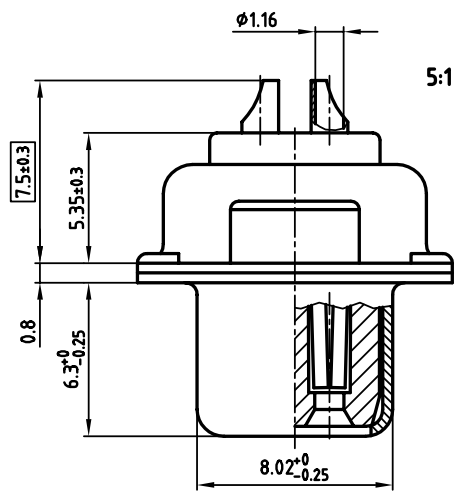
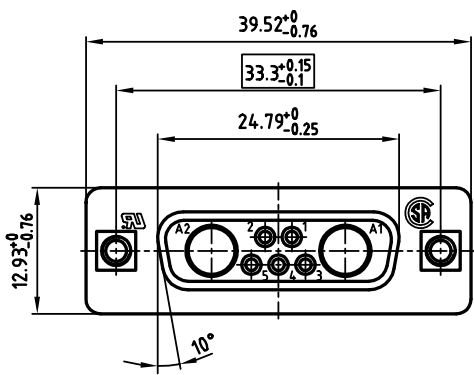


used for: D-SUB COMBINATION



NOTES:

1. METALSHELLS: STEEL; min. 320 μ" TIN
2. INSULATORS: PBT GF, UL 94 V-0; GREEN
3. CONTACTS: COPPER ALLOY
PLATING: MIN. 30μ" HARD GOLD OVER MIN. 50μ" NICKEL
SOLDER CUP ACCEPTS CABLE AWG 20
4. THREADED INSERT: COPPER ALLOY; min. 200μ" TIN over 80μ" NICKEL
5. COLLAR: COPPER ALLOY; min. 200μ" TIN over 80μ" NICKEL
6. MAXIMUM TORQUE VALUE FOR THREAD: 6" LBS
7. CONNECTOR IS PART MARKED: 3007W2SCM99A30X CONEC Y/WW
8. = CRITICAL DIMENSION

THIS DRAWING MAY NOT BE COPIED OR REPRODUCED IN ANY WAY, AND MAY NOT BE PASSED ON TO A THIRD PARTY, WITHOUT WRITTEN PERMISSION. OWNERSHIP AND COPYRIGHT OF CONEC GmbH. DO NOT ALTER CAD DRAWING BY HAND.	tolerance				scale: 2:1 (5:1)	
					material: SEE NOTES	
	2002	date	name	title: D-SUB COMBINATION FEMALE 7W2S SOLDER CUP with threaded insert		
	drawn	11.11.	Parei			
	appd.	11.11.	Kühle			
	norm					
d-old			dwg no: AutoCAD 2000		DIN-A	
			13K2A691		3	
rev. description date name			part no: 3007W2SCM99A30X		sh: 1/1	