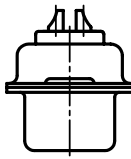
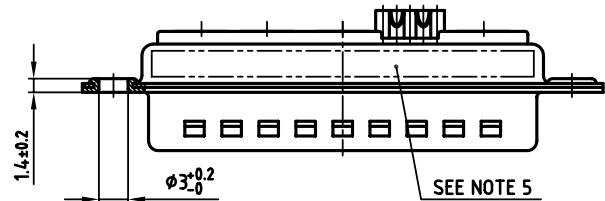
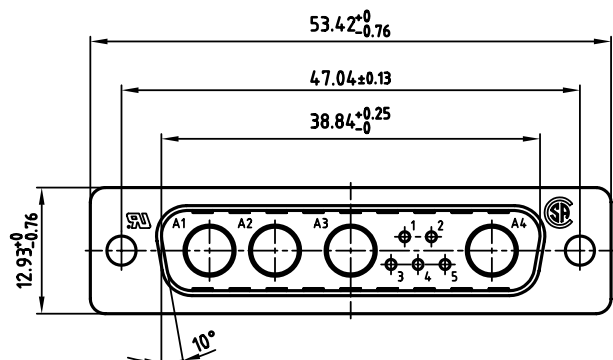
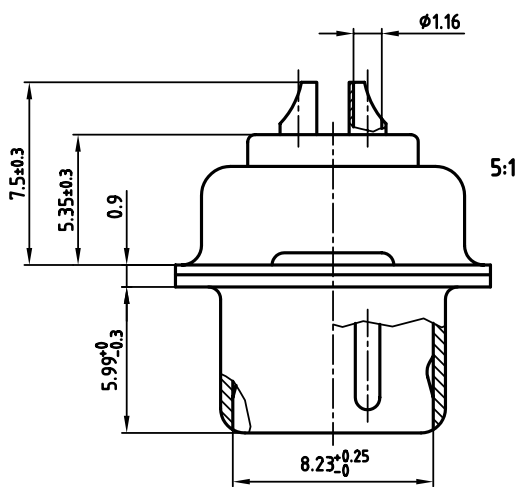


used for: D-SUB COMBINATION



NOTES:

1. METALSHELLS: STEEL; min. 320µ" TIN
2. INSULATORS: PBT GF UL 94 V-0, GREEN
3. SIGNAL CONTACTS: COPPER ALLOY
PLATING: 30µ" HARD GOLD OVER min. 50µ" NICKEL
SOLDER CUP ACCEPTS CABLE AWG 20
4. NO CONTACTS ON POS. A1 - A4
5. CONNECTOR IS PART MARKED: 3009W4PCM99A10X CONEC ABC
6. = CHECK DIMENSION

APPROVAL # FREIGABE # DEBLOCKAGE # AUTOR/ZACION # APPROVAL	
CUSTOMER APPROVAL DATE:	
NAME:	TITLE:
COMPANY NAME:	
APPROVAL # FREIGABE # DEBLOCKAGE # AUTOR/ZACION # APPROVAL	

THIS DRAWING MAY NOT BE COPIED OR REPRODUCED IN ANY WAY, AND MAY NOT BE PASSED ON TO A THIRD PARTY, WITHOUT WRITTEN PERMISSION. OWNERSHIP AND COPYRIGHT OF CONEC GmbH

DO NOT ALTER CAD DRAWING BY HAND

rev.	description	date	name

tolerance		scale: 2:1 (5:1)	
		material: SEE NOTES	
2004	date	name	title:
drawn	26.08.	Lehnenkühler	D-SUB COMBINATION MALE 9W4P SOLDER CUP
appd.	27.08.	Mickenbecker	
norm			dwg no: AutoCAD 2004
d-old			DIN-A
CONEC ®		13K1A1237	
part no: 3009W4PCM99A10X		3 sh: 1/1	