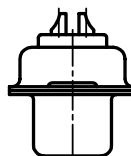
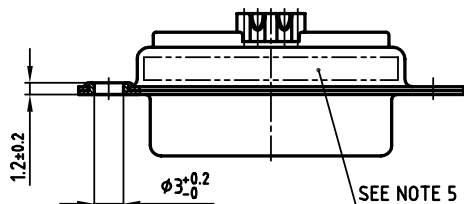
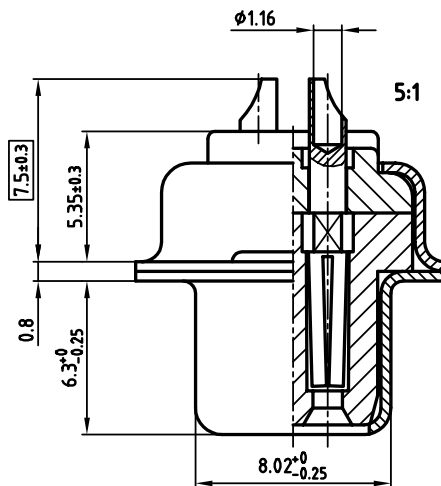
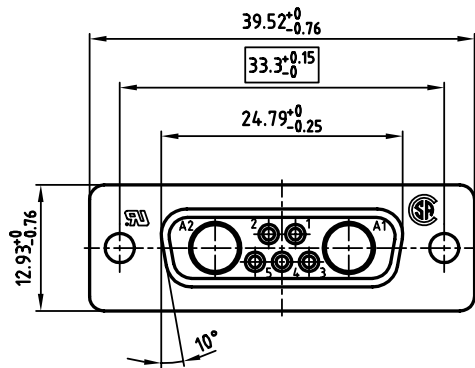


used for: D-SUB COMBINATION



**NOTES:**

1. METALSHELLS: STEEL; min. 320µ" TIN
2. INSULATORS: PBT GF UL 94 V-0, GREEN
3. SIGNAL CONTACTS: COPPER ALLOY  
SOLDER CUP ACCEPTS CABLE AWG 20
4. PLATING: min. 30µ" HARD GOLD OVER min. 50µ" NICKEL
5. CONNECTOR IS PART MARKED: 3007W2SCM99A10X CONEC Y/WW
6.  = CRITICAL DIMENSION

THIS DRAWING MAY NOT BE COPIED OR REPRODUCED IN ANY WAY, AND MAY NOT BE PASSED ON TO A THIRD PARTY, WITHOUT WRITTEN PERMISSION. OWNERSHIP AND COPYRIGHT OF CONEC GmbH DO NOT ALTER CAD DRAWING BY HAND	tolerance				scale: 2:1
					material: SEE NOTES
	2002	date	name		<b>D-SUB COMBINATION FEMALE</b> 7W2S SOLDER CUP
	drawn	07.05.	Parei		
	appd.	07.05.	E. Mickenbecker		
	norm				
d-old				dwg no: AutoCAD 2000	
rev. description		date	name		
					DIN-A 3 sh: 1/1
					part no: <b>3007W2SCM99A10X</b>