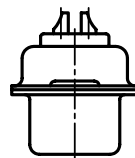
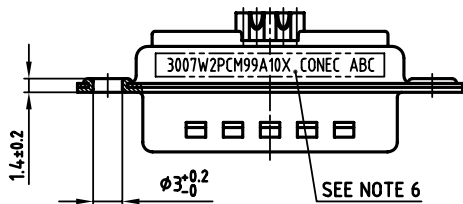
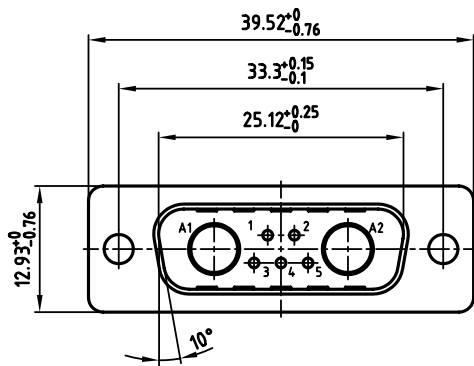
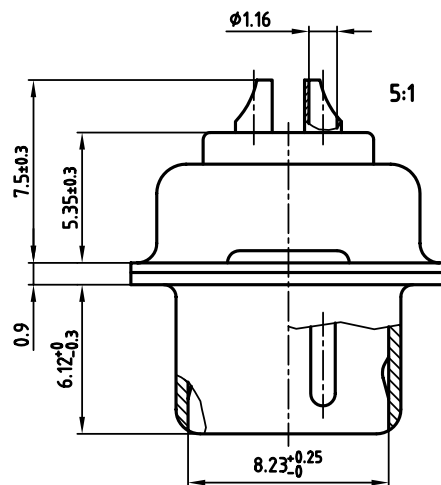


used for: D-SUB COMBINATION



NOTES:

- 1. METAL SHELLS: STEEL; min. 315µin TIN over 40-80µin NICKEL
- 2. INSULATORS: PBT GF UL 94 V-0, GREEN
- 3. SIGNAL CONTACTS: COPPER ALLOY
PLATING: 30µin HARD GOLD over min. 50µin NICKEL
SOLDER CUP ACCEPTS CABLE AWG 20
- 4. NO CONTACTS ON POS. A1+A2
- 5. UL APPROVED UNDER E228329
- 6. CONNECTOR IS PART MARKED: 3007W2PCM99A10X CONEC ABC



APPROVAL # FREIGABE # DEBLOCAGE # AUTORIZACION # APPROVAL	
CUSTOMER APPROVAL DATE:	
NAME:	TITLE:
COMPANY NAME:	
APPROVAL # FREIGABE # DEBLOCAGE # AUTORIZACION # APPROVAL	

THIS DRAWING MAY NOT BE COPIED OR REPRODUCED IN ANY WAY, AND MAY NOT BE PASSED ON TO A THIRD PARTY, WITHOUT WRITTEN PERMISSION. OWNERSHIP AND COPYRIGHT OF CONEC GmbH. DO NOT ALTER CAD DRAWING BY HAND

1 x b	Ä 3231	19.12.2008	Lehmen
a	Origin		
rev.	description	date	name

tolerance		 dim. in mm
2002	date	
drawn	08.05.	Parei
appd.	08.05.	E. Mickenbecker
norm		
d-old		

scale:	2:1 (5:1)	
material:	SEE NOTES	
title:		
D-SUB COMBINATION MALE		
7W2P SOLDER CUP		
dwg no:	AutoCAD 2000	DIN-A
	13K1A562	3
		sh: 1/1
part no: 3007W2PCM99A10X		