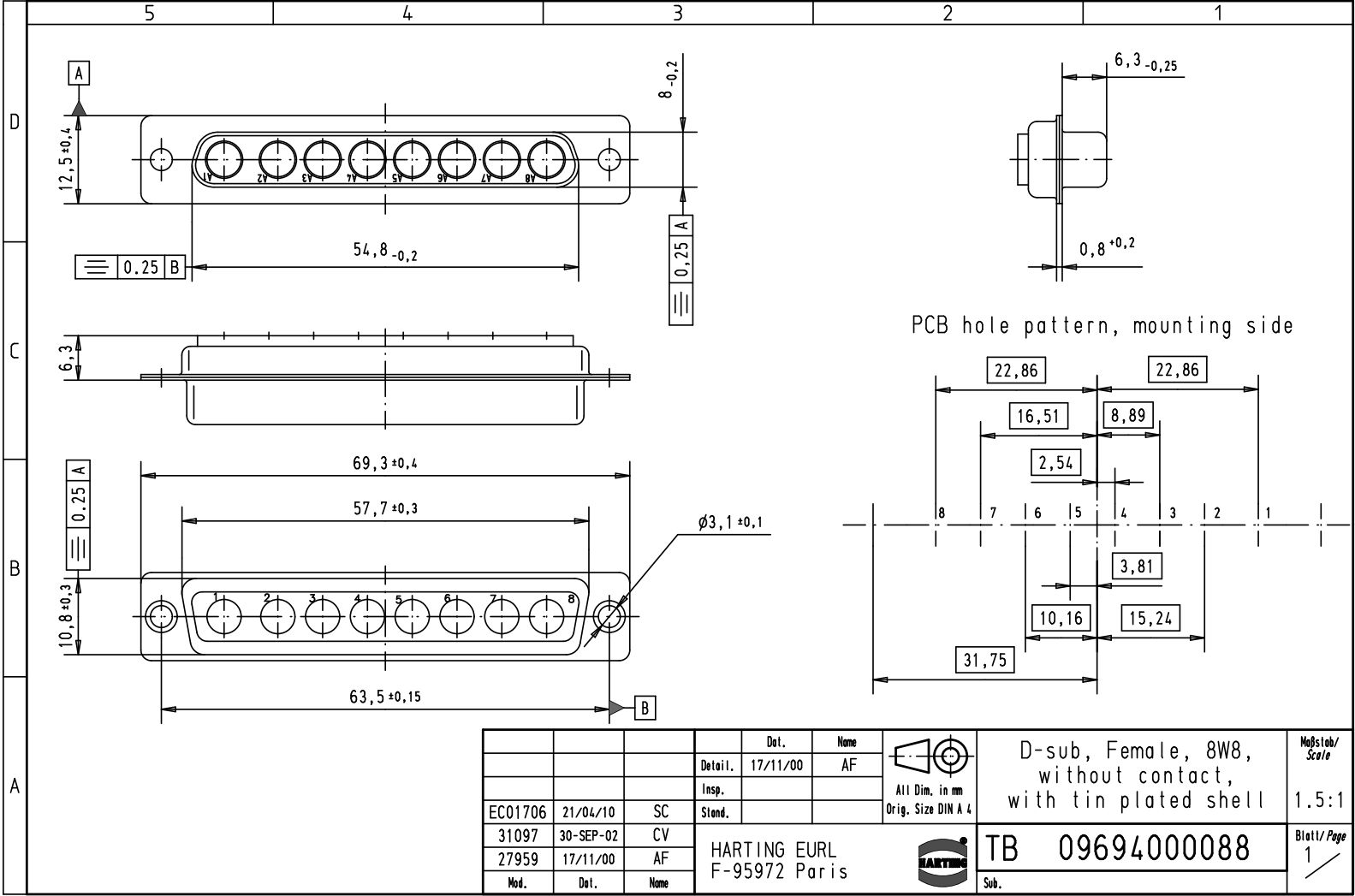


Alle Rechte vorbehalten/ All rights reserved



PCB hole pattern, mounting side

				Det.	Name	 All Dim. in mm Orig. Size DIN A 4	D-sub, Female, 8W8, without contact, with tin plated shell	Maßstab/ Scale 1.5:1
			Detail.	17/11/00	AF			
			Insp.					
EC01706	21/04/10	SC	Stand.					
31097	30-SEP-02	CV						
27959	17/11/00	AF						
Mod.	Det.	Name	HARTING EURL F-95972 Paris				TB 09694000088	Blatt/ Page 1