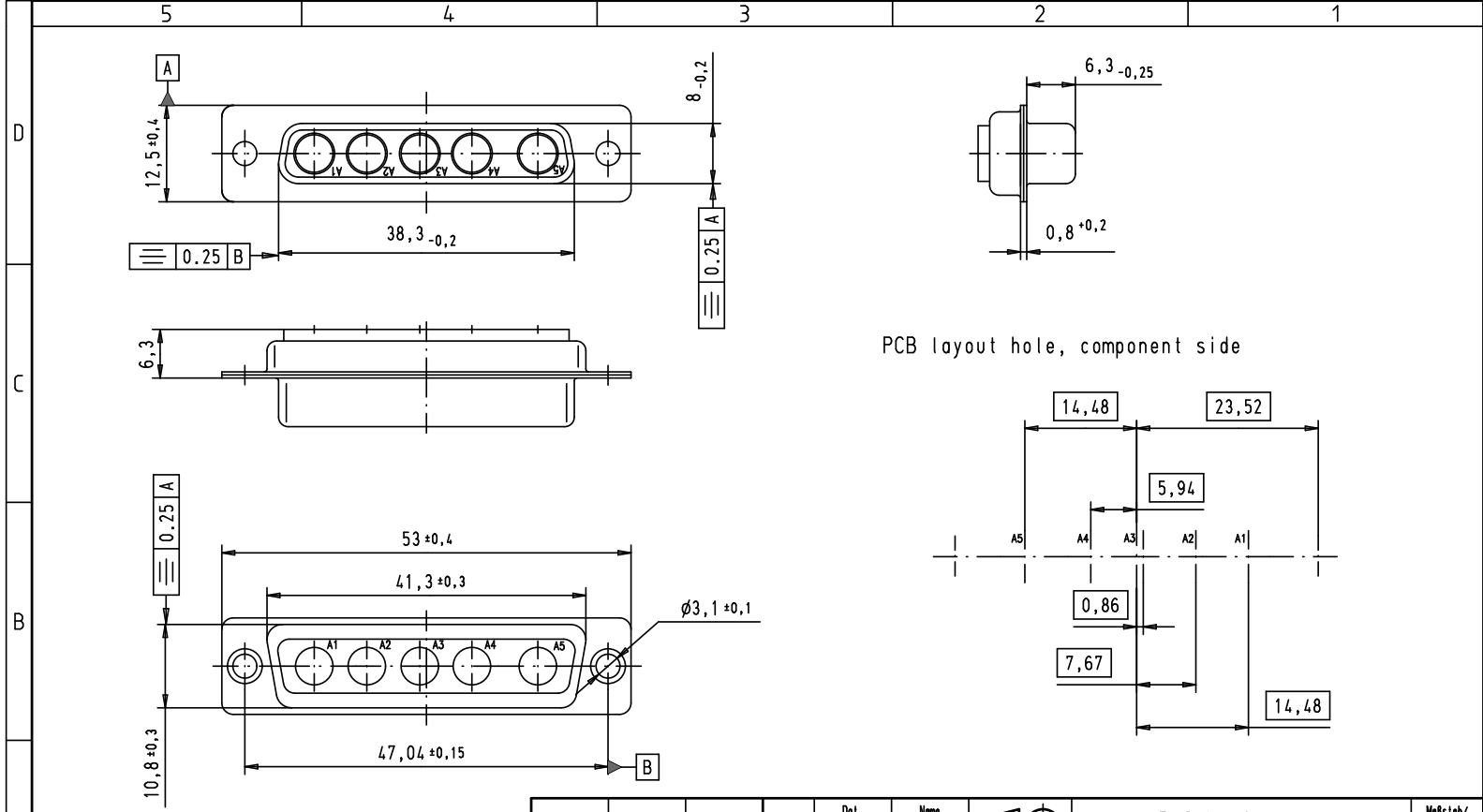
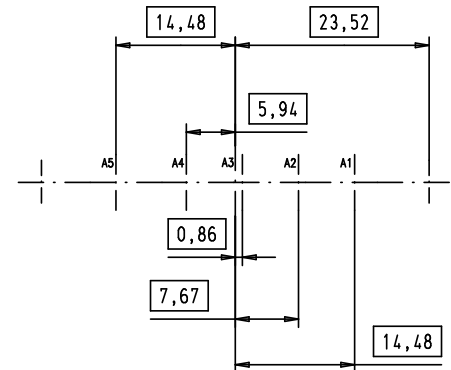


Alle Rechte vorbehalten/ All rights reserved



PCB layout hole, component side



A	09 69 300 0055.500	Non magnetic				Det.	12/11/01	Name	AF	 All Dim. in mm Orig. Size DIN A 4	D-Sub, female, 5W5 without contacts, with tin plated shell	Maßstab/ Scale 1,5:1
			EC01706	21/04/10	SC	Insp.						
		09 69 300 0055		32119	23/06/04	AC	Stand.					
		Part number		31519	03/07/03	TCP						
			29742	12/11/01	AF	HARTING EURL F-95972 Paris			 Sub.	TB 09 69 300 0055	Blatt/ Page 1 / 1	
			Mod.	Det.	Name							