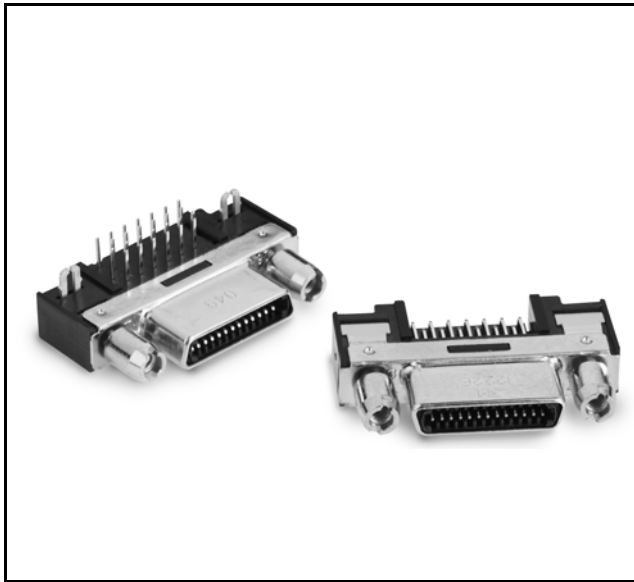


3M™ Shrunk Delta Ribbon (SDR) Connectors

.80 mm Thru-Hole, Right Angle, Receptacle, Shielded

122 Series



- Wiper on wiper contact for reliable repetitive mating
- Ground lock for reliable PCB retention
- Full metal face for better EMI shielding effectiveness
- Contacts: 14, 26, 50
- On-board jacksockets maintains a secure connection
- 30μ" Au plate
- RoHS* compliant

Date Modified: August 21, 2006

TS-2124-02
Sheet 1 of 3

Physical

Insulation Material:	PA9T
Flammability:	UL 94V-0
Color:	Black
Contact Material:	Phosphor Bronze
Plating: Underplating:	80μ" [2 μm] Nickel
Wiping Area:	30μ" [0.76μm] Au
Termination Area:	80μ" [2 μm] Tin IDC area
Shroud & Latch Hook Material:	Steel
Plating:	Nickel
Ground Lock Material:	Phosphor Bronze
Plating:	Tin
Lock Screw Material:	Steel
Plating:	Nickel
Alignment Plate Material:	PPS
Flammability:	UL 94V-0
Color:	Black
Marking:	3M logo and part number

Electrical

Current Rating:	0.5 A
Insulation Resistance:	500 MΩ min at @250 Vdc
Withstanding Voltage:	350 Vac for 1 minute

Environmental

Temperature Rating:	-40°C to +70°C
Process Rating:	up to +235°C, Dip 5 ± 0.5 secs (220°C, 40 sec ± 0.5)

RoHS = Directive 2002/95/EC, Restriction of the Use of Certain Hazardous Substances in Electrical and Electronic Equipment
"RoHS compliant" means that the product or part does not contain any of the following substances in excess of the following maximum concentration values in any homogeneous material: (a) 0.1% (by weight) for each of lead, mercury, hexavalent chromium, polybrominated biphenyls or polybrominated diphenyl ethers; or (b) 0.01% (by weight) for cadmium. Lead, mercury, cadmium, or hexavalent chromium may be present in the product or part in an exempt application as listed in the Annex to the RoHS Directive.

UL File No.: E68080 (pending)

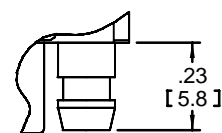
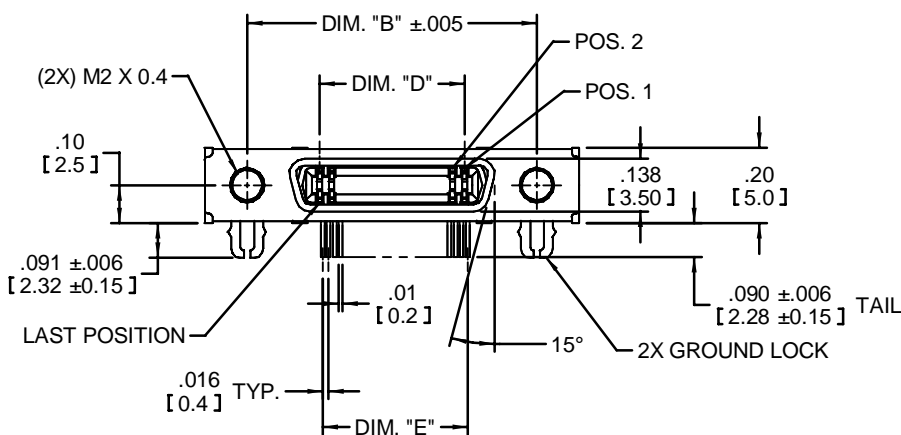
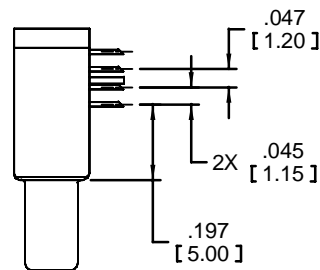
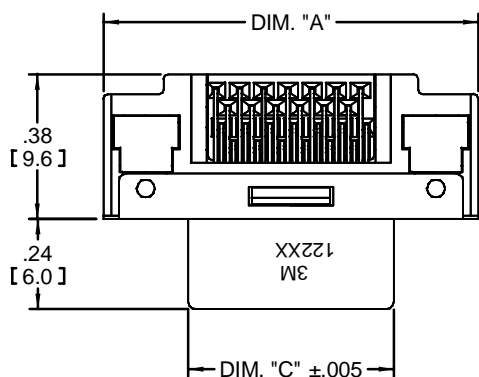
3M
Interconnect Solutions
<http://www.3M.com/interconnects/>

3M is a trademark of 3M Company.
For technical, sales or ordering information call
800-225-5373

3M™ Shrunk Delta Ribbon (SDR) Connectors

.80 mm Thru-Hole, Right Angle, Receptacle, Shielded

122 Series



SCREW LOCK
M2 X 0.4

POSITION	DIM. "A"	DIM. "B"	DIM. "C"	DIM. "D"	DIM. "E"	DIM. "F"
14	.79 [20.0]	.57 [14.4]	.35 [8.8]	.19 [4.8]	.20 [5.2]	.18 [4.6]
26	.98 [24.8]	.76 [19.2]	.54 [13.6]	.38 [9.6]	.39 [10.0]	.18 [4.6]
50	1.35 [34.4]	1.13 [28.8]	.91 [23.2]	.76 [19.2]	.77 [19.6]	.18 [4.6]

Connector Dimension Table
Table 1



Inch
[mm]

Tolerance Unless Noted		
	.0	.00
inch	±.1	±.01

[] Dimensions for Reference Only

Ordering Information

122XX-5150-00FR

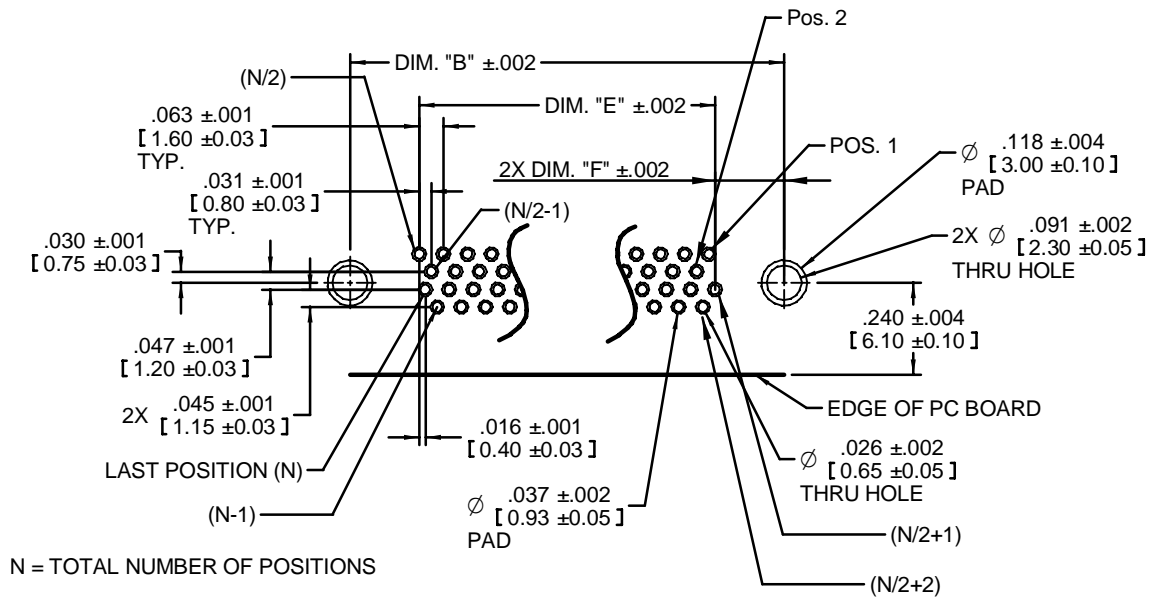
Contact Quantity:
see (table 1)

TS-2124-02
Sheet 2 of 3

3M™ Shrunk Delta Ribbon (SDR) Connectors

.80 mm Thru-Hole, Right Angle, Receptacle, Shielded

122 Series



RECOMMENDED PC BOARD LAYOUT

POSITION	DIM. "X"	DIM. "Y"
14	.41 [10.5]	.57 [14.4]
26	.60 [15.3]	.76 [19.2]
50	.98 [24.9]	1.13 [28.8]

Recommended Panel Cut-Out Dimension Table
Table - 2

TS-2124-02
Sheet 3 of 3

Important Notice

All statements, technical information, and recommendations related to 3M's products are based on information believed to be reliable, but the accuracy or completeness is not guaranteed. Before using this product, you must evaluate it and determine if it is suitable for your intended application. You assume all risks and liability associated with such use. Any statements related to the product which are not contained in 3M's current publications, or any contrary statements contained on your purchase order shall have no force or effect unless expressly agreed upon, in writing, by an authorized officer of 3M.

3M

3M Electronics

6801 River Place Blvd.
Austin, TX 78726-9000
800/225-5373
www.3M.com/electronics

Warranty; Limited Remedy; Limited Liability.

This product will be free from defects in material and manufacture for a period of one (1) year from the time of purchase. **3M MAKES NO OTHER WARRANTIES INCLUDING, BUT NOT LIMITED TO, ANY IMPLIED WARRANTY OF MERCHANTABILITY OR FITNESS FOR A PARTICULAR PURPOSE.** If this product is defective within the warranty period stated above, your exclusive remedy shall be, at 3M's option, to replace or repair the 3M product or refund the purchase price of the 3M product. **Except where prohibited by law, 3M will not be liable for any indirect, special, incidental or consequential loss or damage arising from this 3M product, regardless of the legal theory asserted.**



*Minimum 10%
Post-Consumer Fiber*

Printed in USA.

© 3M 2006