

REFERENCE SPECIFICATIONS

-NFC 93425 (in compliance with HE 507)

PHYSICAL CHARACTERISTICS

-INSULATOR MATERIAL: THERMOPLASTIC .UL94V0

-ACCESSORIES: BRASS

-SHELLS: STEEL

ELECTRICAL CHARACTERISTICS

-CONTACT/CONTACT : >=1000 V

-CONTACT/GROUND : >=1200 V

-INSULATION RESISTANCE: >=5000 MOhms

ENVIRONMENTAL CHARACTERISTICS

- CLIMATIC CATEGORY: 55/125/21

TEMPERATURE RANGE -55°C TO +125°C

DAMP HEAT STEADY STATE 21 DAYS

SALT SPRAY 24 HOURS

MECHANICAL CHARACTERISTICS

- RETENTION AGAINST TORQUE: - Threaded insert: 0.7 N.m minimum

- Female screw : 0.5 N.m minimum

NOTE RoHS INFORMATION

- The "LF" products meet european union Directives and other country regulations as described in GS-22-008.
- Shell plating :2 to 4µm Cu+ Ni + 3 to 10µmm Sn(pure bright)
- Accessories: Sn pure bright + nickel
- Packaging spec: See GS-14-920

Series → **DBL5W5SA00LF**

Shell size: E A B C
see sheet 2

Front accessory definition
see sheet 2

- Blank :without accessory
- L : Threaded insert M3
- O : Threaded insert UNC 4-40
- V : Female screw UNC 4-40

Layout of contacts (see sheet 3)

Contacts

S :Socket

PCB accessory definition

A without accessory on PCB

Power contacts

00 without power contact

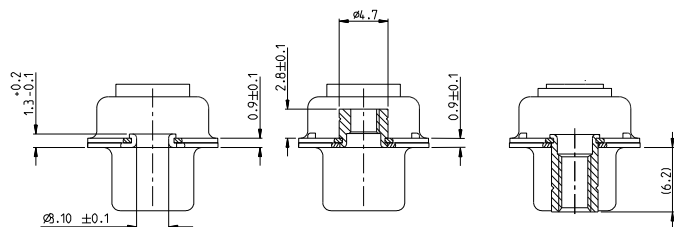
See note RoHS



REV	REV NO	DR	DATE
A	1505-0113	MPE	2005-11-28
B	1506-0208	LGO	2006-12-13
C	1507-0273	HR	2007-01-05
D	1509-0074	LSA	2009-05-06

www.fciconnect.com		surface	ISO 1302	tolerance	std	projection	mm
					ISO 456	ISO 1101	
TOLERANCES UNLESS OTHERWISE SPECIFIED							
DR	M PESSON	2005-10-11	ANGULAR	0.1	0.3	6149	Scale
Eng	P LEGARE	2005-10-11	LINEAR	0.1X	0.1		2:1
Chr			°	0.2XX	0.05	ECN	F09-0074
Appr			Product family			Spec ref	
FCI		SUB FEMALE DW	full power without contact	mm	C01-8639-2311	Rev.	D

Copyright FCI



FRONT ACCESSORY	Blank without	L	insert M3	V	Female screw UNC 4-40	
		Q	insert UNC 4.40			
PCB ACCESSORIES	A	without	A	without	A	without

PART NUMBER	FRONT ACCESSORY	PCB ACCESSORY
D*xW xSA00LF	WITHOUT	WITHOUT
D*vW xSA00LF	Female screw UNC 4-40	WITHOUT
D*LxW xSA00LF	Insert M3	WITHOUT
D*QxW xSA00LF	Insert UNC 4-40	WITHOUT

shell size LAYOUTS

E	2V2
A	3V3
A	3W3
B	5W5
C	8W8

SCALE:4

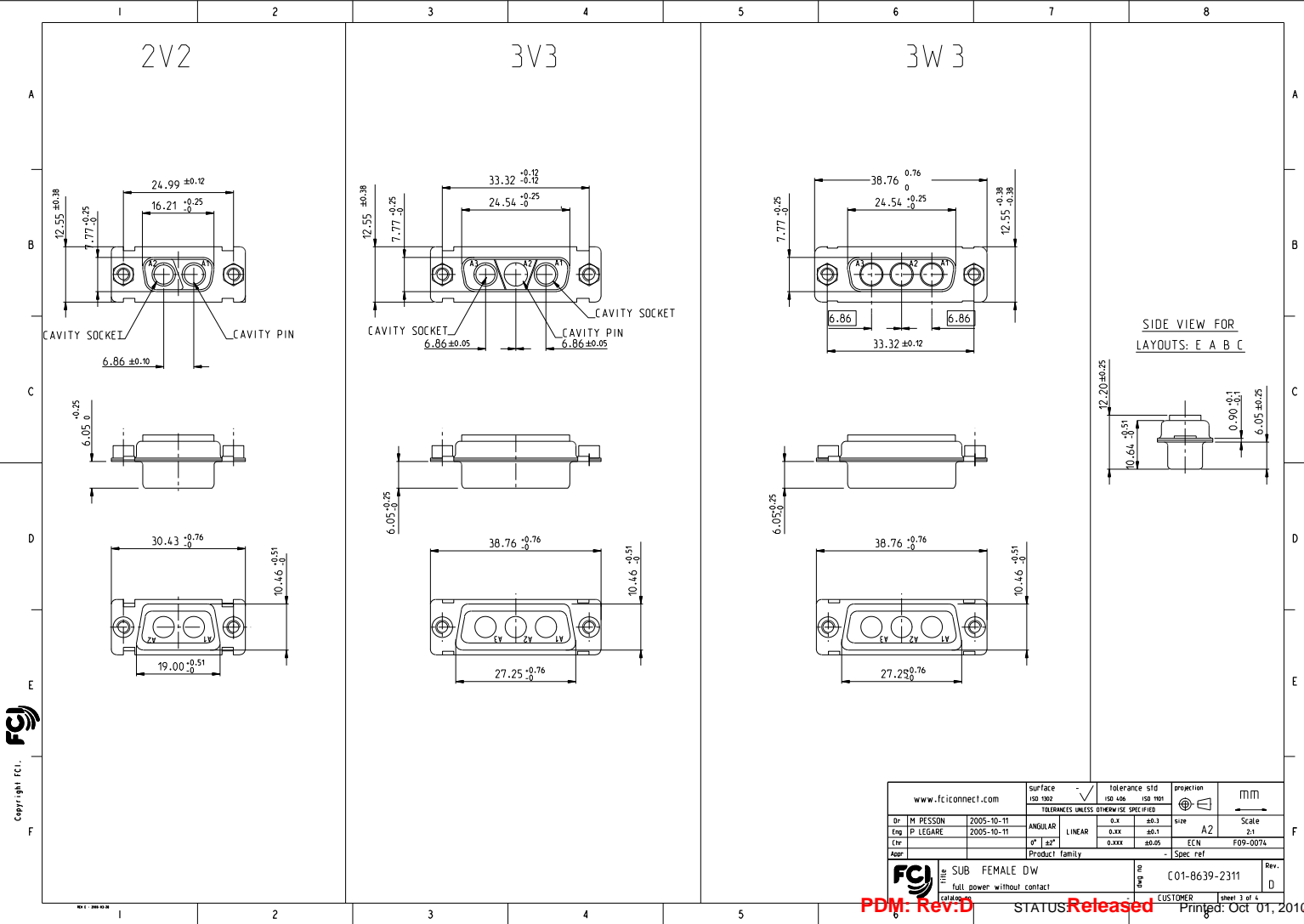
www.fciconnect.com		surface ISO 1302	tolerance std ISO 406	projection ISO 1101	mm
TOLERANCES UNLESS OTHERWISE SPECIFIED					
Dr	M PESSON	2005-10-11	ANGULAR	0.1	0.3
Eng	P LEGARE	2005-10-11	LINEAR	0.2X	0.1
Chr			°	0.2XX	0.05
Appr			Product family		Spec ref

FCI	SUB FEMALE DW	Rev.
full power without contact		D
CUSTOMER	C01-8639-2311	Sheet 2 of 4

PDM: Rev.D

STATUS Released

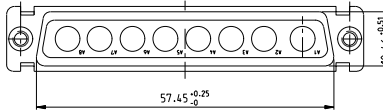
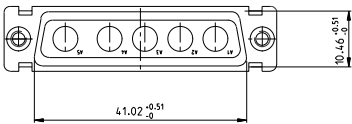
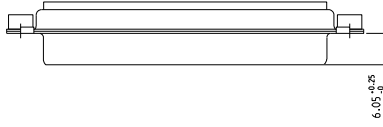
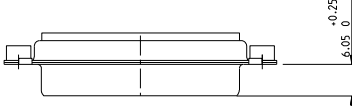
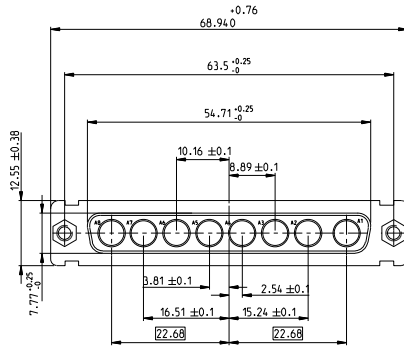
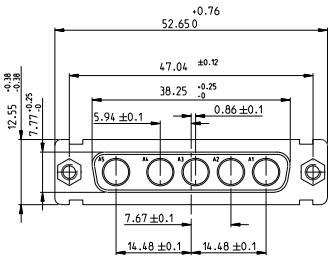
Printed: Oct 01, 2010



www.fciconnect.com		surface ISO 1302	tolerance std ISO 406 ISO 1101	projection ISO 1008	mm
TOLERANCES UNLESS OTHERWISE SPECIFIED					
Dr. M. PESSON	2005-10-11	ANGULAR	0.X	80.3	6140
Eng. P. LEGARE	2005-10-11	LINEAR	0.3XX	80.1	A2
ECN		°	0.2XX	80.05	ECN F09-0074
Appr.		Product family			Spec ref
FCI SUB FEMALE DW		full power without contact		01-8639-2311	Rev. D

5W 5

8W 8



Copyright FCI

www.fciconnect.com		surface ISO 1302	tolerance std ISO 406	projection ISO 1101	mm
		TOLERANCES UNLESS OTHERWISE SPECIFIED			
Dr. M. PESSON	2005-10-11	ANGULAR	0.X	80.3	6140
Eng. P. LEGARE	2005-10-11	LINEAR	0.XX	80.1	A2
Chr.		°	0.XXX	80.05	ECN
Appr.		Product family			FD9-0074
					Spec ref

FCI	Sub FEMALE DW	Rev.
Full power without contact		D
	C01-8639-2311	

PDM: Rev.D STATUS Released CUSTOMER Printed: Oct 01, 2010