

# D Sub Connectors

50 Position EMI Junction Shell

3357-9250 Series



- Cast aluminum shell provides EMI/ESD protection
- Spring latch allows positive, quick and easy connect and disconnect
- Strain relief compensates for various round cable outside diameters
- Nickel plating provides attractive and corrosion-resistant features

Date Modified: February 19, 1999

TS-0245-05  
Sheet 1 of 2

58

## Physical

### Junction Shell Kit

Hardware Included: (2) Shell Halves - Die Cast Aluminum Alloy, Clear Chromate  
(2)  $8 \times 32 \times 3/8$  - Steel, Zinc  
(2) Latch - Stainless Steel  
(1) Tape Strip

### Latch Bracket Kit

Hardware Included: (1) Bracket - Stainless Steel  
(2) Screws #4-40  $\times 7/16$  - Steel, Zinc  
(6) Flat Washers - Steel, Zinc  
(2) Spring Washers - Steel, Zinc

---

### 3M Interconnect Solutions Division

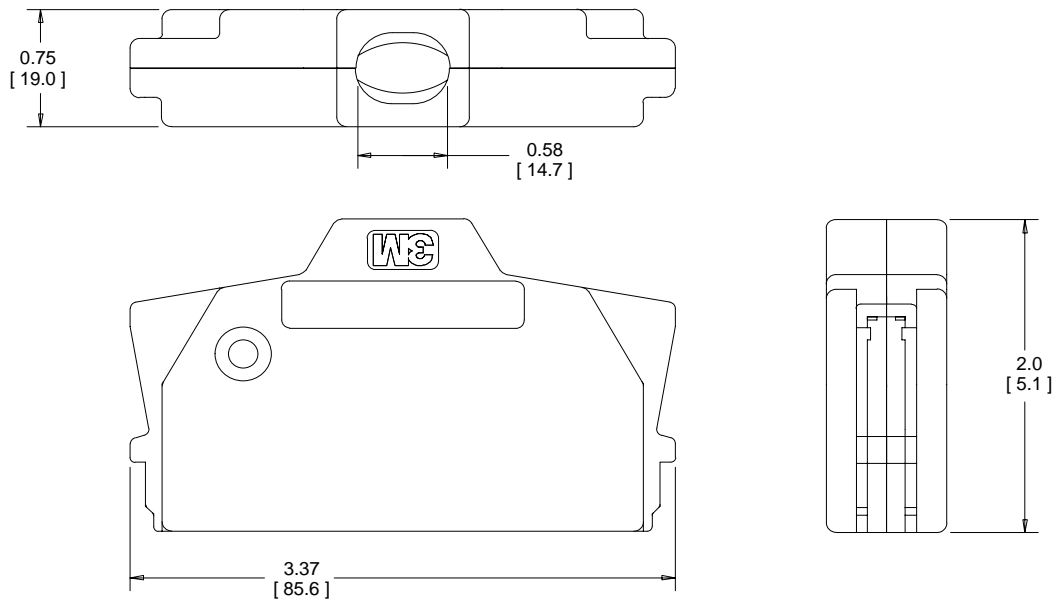
6801 River Place Blvd.  
Austin, TX 78726-9000

For technical, sales or ordering information call  
**800-225-5373**

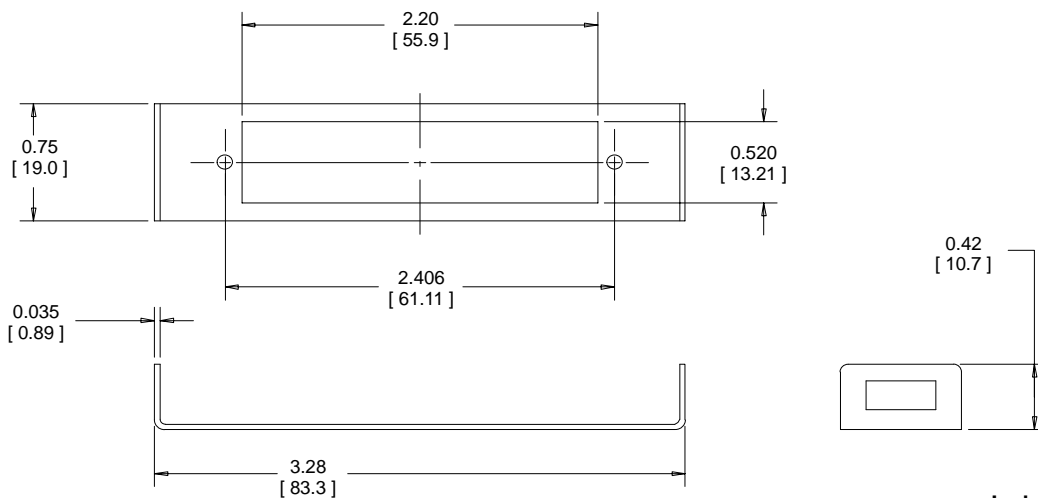
# D Sub Connectors

## 50 Position EMI Junction Shell

3357-9250 Series



Junction Shell



Latch Bracket

**Inch**  
[mm]

Tolerance Unless Noted			
	.0	.00	.000
Inch	±.1	±.01	±.005

[ ] Dimensions for Reference only

Note: Maximum Panel Thickness for Latch Bracket is 3/32".

### Ordering Information

**Junction Shell**

**3357-9250**

**Latch Bracket**  
(Order Separately)

**3505-62**

TS-0245-05  
Sheet 2 of 2