

# 3M™ Mini D Ribbon (MDR) Connectors

.050" IDC Wiremount Plug - Shielded

101 Series



- Wiper-on-wiper contact for reliable repetitive plugging
- MDR digital LCD interface as a 20 or 26 contact connector
- IEEE 1284C Interface as a 36 contact connector
- Accepts a wide variety of cable constructions including flat, round, twisted pair and twinax cables
- Accepts a wide variety of shielded junction shells
- Contacts: 14, 20, 26, 36, 40, 50, 68, 80 and 100
- See Regulatory Information Appendix (RIA) for chemical compliance information

Date Modified: February 7, 2007

TS-0423-14  
Sheet 1 of 3

## Physical

Insulation Material: Glass Reinforced Polyester

Flammability: UL 94V-0

Body Color: Black

Cover Color: Black, Gray

### Contact

Material: Beryllium Copper

Underplating: 80 μ" [ 2.0 μm ] Nickel

Wiping Area Plating: 30 μ" [ 0.76 μm ] Min. Gold

IDC Contacts Plating: Gold flash

### Shroud

Material: Steel

Plating: Nickel

### Wire Accommodation

Black Cover: 28 AWG Stranded, 30 AWG Solid (Insulation Diameter = 0.7 mm Max.)

Gray Cover: 26 AWG Solid (Insulation Diameter = 0.7 mm to 0.9 mm)

Marking: 3M Logo and Part Number

## Electrical

Current Rating: 1 A

Insulation Resistance:  $> 1 \times 10^8 \Omega$  at 500 V<sub>DC</sub>

Withstanding Voltage: 500 V<sub>RMS</sub> for 1 Minute

## Environmental

Temperature Rating: -20°C to +85°C

UL File No.: E68080

# 3M™ Mini D Ribbon (MDR) Connectors

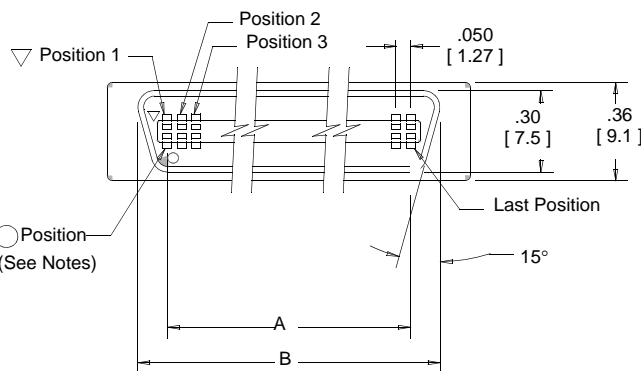
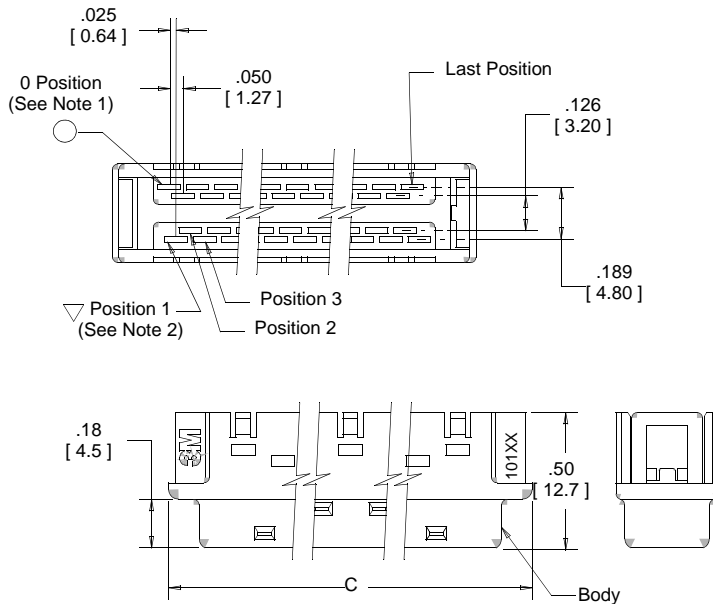
.050" IDC Wiremount Plug - Shielded

101 Series



Contact Quantity	Dimensions			
	A	B	C	D
14	.300 [ 7.62 ]	.54 [ 13.8 ]	.72 [ 18.2 ]	.58 [ 14.7 ]
26	.600 [ 15.24 ]	.84 [ 21.4 ]	1.02 [ 25.8 ]	.88 [ 22.4 ]
50	1.200 [ 30.48 ]	1.44 [ 36.6 ]	1.62 [ 41.1 ]	1.48 [ 37.6 ]

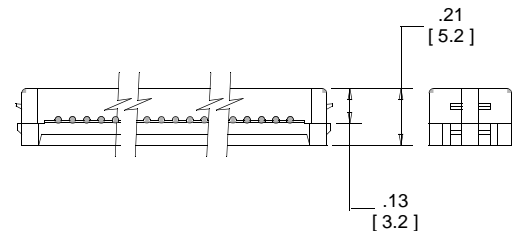
## Body (14, 26 and 50 positions)



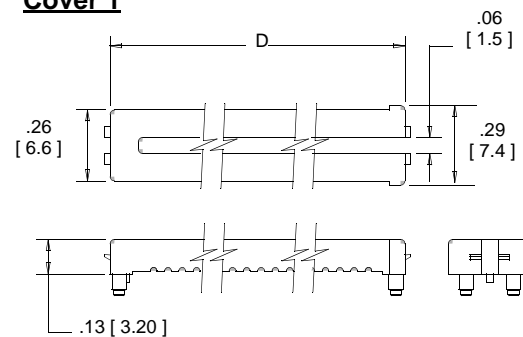
### Notes:

- Circle (O) position indicates #1 position in cable, when utilizing 0.025" pitch flat cable.
- Triangle (∇) position indicates #2 position in cable, when utilizing 0.025" pitch flat cable.

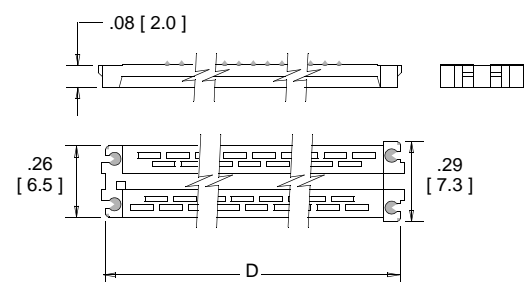
## Cover Assembly



### Cover 1



### Cover 2



Inch  
[mm]

Tolerance Unless Noted			
	.0	.00	.000
inch	±.1	±.01	±.005

[ ] Dimensions for Reference Only

## Ordering Information

(See page 3 for other sizes and assembly tools.)

**101XX-60X0EC**

Contact Quantity  
(See Table)  
Note: 100 pos = A0

Wiping Interface Plating:  
C = 30µ m [ 0.76 mm ] Min. Gold over Ni

Wire Accommodation:  
0 = Black Cover: 28 AWG Stranded, 30 AWG Solid  
1 = Gray Cover: 26 AWG Solid (Available in 68 Contact Only, UL Pending)

IDC Plating:  
E = Gold Flash over Ni  
(App E1 & C1 apply)

TS-0423-14  
Sheet 2 of 3

# 3M™ Mini D Ribbon (MDR) Connectors

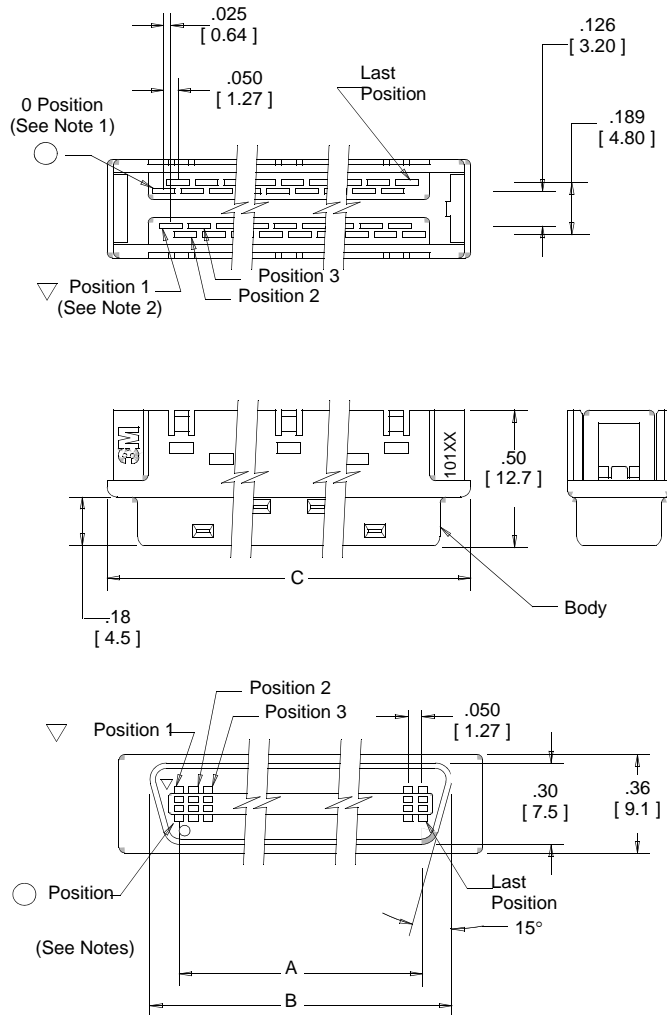
.050" IDC Wiremount Plug - Shielded

101 Series

Contact Quantity	Dimensions			
	A	B	C	D
20	.450 [ 11.43 ]	.69 [ 17.6 ]	.87 [ 22.0 ]	.73 [ 18.6 ]
36	.850 [ 21.59 ]	1.09 [ 27.8 ]	1.27 [ 32.2 ]	1.13 [ 28.7 ]
40	.950 [ 24.13 ]	1.19 [ 30.3 ]	1.37 [ 34.7 ]	1.23 [ 31.3 ]
68	1.650 [ 41.91 ]	1.89 [ 48.1 ]	2.07 [ 52.5 ]	1.93 [ 49.0 ]
80	1.950 [ 49.53 ]	2.16 [ 54.8 ]	2.37 [ 60.1 ]	2.23 [ 56.7 ]
100	2.450 [ 62.23 ]	2.66 [ 67.5 ]	2.87 [ 72.8 ]	2.73 [ 69.4 ]



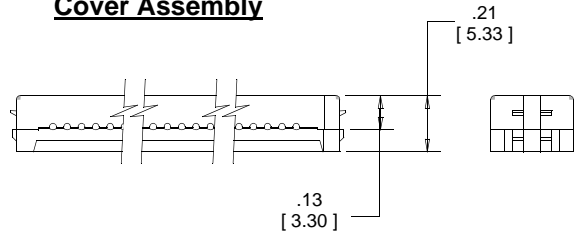
## Body (20, 36, 40, 68, 80 and 100 positions)



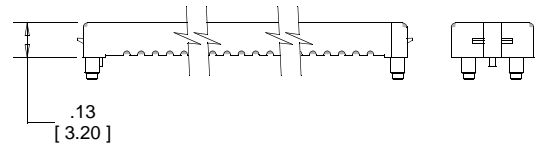
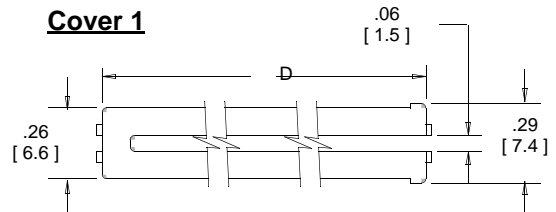
**Notes:**

- 1.Circle (0) position indicates #1 position in cable, when utilizing 0.025" pitch flat cable.
- 2.Triangle (∇) position indicates #2 position in cable, when utilizing 0.025" pitch flat cable.

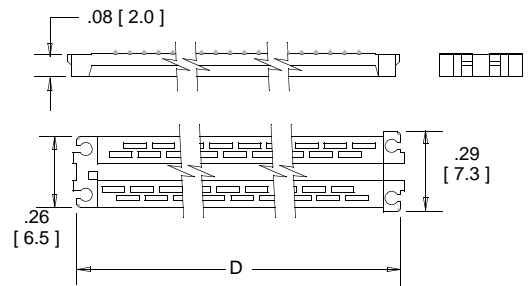
## Cover Assembly



## Cover 1



## Cover 2



Inch  
[mm]

Tolerance Unless Noted			
	.0	.00	.000
inch	±.1	±.01	±.005

[ ] Dimensions for Reference Only

## Ordering Information

### 101XX-60X0EC

Contact Quantity  
(See Table)  
Note: 100 pos = A0

Wiping Interface Plating:  
C = 30µm [ 0.76 mm ] Min. Gold over Ni

Wire Accommodation:  
0 = Black Cover: 28 AWG Stranded, 30 AWG Solid  
1 = Gray Cover: 26 AWG Solid (Available in 68 Contact Only, UL Pending)

IDC Plating:  
E = Gold flash over Ni (App E1 & C1 apply)

3: Assembly tools: 3M™ Hand Press Kit 3829 (68 position & below). All Sizes: 3M™ Assembly Press 10962-2000; 3M™ Lacing Fixture 10962-2000, 3M™ Cutting Unit 10961 & 3M™ Wire Clamp 10964-1 (14-50 pos.) or 3M™ Wire Clamp 10964-2 (68-100 pos.).

TS-0423-14  
Sheet 3 of 3