

Please note that the data given here has been taken from the online catalog. For comprehensive information and data, please refer to the user documentation at <http://www.download.phoenixcontact.com>. The General Terms and Conditions of Use apply to Internet downloads.

## ▶ Extract from the online catalog



SUB-D connector with one cable entry, 25-pos., male version

The illustration shows version SUBCON 9/M-SH

Order No.	2761622
Ord designation	SUBCON 25/M-SH
EAN	4017918107994
Pack	1 Pcs.
Customs tariff	85369010
Catalog page information	Page 403 (IF-2005)

## ▶ Technical data

### General data

Nominal voltage $U_N$	60 V AC/DC
Nominal current $I_N$	1 A
Insertion/withdrawal cycles	> 200
Max. cable diameter	10 mm
Min. cable diameter	4 mm
SUBCON fixing screws	4-40 UNC
Tightening torque	0.4 Nm
Ambient temperature (operation)	-20 ° C ... 75 ° C
Housing material	ABS, metal-plated
Pin assignment	all 1:1

### Connection data

---

Connection	D-SUB connection
Number of positions	25
Type of connection	D-SUB male connector
Connection	PCB connection
Type of connection	Screw connection
Conductor cross section, rigid min.	0.14 mm <sup>2</sup>
Conductor cross section, rigid max.	1.5 mm <sup>2</sup>
Conductor cross section flexible min.	0.14 mm <sup>2</sup>
Conductor cross section, flexible max.	1 mm <sup>2</sup>
Conductor cross section AWG/kcmil min.	26
Conductor cross section AWG/kcmil max	16
Stripping length	5 mm
Tightening torque	0.4 Nm

---

---

**► Certificates**

---

**UL**

Nominal voltage $U_N$	125 V
Nominal current $I_N$	1 A
AWG/kcmil	30-16

---

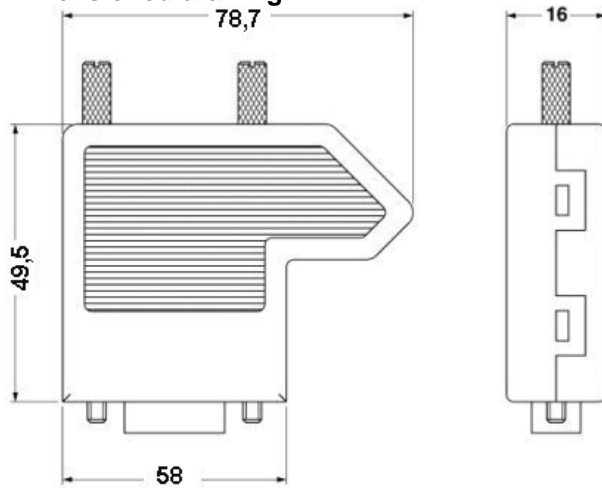
**CUL**

Nominal voltage $U_N$	125 V
Nominal current $I_N$	1 A
AWG/kcmil	30-16

---

► Drawings

Dimensioned drawing



Approval logo



---

► **Accessories**

---

Item	Designation	Description
<b>Assembly</b>		
2799694	SUBCON-SHORT-SCREW	Optional fixing screw, short (w/o knurl)

---

---

► **Address**

---

PHOENIX CONTACT GmbH & Co. KG  
Flachsmarktstr. 8  
32825 Blomberg  
Germany  
Phone +49 5235 3 00  
Fax +49 5235 3 41200  
<http://www.phoenixcontact.com>  
Phoenix Contact  
Technical modifications reserved;