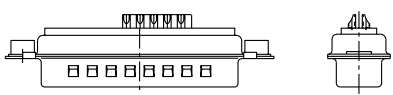
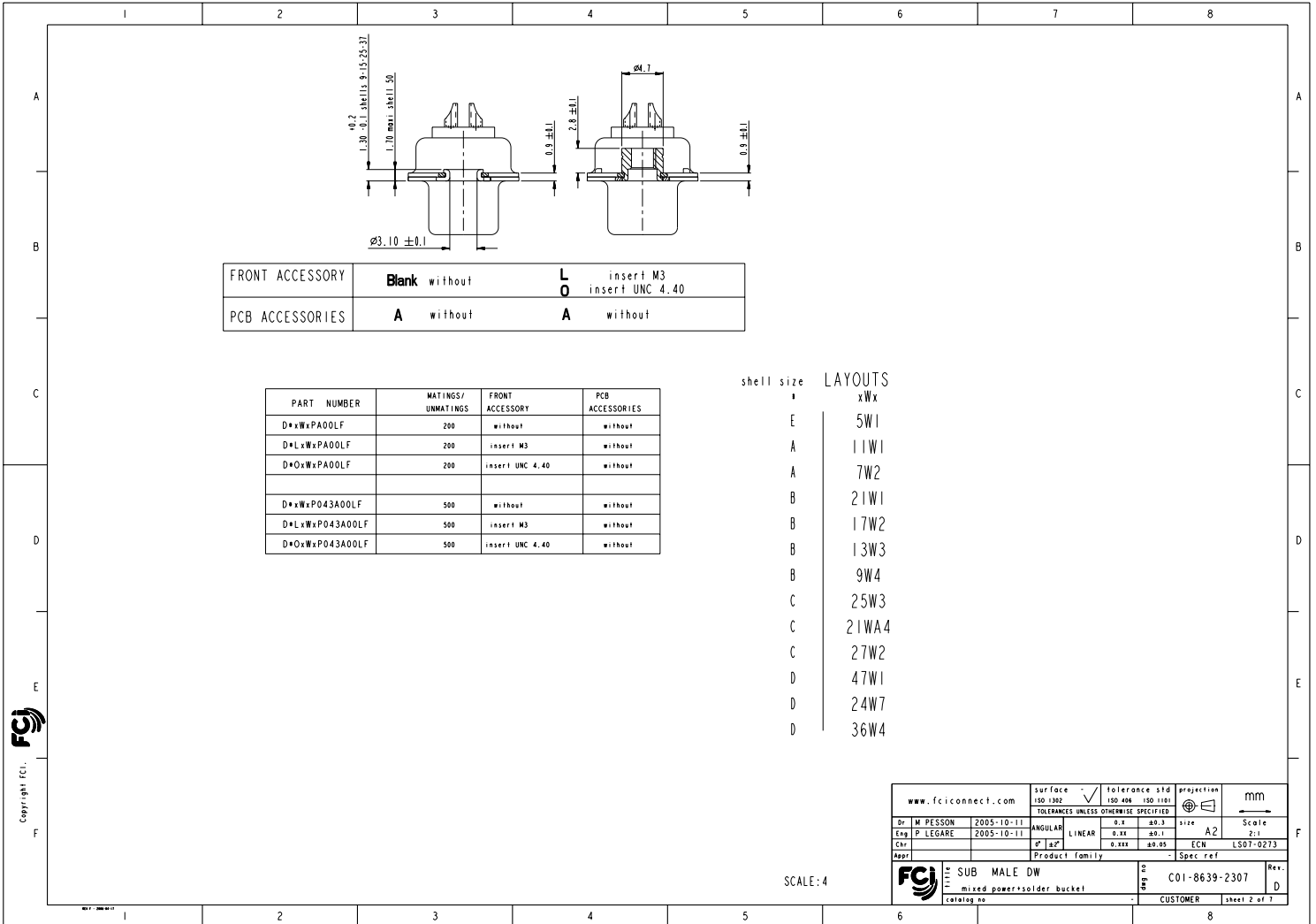


	1	2	3	4	5	6	7	8																																																																																									
A	<p><u>REFERENCE SPECIFICATIONS</u></p> <p>-MFC 93425 (in compliance with HE 507)</p> <p><u>PHYSICAL CHARACTERISTICS</u></p> <p>-INSULATOR MATERIAL: THERMOPLASTIC UL94V0</p> <p>-CONTACT MATERIAL: BRASS</p>			<p>Series ← DBL13W3P043A00LF</p> <p>Shell size: E A B C D see sheet 3</p> <p>Front accessory definition see sheet 2</p> <p>Blank : without accessory L : threaded insert M3 O : threaded insert UNC 4-40</p> <p>Layout of contacts (see sheet 3) ←</p> <p>Contacts ← P : Pin</p> <p>Plating ←</p> <p>Blank signal solder bucket 200 matings/unmatings 043 signal solder bucket 500 matings/unmatings</p> <p>PCB accessory definition ← A without accessory on PCB</p> <p>Power contacts ← 00 without power contact</p> <p>See note RoHS</p>																																																																																													
B	<p>-ACCESSORIES: BRASS</p> <p>-SHELLS: STEEL</p> <p><u>ELECTRICAL CHARACTERISTICS</u></p> <p>-NOMINAL CURRENT: 7.5A</p> <p>-CONTACT RESISTANCE: <= 7.3 m ohms</p> <p>-CONTACT/CONTACT : >=1000 V</p> <p>-CONTACT/GROUND : >=1200 V</p> <p>-INSULATION RESISTANCE: >=5000 MOhms</p> <p><u>ENVIRONMENTAL CHARACTERISTICS</u></p> <p>- CLIMATIC CATEGORY: 55/125/21</p> <p>TEMPERATURE RANGE -55°C TO +125°C</p> <p>DAMP HEAT STEADY STATE 21 DAYS</p> <p>SALT SPRAY 48 HOURS</p>																																																																																																
C	<p><u>MECHANICAL CHARACTERISTICS</u></p> <p>RETENTION AGAINST TORQUE: - Threaded insert: 0.7 N.m minimum - Female screw : 0.5 N.m minimum</p>																																																																																																
D	<p><u>NOTE RoHS INFORMATION</u></p> <ul style="list-style-type: none"> - The "LF" products meet european union Directives and other country regulations as described in GS-22-008. - Termination plating spec: Ni + Gold - Active area plating spec: Ni + Gold - Shell plating :2 to 4µm Cu + Ni + 3 to 10µmm Sn,pure bright - Accessories: Sn pure bright + nickel - Packaging spec: See GS-14-920 																																																																																																
E	<p>FCI Copyright FCI</p>			<p>13W3 FOR EXAMPLE</p> 																																																																																													
F				<table border="1"> <tr> <td>rev</td> <td>ck</td> <td>no</td> <td>df</td> <td>date</td> <td>Dr</td> <td>M PESSON</td> <td>2005-10-11</td> <td>surface</td> <td>ISO 1302</td> <td>tolerance std</td> <td>ISO 406</td> <td>ISO 1101</td> <td>projection</td> <td>mm</td> </tr> <tr> <td>A</td> <td>LS85-0101</td> <td>MPE</td> <td></td> <td>2005-10-11</td> <td>Eng</td> <td>P LEGARE</td> <td>2005-10-11</td> <td>ANGULAR</td> <td>LINEAR</td> <td>0.X</td> <td>00.3</td> <td>00.1</td> <td>A2</td> <td>Scale</td> </tr> <tr> <td>B</td> <td>LS86-0206</td> <td>LOO</td> <td></td> <td>2006-12-13</td> <td>Chr</td> <td></td> <td></td> <td>0.XX</td> <td>00.1</td> <td>0.XXX</td> <td>00.05</td> <td>ECN</td> <td>LS07-0273</td> <td>2:1</td> </tr> <tr> <td>C</td> <td>LS07-0273</td> <td>MPE</td> <td></td> <td>2007-06-18</td> <td>Appr</td> <td></td> <td></td> <td colspan="2">Product family</td> <td colspan="2">- Spec ref</td> <td></td> <td></td> <td></td> </tr> <tr> <td>D</td> <td>LS07-0273</td> <td>MPE</td> <td></td> <td>2007/10/31</td> <td></td> <td></td> <td></td> <td colspan="2">SUB MALE DW</td> <td colspan="2">C01-8639-2307</td> <td>Rev.</td> <td>D</td> <td></td> </tr> <tr> <td></td> <td></td> <td></td> <td></td> <td></td> <td></td> <td></td> <td></td> <td colspan="2">mixed power+solder bucket</td> <td colspan="2">CUSTOMER</td> <td>sheet</td> <td>1 of 7</td> <td></td> </tr> </table>		rev	ck	no	df	date	Dr	M PESSON	2005-10-11	surface	ISO 1302	tolerance std	ISO 406	ISO 1101	projection	mm	A	LS85-0101	MPE		2005-10-11	Eng	P LEGARE	2005-10-11	ANGULAR	LINEAR	0.X	00.3	00.1	A2	Scale	B	LS86-0206	LOO		2006-12-13	Chr			0.XX	00.1	0.XXX	00.05	ECN	LS07-0273	2:1	C	LS07-0273	MPE		2007-06-18	Appr			Product family		- Spec ref					D	LS07-0273	MPE		2007/10/31				SUB MALE DW		C01-8639-2307		Rev.	D										mixed power+solder bucket		CUSTOMER		sheet	1 of 7			
rev	ck	no	df	date	Dr	M PESSON	2005-10-11	surface	ISO 1302	tolerance std	ISO 406	ISO 1101	projection	mm																																																																																			
A	LS85-0101	MPE		2005-10-11	Eng	P LEGARE	2005-10-11	ANGULAR	LINEAR	0.X	00.3	00.1	A2	Scale																																																																																			
B	LS86-0206	LOO		2006-12-13	Chr			0.XX	00.1	0.XXX	00.05	ECN	LS07-0273	2:1																																																																																			
C	LS07-0273	MPE		2007-06-18	Appr			Product family		- Spec ref																																																																																							
D	LS07-0273	MPE		2007/10/31				SUB MALE DW		C01-8639-2307		Rev.	D																																																																																				
								mixed power+solder bucket		CUSTOMER		sheet	1 of 7																																																																																				
	1	2	3	4	5	6	7	8																																																																																									

PDM: Rev:D

STATUS Released

Printed: Oct 01, 2010



FRONT ACCESSORY	Blank without	L insert M3	insert UNC 4.40
PCB ACCESSORIES	A without	A without	

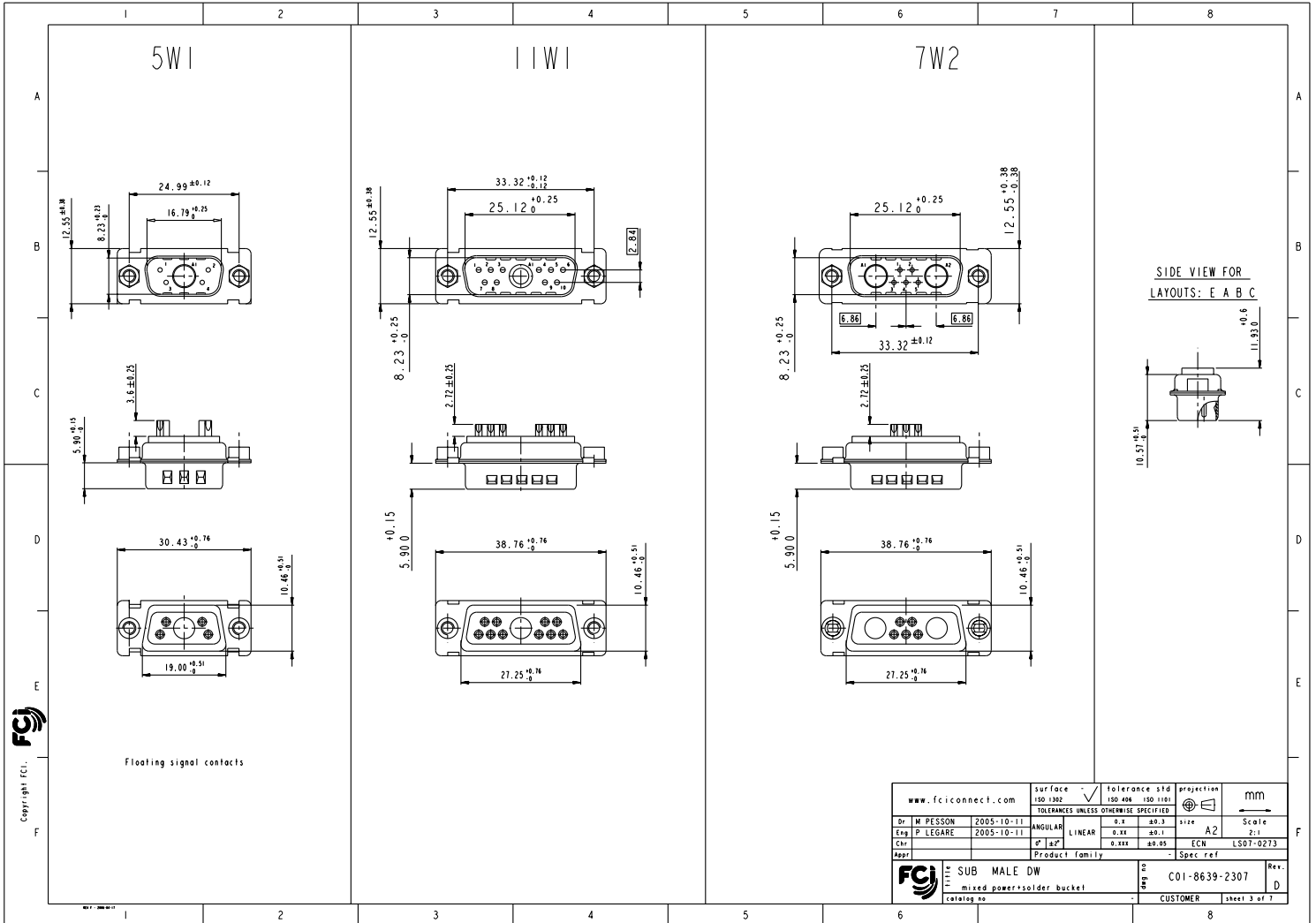
PART NUMBER	MATINGS/ UNMATINGS	FRONT ACCESSORY	PCB ACCESSORIES
D*xWxPA00LF	200	without	without
D*LxWxPA00LF	200	insert M3	without
D*OxWxPA00LF	200	insert UNC 4.40	without
D*xWxP043A00LF	500	without	without
D*LxWxP043A00LF	500	insert M3	without
D*OxWxP043A00LF	500	insert UNC 4.40	without

shell size	LAYOUTS
E	5W1
A	11W1
A	7W2
B	21W1
B	17W2
B	13W3
B	9W4
C	25W3
C	21WA4
C	27W2
D	47W1
D	24W7
D	36W4

Copyright FCI

www.fciconnect.com		surface	tolerance std	projection	mm
		ISO 1302	ISO 406 ISO 1101		
		TOLERANCES UNLESS OTHERWISE SPECIFIED			
Dr	M PESSON	2005-10-11	ANGULAR	0.1 0.3	size A2
Eng	P LEGARE	2005-10-11	LINEAR	0.1x 0.1	Scale 2:1
Chr			0.1x 0.05	ECN	LS07-0273
Appr			Product family	Spec ref	
FCI SUB MALE DW		REV	C01-8639-2307	Rev.	D
mixed power solder bucket		catalog no	CUSTOMER	sheet 2 of 7	

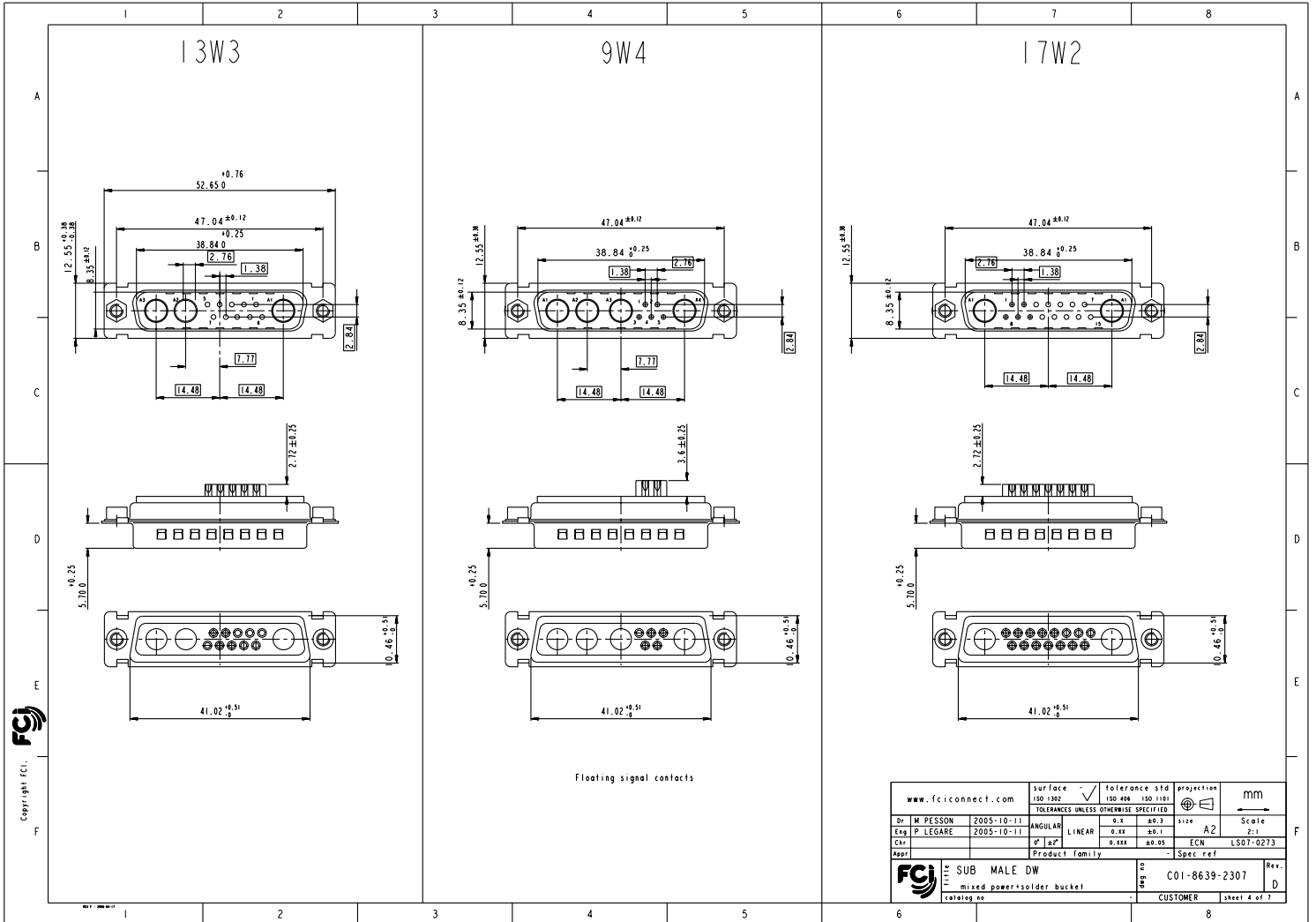
SCALE: 4



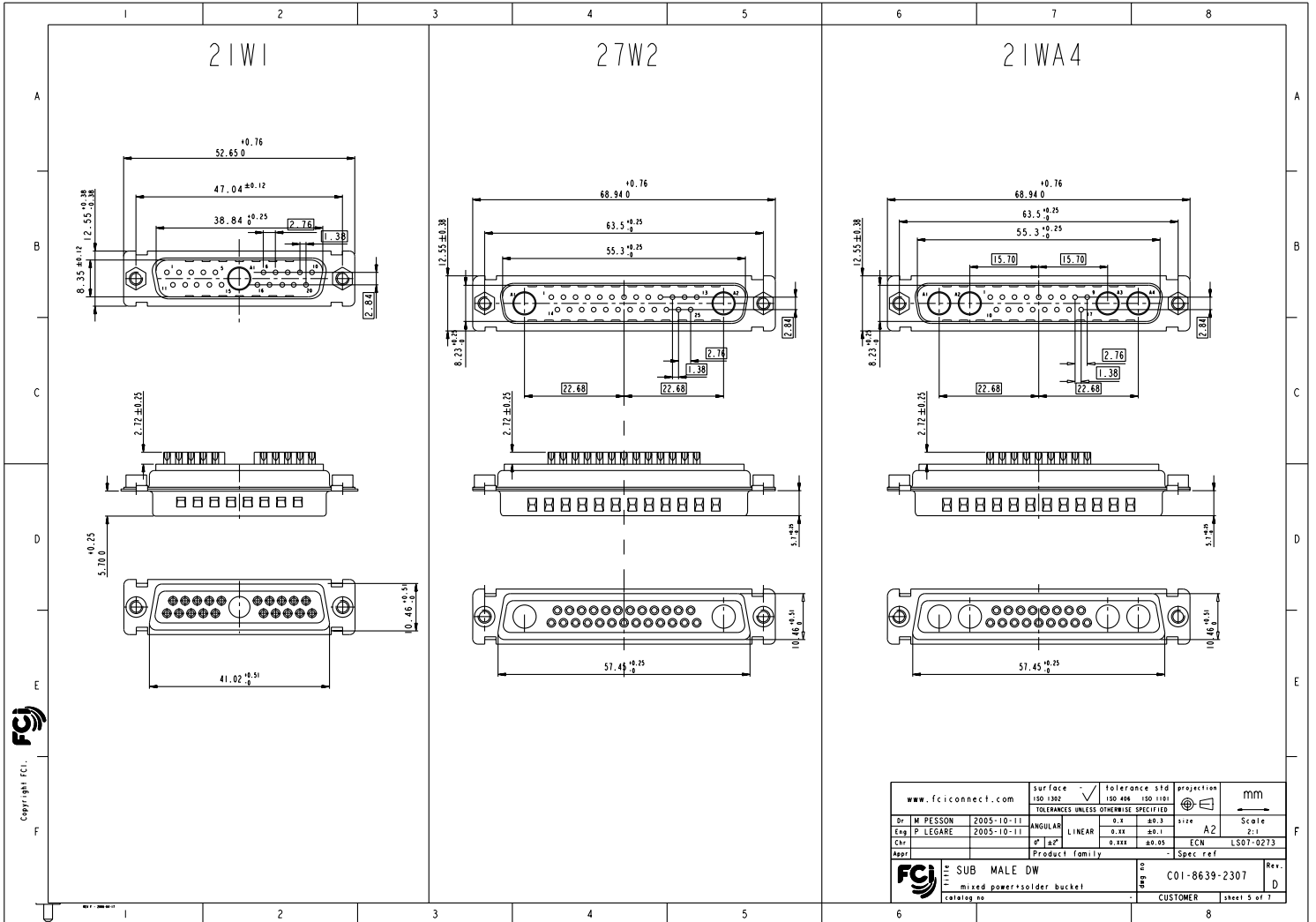
PDM: Rev:D

STATUS Released

Printed: Oct 01, 2010

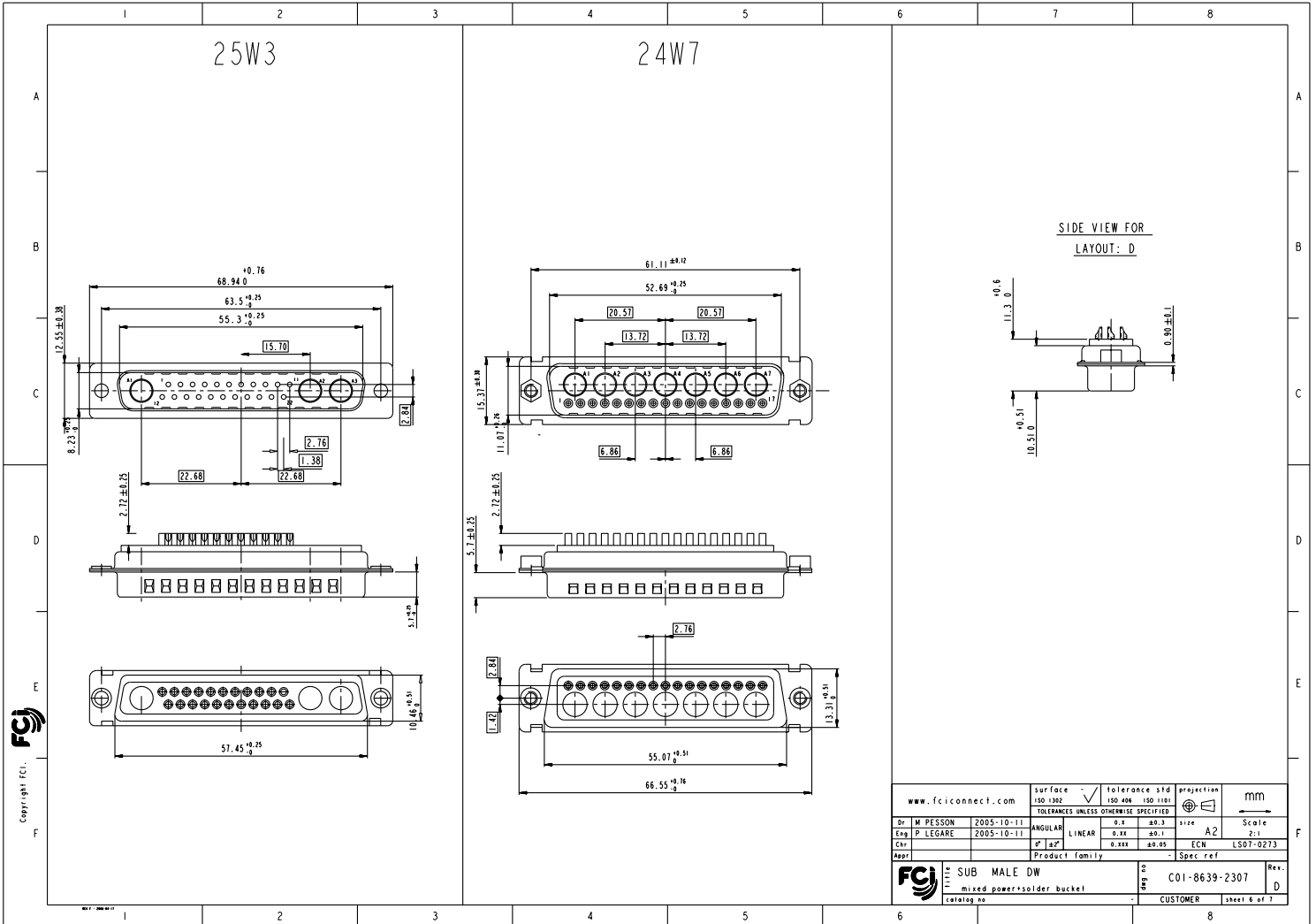


PDM: Rev:D STATUS Released Printed: Oct 01, 2010



Copyright FCI

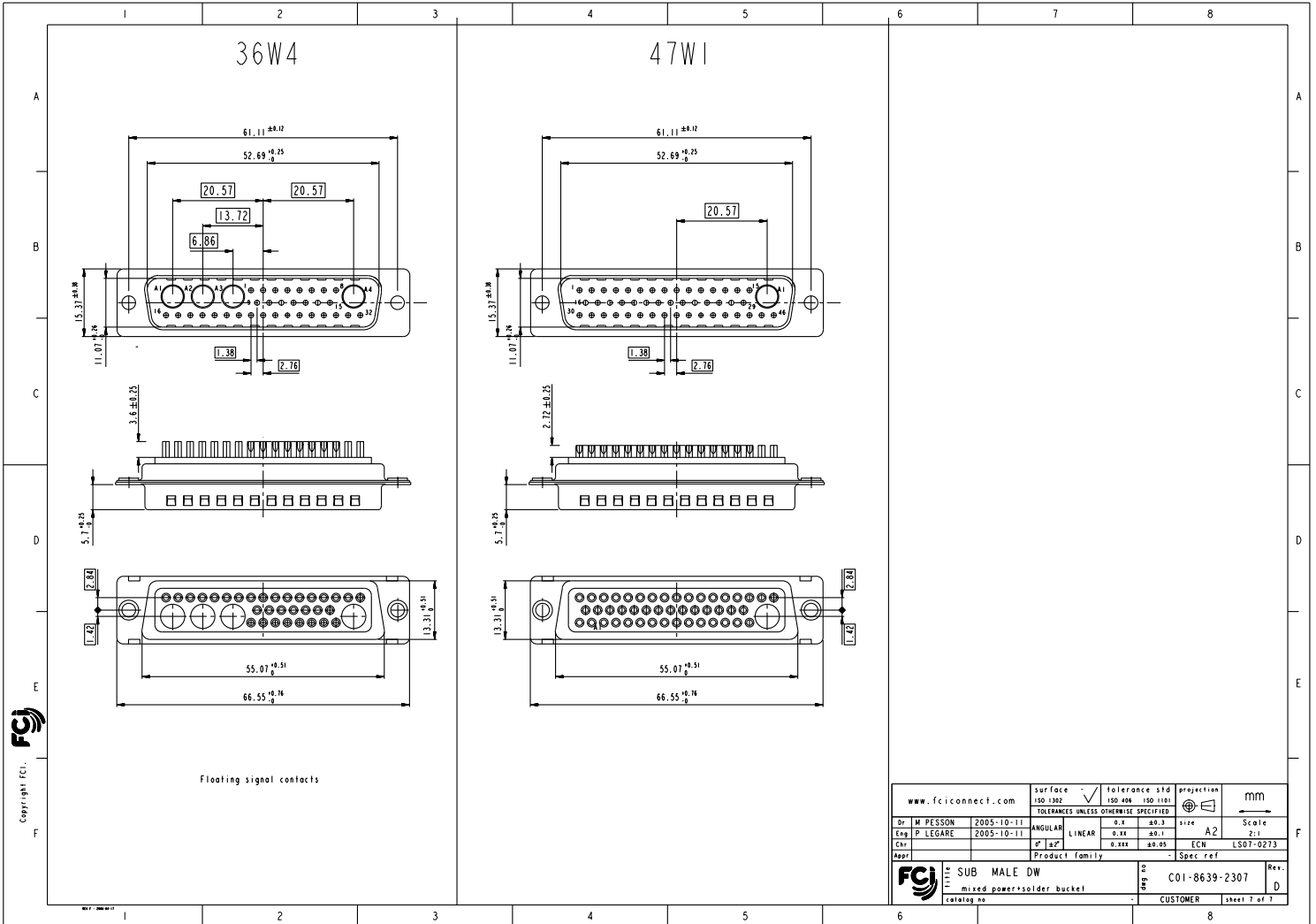
www.fciconnect.com		Surface	tolerance std	projection	mm
		ISO 1302	ISO 406	ISO 1101	
		TOLERANCES UNLESS OTHERWISE SPECIFIED			
Dr	M PESSON	2005-10-11	ANGULAR	0.1	20.3
Eng	P LEGARE	2005-10-11	LINEAR	0.1X	20.1
Chr			0.1X	20.05	ECN
Appr			Product family		Spec ref
FCI		SUB MALE DW		REV	C01-8639-2307
		mixed power+solder bucket			CUSTOMER
		catalog no			sheet 5 of 7



PDM: Rev:D

STATUS Released

Printed: Oct 01, 2010



PDM: Rev:D

STATUS Released

Printed: Oct 01, 2010