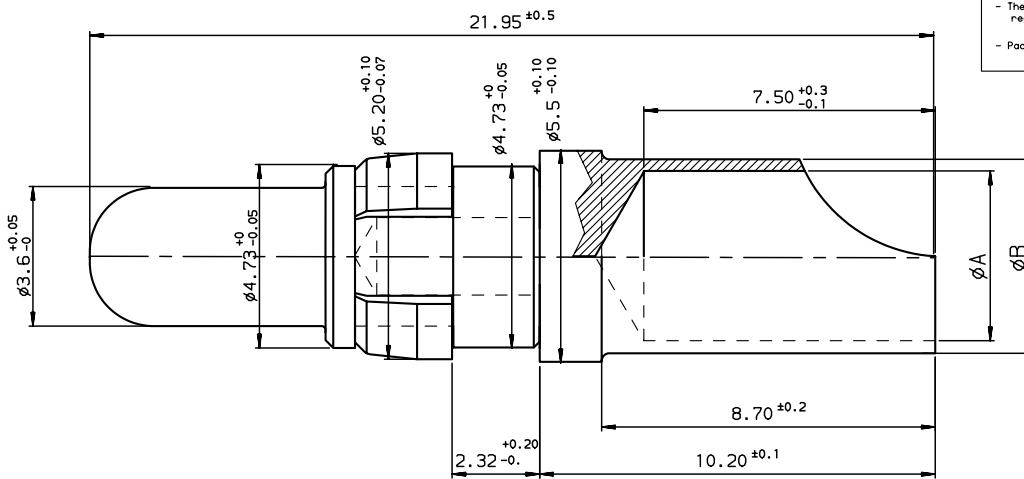


		Core range					
8638PPS4005	8638PPS4005LF	40	8	Section 8.98 mm ² Ø Ame 3.90 mm	4.40	5.50	blue
8638PPS2005	8638PPS2005LF	20	12	Section 3.18 mm ² Ø Ame 2.40 mm	2.80	3.65	red
8638PPS1005	8638PPS1005LF	10	16	Section 1.34 mm ² Ø Ame 1.50 mm	1.70	2.60	black
TIN LEAD PART NUMBER	LEAD FREE PART NUMBER	CURRENT max A	AWG	mm ² WIRE AREA	ØA ^{+0.10} ₋₀	ØB ^{+0.10}	COLOUR CLIP

NOTE:RoHS INFORMATIONS

- The "LF" products meet European union Directives and other country regulations as described in 65-22-00B.
- Termination plating spec: Cu 2 +0 +2 µm, Sn 3 +0 +3µm (pure matte)
- Packaging spec: see 65-14-920 contact:CuZn40 Pb3 1µNi+gold



Materials and finish for TIN LEAD

- contact:CuZn40 Pb3 1µNi+gold
 - Solder buckets:CuZn36Pb3 2µNi+2µSnPb mini
 - Clip : plastic
- Technical characteristics**
- Peak voltage: 750Veff.
 - Operating voltage: 500Veff.
 - Temperature range:-55°C ÷125°C
 - Packaging per 100
 - Current capability see table

Mechanical characteristics:

- Mechanical endurance : > 200 matings/unmatings .
 - Contact insertion force in insulator:
 - 60N maxi in a hole of 4.80mm
- Examination of product:**
- Remove all burrs and sharp edges 0.08 maxi
 - No scratch on all pieces

European Views

www.fciconnect.com		surface ISO 1302	tolerance std ISO 406 ISO 1101	projection mm
TOLERANCES UNLESS OTHERWISE SPECIFIED				
Dr	JARRY	1994/12/12	ANGULAR	0.X ±0.1
Eng	PESSON	1994/12/12	LINEAR	0.XX ±0.1
Chr	LEGARE	1994/12/12	0.III' ±2'	0.XXX ±0.1
Appr	LEGARE	1994/12/12	Product family	D-SUB
FCI			title	size
SOLDER CONNECTION			MALE POWER CONTACT FOR	A3
catalog no			010	Scale
			C01-8638-0334-1	10
			CUSTOMER	Rev.
			sheet 1 of 1	6

rev	ecn no	dr	date
D	-	BAR	2003/04/17
E	LS05-005	MPE	2005/04/05
F	LS06-0097	LGO	2006/07/27
G	LS08-0029	MPE	2008/01/28
-	-	-	-
-	-	-	-
-	-	-	-

REV F - 2006-04-17

PDM: Rev:G STATUS **Released** Printed: Oct 01, 2010