

4

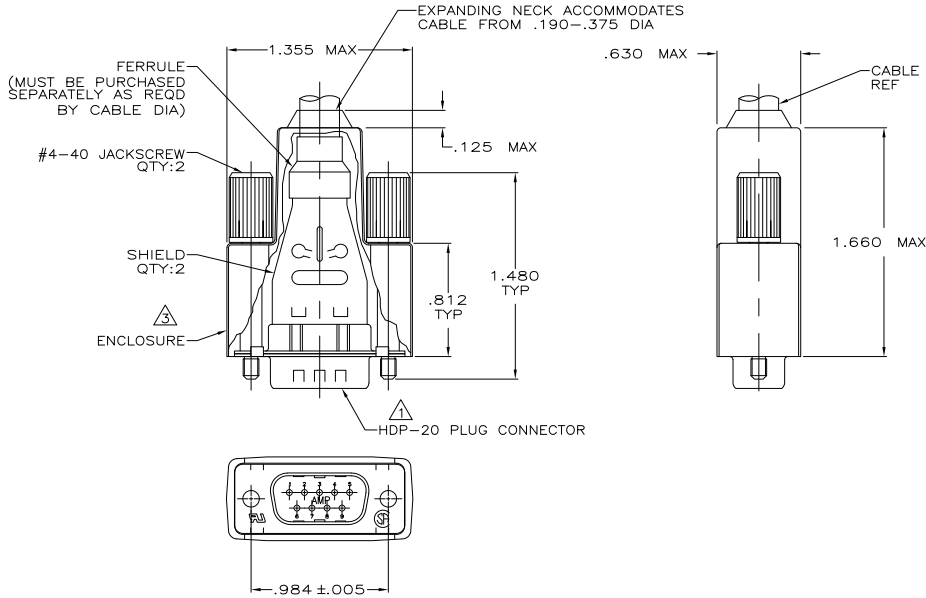
3

2

1

THIS DRAWING IS UNPUBLISHED. RELEASED FOR PUBLICATION. ALL RIGHTS RESERVED.

LOC	DIST	REVISIONS					
GP	00	P	LTR	DESCRIPTION	DATE	BY	APPD
		P		REVISED PER ECO-11-004835	11MAR11	RK	HMR



- ⚠️ PLUG ACCEPTS SIZE 20 DF PIN CONTACTS. CONTACTS MUST BE PURCHASED SEPARATELY.
- 2. ALL PARTS SHIPPED UNASSEMBLED.
- ⚠️ FLAME RETARDANT 94V-0 RATED, STYRENE POLYOLEFIN OR PVC, BLACK.
- ⚠️ FLAME RETARDANT 94V-0 RATED GLASS FILLED, NYLON OR POLYESTER, BLACK.
- ⚠️ STEEL PER ASTM A109.
- ⚠️ .000200 MIN TIN PLATE OVER .000100 MIN COPPER UNDERPLATE.
- ⚠️ COMPONENTS INDIVIDUALLY BULK PACKED.
- ⚠️ ZINC ALLOY.
- ⚠️ ZINC PHOSPHATE COATING, BLACK.

⚠️	W/LOGO	⚠️	⚠️	1658655-1
PACKAGING	REMARKS	JACKSCREWS FINISH	JACKSCREWS MATERIAL	PART NUMBER

THIS DRAWING IS A CONTROLLED DOCUMENT.		DRN	31JUL03	 TE Connectivity	PLUG KIT, SHIELDING ENCLOSURE, 9 POSN, SIZE 1, AMPLIMITE™ HDP-20	RESTRICTED TO
DIMENSIONS:		CHK	31JUL03			
INCHES		APPD	31JUL03			
0 PLC # - 1 PLC # - 2 PLC # - 3 PLC # 500 4 PLC # - ANGLES # -		NAME	M. WALMSLEY			
MATERIAL INSERT: ⚠️		PRODUCT SPEC	108-40030	SIZE	CAGE CODE	DRAWING NO
SHELLS & SHIELDS: ⚠️		APPLICATION SPEC	114-40030	A2	00779	C=1658655
JACKSCREWS: SEE TABLE		FINISH	RIGHT	SCALE	2:1	SHEET 1 of 1
		FINISH	CUSTOMER DRAWING	REV	P	