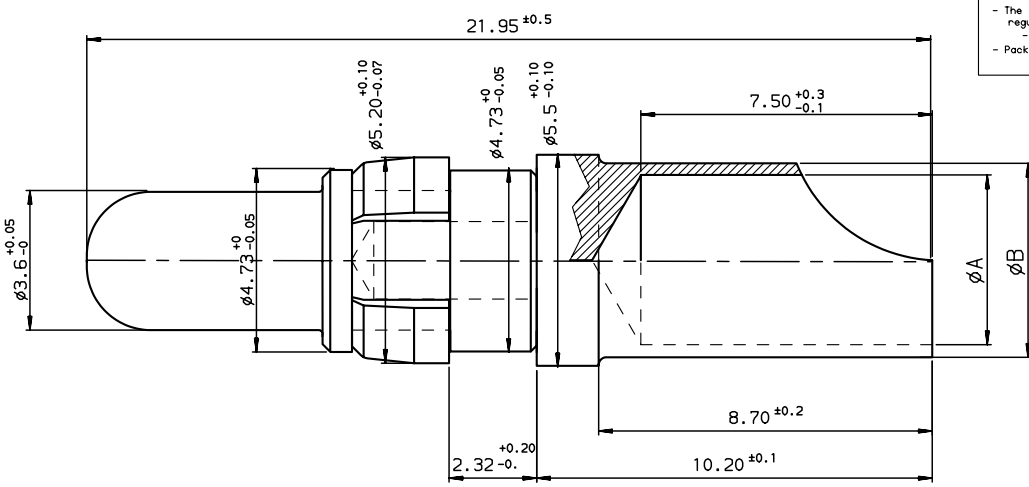


				Core range				
TIN LEAD PART NUMBER	LEAD FREE PART NUMBER	CURRENT max A	AWG	Section mm <sup>2</sup>	Ø Ame mm	ØA	ØB	COLOUR CLIP
8638PPS4005	8638PPS4005LF	40	8	Section 8.98 mm <sup>2</sup>	Ø Ame 3.90 mm	4.40	5.50	blue
8638PPS2005	8638PPS2005LF	20	12	Section 3.18 mm <sup>2</sup>	Ø Ame 2.40 mm	2.80	3.65	red
8638PPS1005	8638PPS1005LF	10	16	Section 1.34 mm <sup>2</sup>	Ø Ame 1.50 mm	1.70	2.60	black
		WIRE AREA		mm <sup>2</sup>	ØA <sup>+0.10</sup> <sub>-0</sub>	ØB <sup>+0.10</sup>		

**NOTE:RoHS INFORMATIONS**  
 - The "LF" products meet European union Directives and other country regulations as described in 65-22-00B.  
 - Termination plating spec: Cu 2 +0 +2 µm, Sn 3 +0 +3µm (pure matte)  
 - Packaging spec: see 65-14-920 contact:CuZn40 Pb3 1µNi+gold



**Materials and finish for TIN LEAD**  
 contact:CuZn40 Pb3 1µNi+gold  
 Solder buckets:CuZn36Pb3 2µNi+2µSnPb mini  
 Clip : plastic  
**Technical characteristics**  
 Peak voltage: 750Veff.  
 Operating voltage: 500Veff.  
 Temperature range:-55°C ÷125°C  
 Packaging per 100  
 Current capability see table

**Mechanical characteristics:**  
 Mechanical endurance : > 200 matings/unmatings .  
 Contact insertion force in insulator:  
 60N maxi in a hole of 4.80mm  
**Examination of product:**  
 Remove all burrs and sharp edges 0.08 maxi  
 No scratch on all pieces

European Views

www.fciconnect.com		surface ISO 1302	tolerance std ISO 406 ISO 1101	projection mm
TOLERANCES UNLESS OTHERWISE SPECIFIED				
Dr	JARRY	1994/12/12	ANGULAR	0.X ±0.1
Eng	PESSON	1994/12/12	LINEAR	0.XX ±0.1
Chr	LEGARE	1994/12/12	0.III' ±2'	0.XXX ±0.1
Appr	LEGARE	1994/12/12	Product family	D-SUB
FCI		TITLE MALE POWER CONTACT FOR SOLDER CONNECTION		size A3
catalog no		-		ECN LS08-0029
				Spec ref -
				Rev. 6
				CUSTOMER sheet 1 of 1

rev	ecn no	dr	date
D	-	BAR	2003/04/17
E	LS05-005	MPE	2005/04/05
F	LS06-0097	LGO	2006/07/27
G	LS08-0029	MPE	2008/01/28
-	-	-	-
-	-	-	-
-	-	-	-

Copyright FCI.

REV F - 2006-04-17