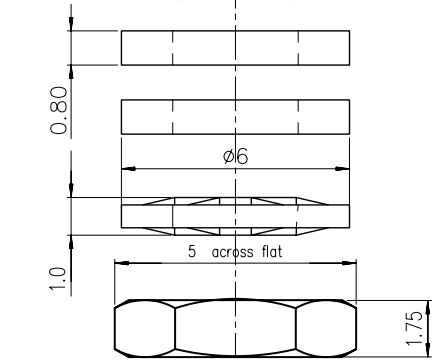
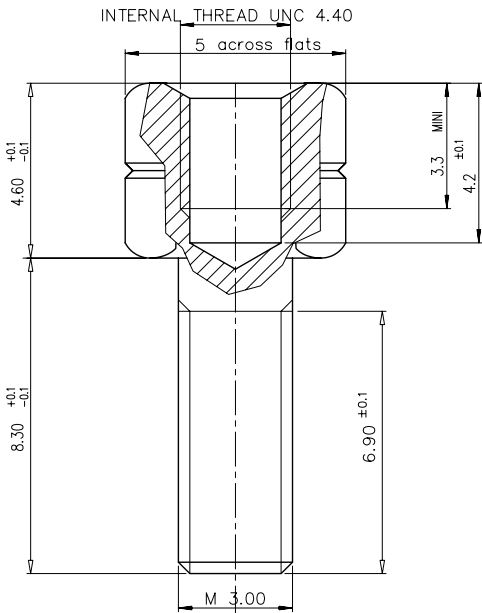




Copyright FCI



TECHNICAL CHARACTERISTICS :

- Female screw locks: brass, tin
- Compensating washer: steel, tin
- Nuts : steel, tin
- Packaging : per 100 pieces .
- Corrosion resistance : 50 hour .

NOTE:RoHS INFORMATIONS

- The "LF" products meet European union Directives and other country regulations as described in GS-22-008.
- Plating Sn (pure bright) over copper
- Packaging spec: see GS-14-920

LEAD FREE NUMBER: 863001TLF PACKAGING: per 100 pieces

European Views

| | | | | |
|--------------------|---------|--|-----------------------------------|--------------------------|
| www.fciconnect.com | | surface ISO 1302 | tolerance std ISO 406 ISO 1101 | projection mm |
| | | TOLERANCES UNLESS OTHERWISE SPECIFIED | | |
| Dr | JOUBERT | 1996/01/28 | ANGULAR | 0.X ±0.1 |
| Eng | JOUBERT | 1996/01/28 | LINEAR | 0.XX ±0.1 |
| Chr | LEGARE | 1996/01/28 | 0.xx ±2 | 0.xxx ±0.1 |
| Appr | LEGARE | 1996/01/28 | Product family | D-SUB ECN 110-0091 |
| | | | | Spec ref - |
| | | FEMALE SCREW LOCK D SUB ACCESSORIES | | title catalog no |
| | | dwg no C01-8655-0698 | | Rev. H |
| | | CUSTOMER | | sheet 1 of 1 |

REV F - 2006-04-17