

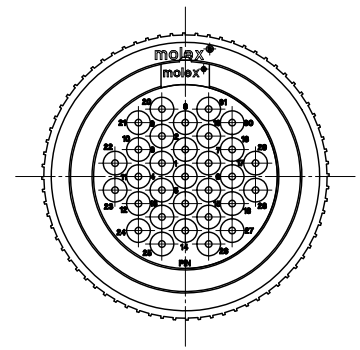
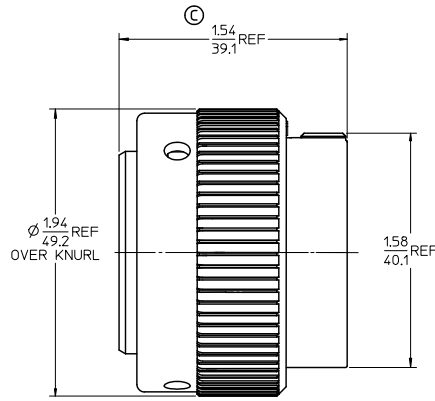
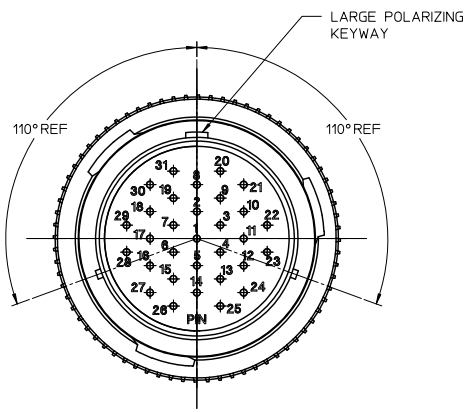
MATERIAL NUMBER	WIRE AWG	INSULATION DIA. O.D.	RING
845050001	18-14	.053-.134/1.35-3.40	STANDARD, BLACK

LARGE POLARIZING KEYWAY INDICATOR



ASSEMBLED ISOVIEW  
SCALE 1:1

STANDARD  
BLACK RING



WIRE ENTRY VIEW  
SCALE 2:1

NOTES:

1. USE CONNECTOR WITH MALE CRIMP TERMINAL SERIES 84524. Ⓢ
2. MATES WITH RECEPTACLE CONNECTOR SERIES 84506.
3. ASSEMBLY IS ROHS COMPLIANT.
4. PACKAGED PER PK-84501-001.

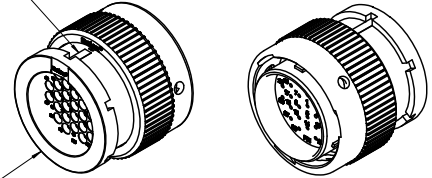
UPDATE DIM & TERM. SERIES EC NO. - KWA2011-0306 DRAWING/ENG 2010/12/13 CHKD: APPROV: JTTUS 2011/01/14 DESCRIPTION	QUALITY SYMBOLS	GENERAL TOLERANCES (UNLESS SPECIFIED)	DIMENSION STYLE	SCALE	DESIGN UNITS	THIRD ANGLE PROJECTION															
	$\nabla=0$ $\nabla=0$	<table border="1"> <tr> <th></th> <th>mm</th> <th>INCH</th> </tr> <tr> <td>4 PLACES</td> <td>± .15</td> <td>± .005</td> </tr> <tr> <td>3 PLACES</td> <td>± .10</td> <td>± .004</td> </tr> <tr> <td>2 PLACES</td> <td>± .05</td> <td>± .002</td> </tr> <tr> <td>1 PLACE</td> <td>± 0.38</td> <td>± .015</td> </tr> </table>		mm	INCH	4 PLACES	± .15	± .005	3 PLACES	± .10	± .004	2 PLACES	± .05	± .002	1 PLACE	± 0.38	± .015	IN/MM	2:1	INCH	
		mm	INCH																		
	4 PLACES	± .15	± .005																		
3 PLACES	± .10	± .004																			
2 PLACES	± .05	± .002																			
1 PLACE	± 0.38	± .015																			
DRAFT WHERE APPLICABLE MUST REMAIN WITHIN DIMENSIONS	DRAWN BY BRUPERT DATE 2006/3/21 CHECKED BY JPAWLICKI DATE 2006/6/6 APPROVED BY RDEROSS DATE 2006/6/7	TITLE	PLUG CONNECTOR ASSEMBLY, 24-31 POS PIN TERMINALS																		
REV	MATERIAL NO. 845050001	MOLEX INCORPORATED		DOCUMENT NO. SD-84505-001	SHEET NO. 1 OF 2																

13	12	11	10	9	8	7	6	5	4	3	2	1
MATERIAL NUMBER	WIRE AWG	INSULATION DIA. O.D.	RING									
845050003	18-14	.053-.134/1.35-3.40	EXTENDED LIP, BLACK									

LARGE POLARIZING  
KEYWAY INDICATOR

EXTENDED LIP  
BLACK RING

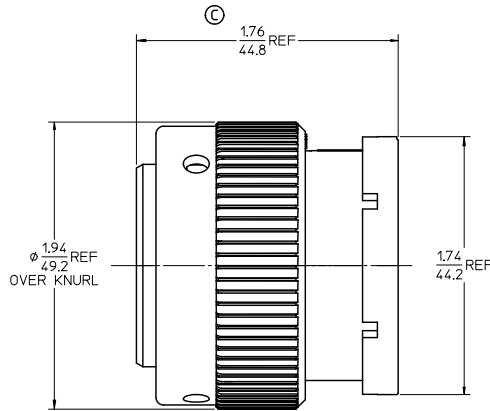
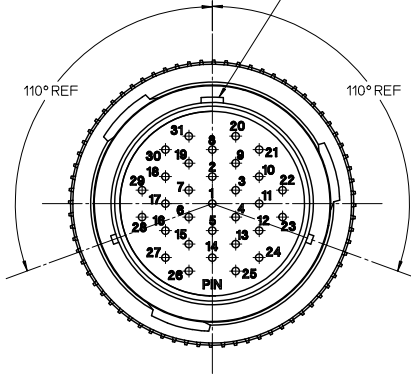
ASSEMBLED ISOVIEW  
SCALE 1:1



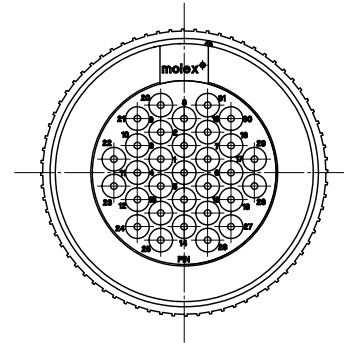
LARGE POLARIZING  
KEYWAY INDICATOR

110° REF

110° REF



WIRE ENTRY VIEW  
SCALE 2:1



NOTES:

1. USE CONNECTOR WITH MALE CRIMP TERMINAL SERIES 84524. ©
2. MATES WITH RECEPTACLE CONNECTOR SERIES 84506.
3. USE CONNECTOR WITH STRAIN RELIEF BACKSHELL, MOLEX MATERIAL NO. 84537-0003.
4. ASSEMBLY IS ROHS COMPLIANT.
5. PACKAGED PER PK-84501-001.

UPDATE DIM. & TERM. SERIES EC NO. WNA2011-0306 DRAWING NO. 2010/12/15 CHKD: APPR: DTTUS 2011/01/14 DESCRIPTION:	QUALITY SYMBOLS	GENERAL TOLERANCES (UNLESS SPECIFIED)		DIMENSION STYLE	SCALE	DESIGN UNITS	THIRD ANGLE PROJECTION
	▽=0	mm	INCH	IN/MM	1:1	INCH	
	▽=0	4 PLACES ±.005	±.005	DRAWN BY	DATE	TITLE	
		3 PLACES ±.010	±.010	BRUPERT	2006/3/21	PLUG CONNECTOR ASSEMBLY, 24-31 POS PIN TERMINALS	
	2 PLACES ±.015	±.015	CHECKED BY	DATE	MOLEX INCORPORATED		
	1 PLACE ±0.38	±.038	JPAWLICKI	2006/6/6			
	ANGULAR ± 2°	APPROVED BY		DATE			
		RDEROSS		2006/6/7			
		DRAFT WHERE APPLICABLE MUST REMAIN WITHIN DIMENSIONS		MATERIAL NO.	DOCUMENT NO.	SHEET NO.	
				845050003	SD-84505-001	2 OF 2	
				THIS DRAWING CONTAINS INFORMATION THAT IS PROPRIETARY TO MOLEX INCORPORATED AND SHOULD NOT BE USED WITHOUT WRITTEN PERMISSION			