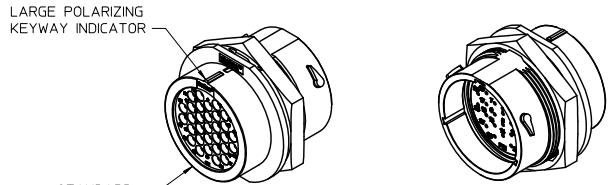
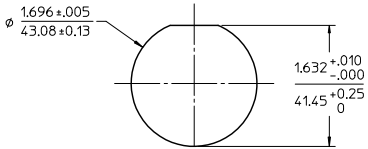


13	12	11	10	9	8	7	6	5	4	3	2	1
MATERIAL NUMBER	WIRE AWG	INSULATION DIA. O.D.	RING									
845110004	18-14	.053-.134/1.35-3.40	STD., BLACK									

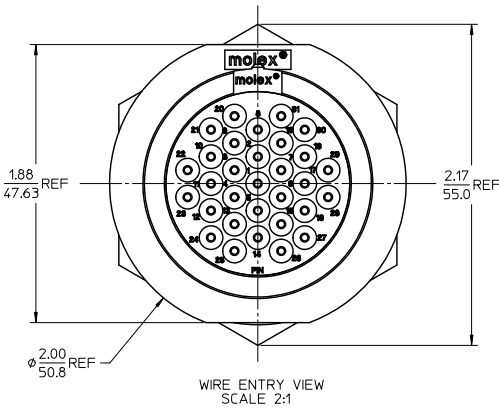
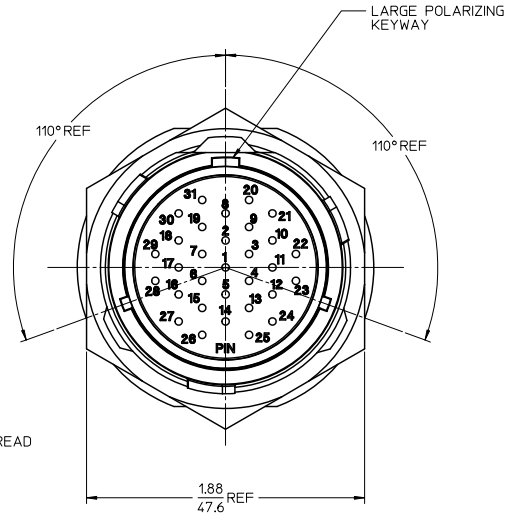
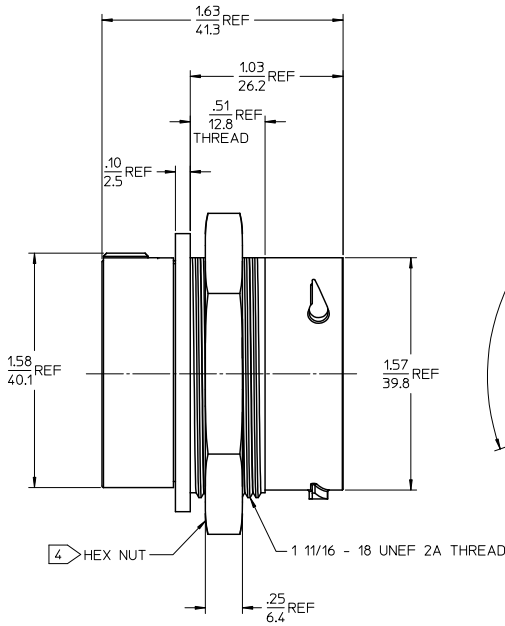


LARGE POLARIZING KEYWAY INDICATOR
STANDARD BLACK RING

ASSEMBLED VIEW
SCALE 1:1



RECOMMENDED MOUNTING HOLE



WIRE ENTRY VIEW
SCALE 2:1

NOTES:

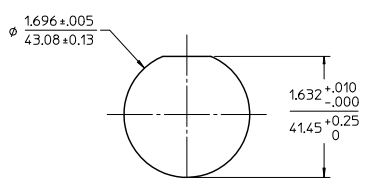
1. RECOMMENDED PANEL THICKNESS .062/1.58 TO .187/4.75.
2. USE CONNECTOR WITH MALE CRIMP TERMINAL SERIES 84524.
3. MATES WITH PLUG CONNECTOR SERIES 84510.
4. HEX NUT SOLD SEPARATELY, MOLEX MATERIAL NUMBER 84506-0012.
5. ASSEMBLY IS ROHS COMPLIANT.
6. PACKAGED PER PK-84501-001.

REVISE TERM. NOTE EC NO: WNA2011-0406 DRAWING/ENG: 2011/02/01 CHKD: APPR: DTTJUS 2011/02/04	QUALITY SYMBOLS ▽=0 ▽=0	GENERAL TOLERANCES (UNLESS SPECIFIED)		DIMENSION STYLE IN/MM	SCALE 2:1	DESIGN UNITS INCH	THIRD ANGLE PROJECTION	
		4 PLACES ± --- ± ---	mm	INCH	DRAWN BY JPAWLICK1	DATE 2006/6/5	TITLE RECPT. CONNECTOR ASSEMBLY, 24-31 POS PIN TERMINALS	
		3 PLACES ± --- ± ---	± .015	± .015	CHECKED BY JPAWLICK1	DATE 2006/6/6	MATERIAL NO. 845110004	
		2 PLACES ± --- ± ---	± 0.38	± ---	APPROVED BY RDEROSS	DATE 2006/6/7	DOCUMENT NO. SD-84511-002	SHEET NO. 1 OF 2

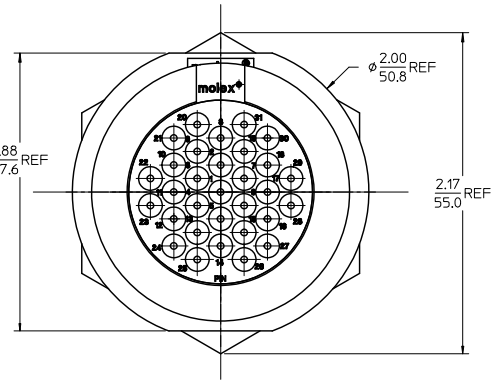
DRAFT WHERE APPLICABLE
MUST REMAIN WITHIN DIMENSIONS

THIS DRAWING CONTAINS INFORMATION THAT IS PROPRIETARY TO MOLEX INCORPORATED AND SHOULD NOT BE USED WITHOUT WRITTEN PERMISSION

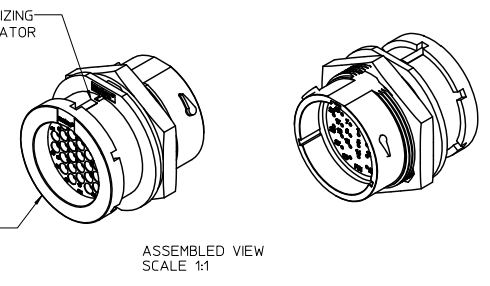
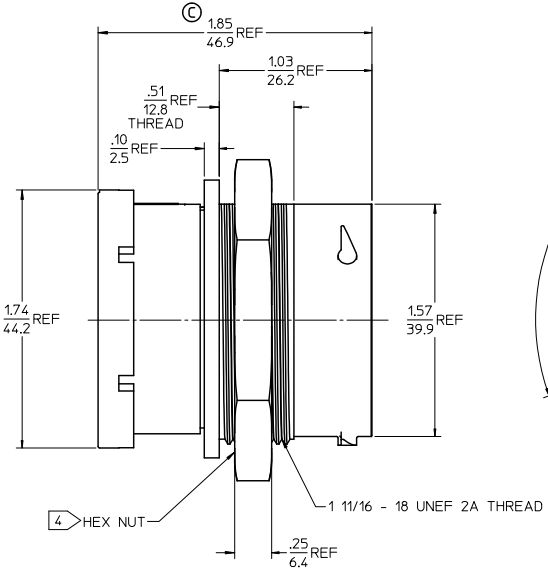
13	12	11	10	9	8	7	6	5	4	3	2	1
MATERIAL NUMBER	WIRE AWG	INSULATION DIA. O.D.	RING									
845110005	18-14	.053-.134/1.35-3.40	EXT. LIP, BLACK									



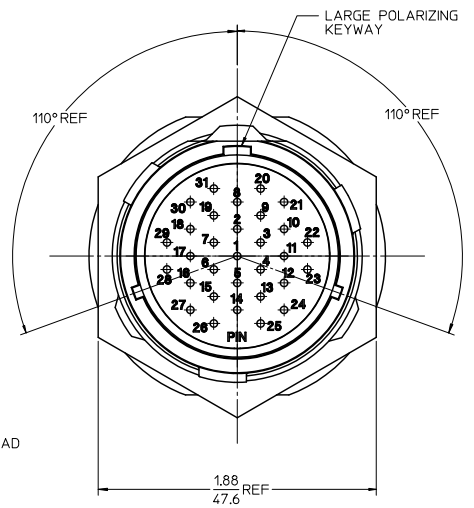
RECOMMENDED MOUNTING HOLE



WIRE ENTRY VIEW SCALE 2:1



ASSEMBLED VIEW SCALE 1:1



LARGE POLARIZING KEYWAY

NOTES:

1. RECOMMENDED PANEL THICKNESS .062/1.58 TO .187/4.76.
2. USE CONNECTOR WITH MALE CRIMP TERMINAL SERIES 84524.
3. MATES WITH PLUG CONNECTOR SERIES 84510.
4. HEX NUT SOLD SEPARATELY, MOLEX MATERIAL NUMBER 84506-0012.
5. USE CONNECTOR WITH STRAIN RELIEF BACKSHELL, MOLEX MATERIAL NO. 84537-0003.
6. ASSEMBLY IS ROHS COMPLIANT.
7. PACKAGED PER PK-84501-001.

UPDATE OVERALL LENGTH & REVISE TERM. NOTE REC. NO. WNAZ01-0406 DRAWING NO. 2011/02/01 CHKD: APPROV: DTJUS 2011/02/04	QUALITY SYMBOLS	GENERAL TOLERANCES (UNLESS SPECIFIED)	DIMENSION STYLE	SCALE	DESIGN UNITS	THIRD ANGLE PROJECTION
	▽=0	4 PLACES ± .005 ± .005	IN/MM	1:1	INCH	
	▽=0	3 PLACES ± .005 ± .005				
		2 PLACES ± .015 ± .015				
		1 PLACE ± 0.38 ± .015				
		ANGULAR ± 2°				
		DRAFT WHERE APPLICABLE MUST REMAIN WITHIN DIMENSIONS				
			MATERIAL NO.	845110005	DOCUMENT NO.	SD-84511-002
			SIZE			SHEET NO. 2 OF 2
			THIS DRAWING CONTAINS INFORMATION THAT IS PROPRIETARY TO MOLEX INCORPORATED AND SHOULD NOT BE USED WITHOUT WRITTEN PERMISSION			