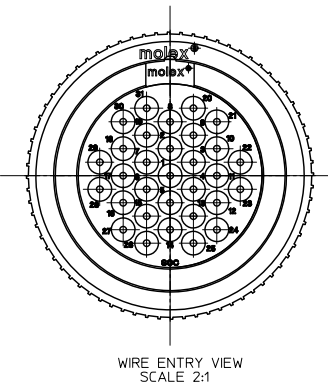
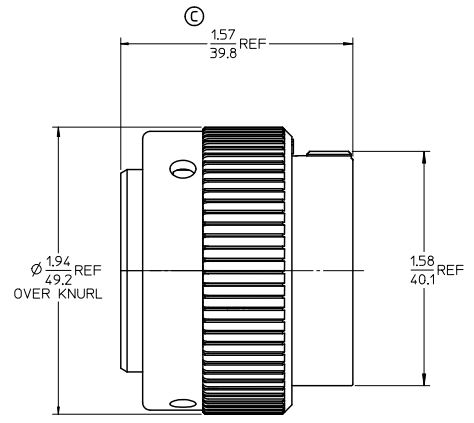
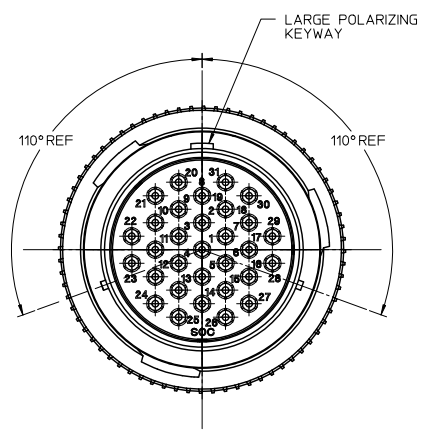
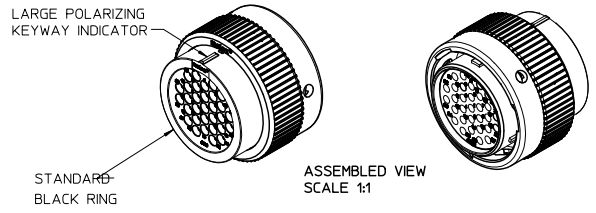


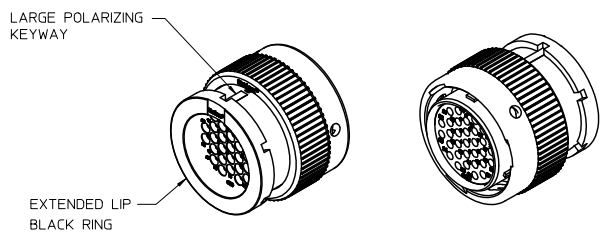
13	12	11	10	9	8	7	6	5	4	3	2	1
MATERIAL NUMBER	WIRE AWG	INSULATION DIA. O.D.	RING									
845100004	18-14	.053-.134/1.35-3.40	STANDARD BLACK									



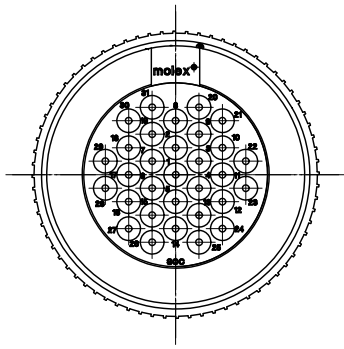
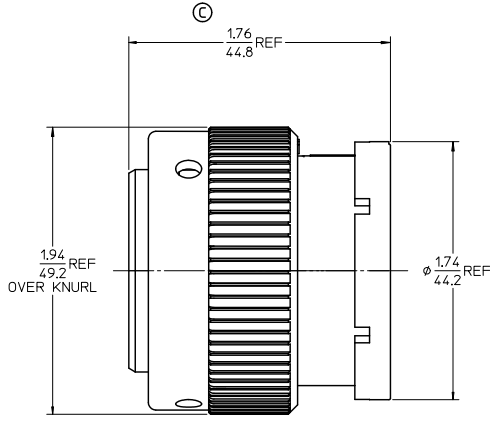
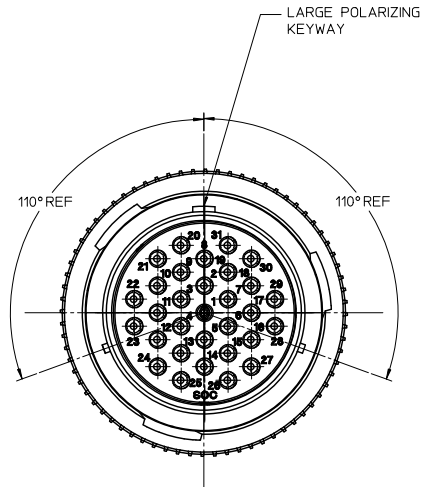
- NOTES:
1. USE CONNECTOR WITH FEMALE CRIMP TERMINAL SERIES 84525. ©
  2. MATES WITH RECEPTACLE CONNECTOR SERIES 84511.
  3. ASSEMBLY IS ROHS COMPLIANT.
  4. PACKAGED PER PK-84501-001.

UPDATE DIM. & TERM. SERIES EC NO. WNA2011-0306 DRAWING NO. 2010/12/13 CHAD: APPROB: ITTUS 2011/01/14	QUALITY SYMBOLS ▽=0 ▽=0	GENERAL TOLERANCES (UNLESS SPECIFIED)		DIMENSION STYLE		SCALE	DESIGN UNITS	THIRD ANGLE PROJECTION	
		mm	INCH	IN/MM		2:1	INCH	☉	
		4 PLACES ±	±	DRAWN BY	DATE	TITLE			
		3 PLACES ±	±	BRUPERT	2006/2/18	PLUG CONNECTOR ASSEMBLY, 24-31 POS SOCKET TERMINALS			
2 PLACES ±	±.015	JPAWLICKI	2006/6/6	MOLEX INCORPORATED					
1 PLACE ±	±0.38	APPROVED BY	DATE	MATERIAL NO. 845100004					
ANGULAR ± 2°		RDEROSS	2006/6/7	DOCUMENT NO. SD-84510-002		SHEET NO. 1 OF 2			
DRAFT WHERE APPLICABLE MUST REMAIN WITHIN DIMENSIONS		THIS DRAWING CONTAINS INFORMATION THAT IS PROPRIETARY TO MOLEX INCORPORATED AND SHOULD NOT BE USED WITHOUT WRITTEN PERMISSION							

13	12	11	10	9	8	7	6	5	4	3	2	1
MATERIAL NUMBER	WIRE AWG	INSULATION DIA O.D.	RING									
845100005	18-14	.053-.134/1.35-3.40	EXTENDED LIP, BLACK									



ASSEMBLED VIEW  
SCALE 1:1



WIRE ENTRY VIEW  
SCALE 2:1

NOTES:

1. USE CONNECTOR WITH MALE CRIMP TERMINAL SERIES 84525. ©
2. MATES WITH RECEPTACLE CONNECTOR SERIES 84506.
3. USE CONNECTOR WITH STRAIN RELIEF BACKSHELL.  
MOLEX MATERIAL NO. 84537-0003.
4. ASSEMBLY IS ROHS COMPLIANT.
5. PACKAGED PER PK-84501-001.

UPDATE DIM & TERM. SERIES EC NO: WNA2011-0306 DRAWING NO: 2010/12/15 CHKD: APPROV: ITUS 2011/01/14	QUALITY SYMBOLS	GENERAL TOLERANCES (UNLESS SPECIFIED)	DIMENSION STYLE	SCALE	DESIGN UNITS	THIRD ANGLE PROJECTION	
	$\nabla=0$ $\nabla=0$	4 PLACES ±.005 ±.005 3 PLACES ±.005 ±.005 2 PLACES ±.015 ±.015 1 PLACE ±0.38 ±.005 ANGULAR ± 2°	IN/MM	1:1	INCH		
	DESCRIPTION	DRAFT WHERE APPLICABLE MUST REMAIN WITHIN DIMENSIONS	DRAWN BY	DATE	TITLE		
	REV		BRUPERT	2006/2/8	PLUG CONNECTOR ASSEMBLY, 24-31 POS SOCKET TERMINALS		
			CHECKED BY	DATE	MOLEX INCORPORATED		
			JPAWLICKI	2006/6/6			
			APPROVED BY	DATE			
			RDEROSS	2006/6/7			
			MATERIAL NO.	DOCUMENT NO.	SHEET NO.		
			845100005	SD-84510-002	2 OF 2		
			THIS DRAWING CONTAINS INFORMATION THAT IS PROPRIETARY TO MOLEX INCORPORATED AND SHOULD NOT BE USED WITHOUT WRITTEN PERMISSION				