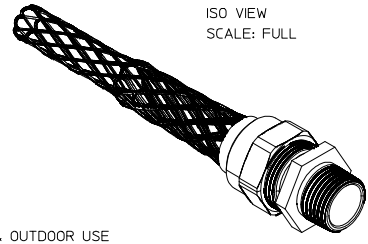
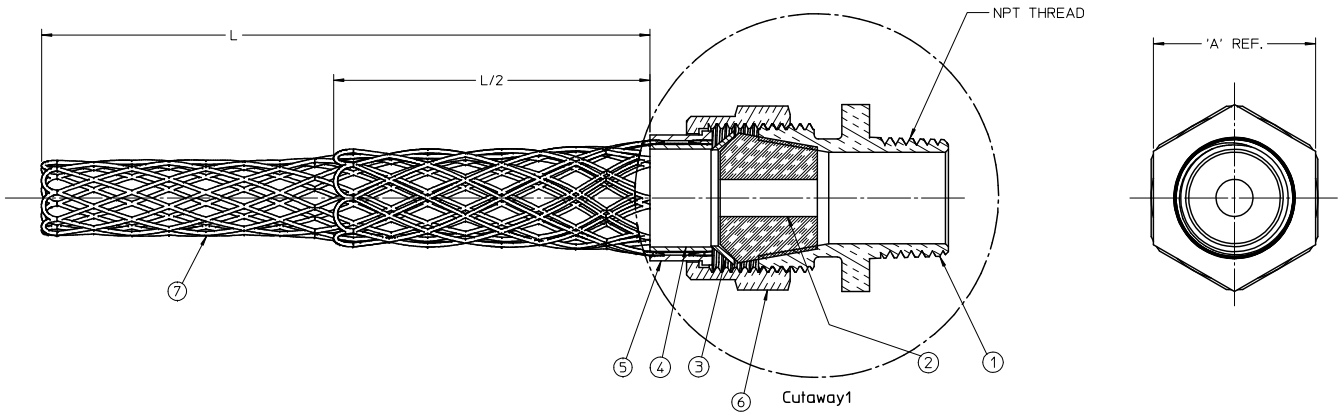


13 12 11 10 9 8 7 6 5 4 3 2 1

PART NO.	ENGINEERING NO.	CABLE RANGE	THREAD SIZE	'A' HEX	'L' LENGTH	L/2 LENGTH
1300970250	36490	.19-.25 / 4.8-6.4	3/8 NPT	.88 / 22.4	4.25 / 108.0	2.13 / 54.0
1300970225	36430	.25-.31 / 6.4-7.9				2.13 / 54.0
1300970226	36431	.31-.38 / 7.9-9.7				2.13 / 54.0
1300970227	36432	.38-.44 / 9.7-11.2			5.50 / 140.0	2.75 / 69.9
1300970160	36250	.19-.25 / 4.8-6.4	1/2 NPT	1.09 / 27.7	4.00 / 102.0	2.00 / 51.0
1300970161	36251	.25-.38 / 6.4-9.7			4.50 / 114.0	2.25 / 57.0
1300970163	36254	.38-.50 / 9.7-12.7			6.25 / 159.0	3.13 / 79.5
1300970165	36256	.50-.63 / 12.7-16.0			7.00 / 178.0	3.50 / 89.0
1300970156	36245	.63-.75 / 16.0-19.0				
1300970157	36246	.75-.88 / 19.0-22.4				
1300970166	36257	.25-.38 / 6.4-9.7	3/4 NPT	1.15 / 29.2	5.63 / 143.0	2.82 / 71.5
1300970167	36259	.38-.50 / 9.7-12.7			6.25 / 159.0	3.13 / 79.5
1300970168	36261	.50-.63 / 12.7-16.0			7.00 / 178.0	3.50 / 89.0
1300970170	36263	.63-.75 / 16.0-19.0			9.50 / 241.3	4.75 / 120.7
1300970158	36248	.75-.88 / 19.0-22.4			9.25 / 235.0	4.63 / 117.5



- NOTES:
1. MATERIAL: SEE TABLE
  2. FINISHES: SEE TABLE
  3. SUITABLE FOR INDOOR & OUTDOOR USE
  4. SUITABLE FOR HAZARDOUS LOCATIONS  
CLASS 1 DIV.2, CLASS2 DIV. 1 & 2  
CLASS 3 DIV. 1 & 2
  5. STAIN RELIEF FORCE: 35 LBS.
  6. ASSEMBLY IS RoHS COMPLIANT



ITEM	QTY.	DESCRIPTION	MATERIAL	FINISH
7	1	WIRE MESH	ST. STEEL	
6	1	COMPRESSION NUT	ALUMINUM	
5	1	OUTER RING	ALUMINUM	
4	1	INNER RING	ALUMINUM	
3	1	FRICTION RING	STEEL	ZINC PLATED
2	2	GROMMET	RUBBER	BLACK
1	1	CORD GRIP BODY	ALUMINUM	

RELEASED EC NO. WNA2009-0602 2009/03/24 DRAWN BY: CHFCB: WOODMAN APPR: J. MURPHY 2009/04/01	QUALITY SYMBOLS	GENERAL TOLERANCES (UNLESS SPECIFIED)	DIMENSION STYLE	SCALE	DESIGN UNITS	THIRD ANGLE PROJECTION
	▽=0 ▽=0	4 PLACES ±.005 ±.005 3 PLACES ±.005 ±.005 2 PLACES ±.005 ±.01 1 PLACE ±0.3 ±.005 ANGULAR ±1/2°	IN/MM	2:1	INCH	
			DRAWN BY: R. STONE	DATE: 2009/03/20	TITLE: DELUXE CORD GRIP STRAIGHT, MALE THREAD	
			CHECKED BY: B. WOODMAN	DATE: 2008/03/24	APPROVED BY: J. MURPHY	
			DATE: 2009/03/26	MATERIAL NO. SD-130097-004		DOCUMENT NO. SD-130097-004
		DRAFT WHERE APPLICABLE MUST REMAIN WITHIN DIMENSIONS	SEE CHART	THIS DRAWING CONTAINS INFORMATION THAT IS PROPRIETARY TO MOLEX INCORPORATED AND SHOULD NOT BE USED WITHOUT WRITTEN PERMISSION		SHEET NO. 1 OF 1

12 11 10 9 8 7 6 5 4 3 2 1