

## SAC-3P-M12Y/2XM12FS-3L


Order No.: 1501304



<http://eshop.phoenixcontact.de/phoenix/treeViewClick.do?UID=1501304>

Y distributor, 3-position, Plug, straight M12, A-coded, on Socket, straight M12, A-coded and Socket, straight M12, A-coded

### Commercial data

GTIN (EAN)	
sales group	D116
Pack	5 pcs.
Customs tariff	85366990
Catalog page information	Page 160 (PC-2011)

### Product notes

WEEE/RoHS-compliant since:  
01/01/2008



<http://www.download.phoenixcontact.com>  
Please note that the data given here has been taken from the online catalog. For comprehensive information and data, please refer to the user documentation. The General Terms and Conditions of Use apply to Internet downloads.

### Technical data

#### General data

Rated current at 40°C	4 A
Rated voltage	24 V
Number of positions	3
Volume resistance	≤ 5 mΩ
Insulation resistance	≥ 10 GΩ

Ambient temperature (operation)	-25 °C ... 90 °C
---------------------------------	------------------

**General characteristics**

Standards/regulations	M12 connector IEC 61076-2-101
Coding	A - standard
Center distance	18 mm
Surge voltage category	II
Pollution degree	3
Degree of protection	IP65/IP68/IP69K
Insertion/withdrawal cycles	≥ 100
Torque	0.4 Nm
Contact material	CuZn
Contact surface material	Ni/Au
Contact carrier material	TPU GF
Material of grip body	TPU, hardly inflammable, self-extinguishing
Material, knurls	Zinc die-cast, nickel-plated
Sealing material	NBR
Status display	3 LEDs

**Certificates / Approvals**



Certification

CUL Listed, UL Listed

**Accessories**

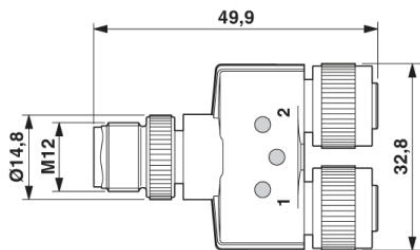
Item	Designation	Description
<b>Protection and sealing elements</b>		
1680539	PROT-M12	An M12 screw plug for the unoccupied M12 sockets of the sensor/ actuator cable, boxes and flush-type connectors
1560251	PROT-M12 FS	M12 sealing cap for unoccupied M12 connectors of the sensor/ actuator cable, flush-type connectors and I/O devices in the field

**Tools**

1208432	SAC BIT M12-D15	Nut for assembling sensor/actuator cables with M12 connector and for M12 connectors with QUICKON fast connection technology, for 4 mm hexagonal drive
1208429	TSD 04 SAC	Torque screwdriver, with preset torque of 0.4 Nm and 4 mm hexagonal drive for M12 connectors

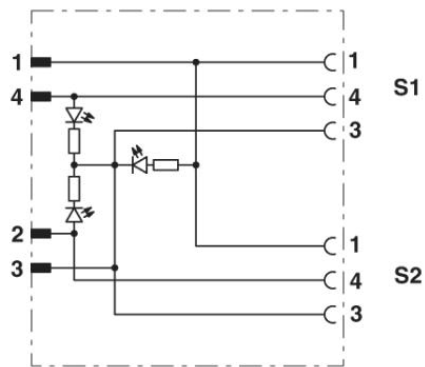
**Diagrams/Drawings**

Dimensioned drawing



M12 Y distributor

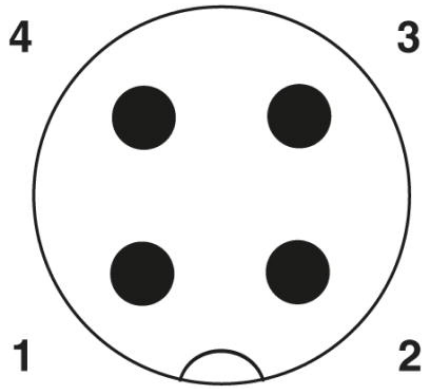
Circuit diagram



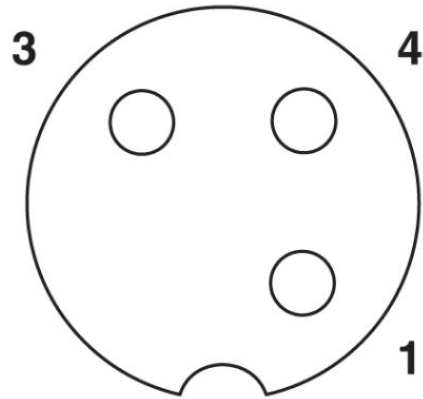
Contact assignment of the M12 Y-distributor

Schematic diagram

---

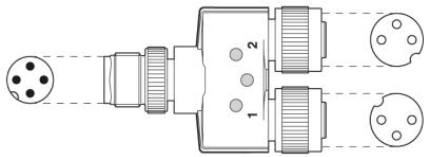


Pin assignment M12 plug, 4-pos., A-coded, view plug side



Pin assignment M12 socket, 3-pos., A-coded, view female side

Layout of connector pin assignments



**Address**

PHOENIX CONTACT Inc., USA  
586 Fulling Mill Road  
Middletown, PA 17057, USA  
Phone (800) 888-7388  
Fax (717) 944-1625  
<http://www.phoenixcon.com>



© 2011 Phoenix Contact  
Technical modifications reserved;