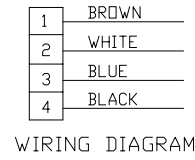
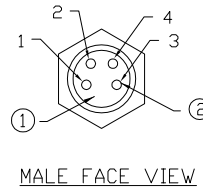
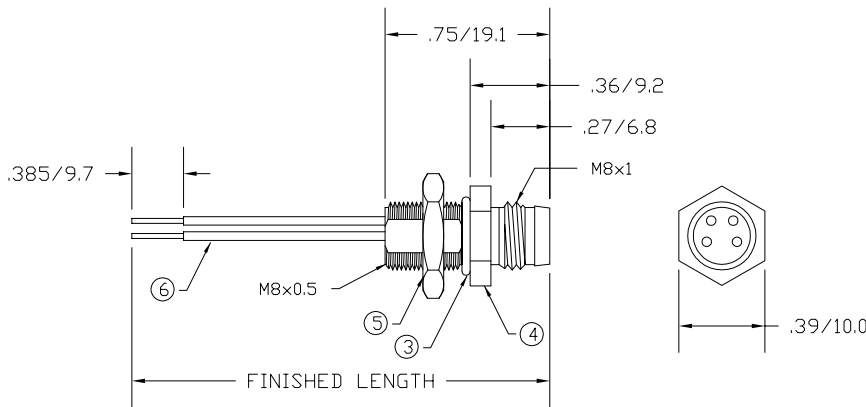
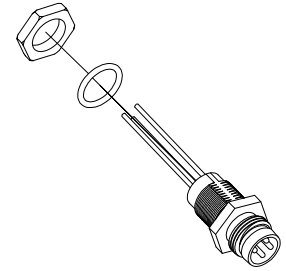


MATERIAL NUMBER	OLD PART NUMBER	FINISHED LENGTH
120090-0032	4R4P06A27C300	11.81" +.75" -0 [1.3M +19.1 -0]
120090-0033	4R4P06A27M010	3.28' +2.19" -0 [1.0M +55.6 -0]



VOLTAGE RATING	60 VAC/ 75 VDC
AMPERAGE RATING	4 AMPS
PROTECTION	IP67
OPERATING TEMPERATURE	-20°C TO 105°C
UL CERTIFICATIONS	UL LISTED, FILE NO. E152210
CSA CERTIFICATIONS	CSA CERTIFIED, FILE NO. LR6837

ITEM	COMPONENT	MATERIAL	FINISH
1	INSERT	POLYURETHANE	BLACK
2	CONTACT PIN	COPPER ALLOY	GOLD OVER NICKEL
3	O-RING	NITRILE	BLACK
4	RECEPTACLE SHELL	BRASS	NICKEL PLATED
5	LOCKNUT	BRASS	NICKEL PLATED
6	CONDUCTOR- 24 AWG, (.22mm) COPPER (STRANDING) 3 CONDUCTOR	PVC	SEE WIRING DIAGRAM

RLSO DRAWING
 EC NO: WNA2010-0131
 DRWN: BWOODMAN 825/09
 CHKD: JMI
 APPR: JFMURPHY 2009/08/27
 DESCRIPTION
 REV A

QUALITY SYMBOLS	GENERAL TOLERANCES (UNLESS SPECIFIED)
▽=0	mm INCH
▽/C=0	4 PLACES ±--- ±---
	3 PLACES ±--- ±---
	2 PLACES ±--- ±.01
	1 PLACE ±0.3 ±---
	ANGULAR ±---°
	DRAFT WHERE APPLICABLE MUST REMAIN WITHIN DIMENSIONS

DIMENSION STYLE	SCALE	DESIGN UNITS	THIRD ANGLE PROJECTION
IN/MM	---	---	☉
DRAWN BY DATE	TITLE		
BW 2009/08/25	M8 RECEPTACLE 4 POLE MALE M8X0.5 MOUNTING THREADS		
CHECKED BY DATE	MATERIAL NO. DOCUMENT NO.		
TW 2009/08/25	JFMURPHY 2009/08/26 SD-120090-007		
APPROVED BY DATE	SHEET NO.		
	1 OF 1		
SIZE A	THIS DRAWING CONTAINS INFORMATION THAT IS PROPRIETARY TO MOLEX INCORPORATED AND SHOULD NOT BE USED WITHOUT WRITTEN PERMISSION		

6 5 4 3 2 1

E D C B A

6 5 4 3 2 1