

4

3

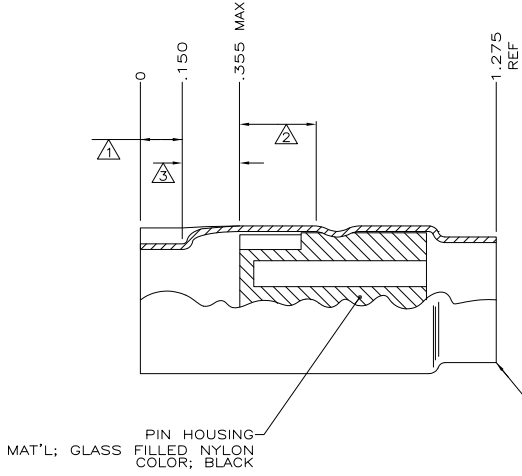
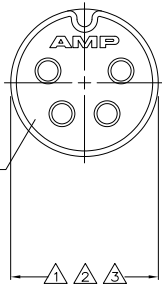
2

1

THIS DRAWING IS UNPUBLISHED. RELEASED FOR PUBLICATION  
 © COPYRIGHT - By - ALL RIGHTS RESERVED.

LOC	DIST	REVISIONS			
P	LTR	DESCRIPTION	DATE	BY	APPD
GP	00				
	J1	REVISED PER ECO-11-005033	23MAR11	RK	HMR

4 POSN MATING FACE SHOWN, REF ONLY



- △ SHELL DIAMETER IN THIS AREA TO BE .529±.005 MEASURED ANYWHERE EXCEPT OVER KEY.
- △ SHELL DIAMETER IN THIS AREA TO BE .531±.003.
- △ SHELL DIAMETER IN KEY TRANSITION AREA MAY NOT EXCEED .535 AT ANY MEASUREMENT POINT.
- △ TIN-LEAD.
- △ TIN.

△	△	CIRCULAR DIN SUB-ASSEMBLY, 8 POSITION	9-212437-2
△	△	CIRCULAR DIN SUB-ASSEMBLY, 6 POSITION	9-212437-1
△	△	CIRCULAR DIN SUB-ASSEMBLY, 5 POSITION	9-212437-0
△	△	CIRCULAR DIN SUB-ASSEMBLY, 4 POSITION	212437-7
OBSOLETE	△	CIRCULAR DIN SUB-ASSEMBLY, 8 POSITION	212437-6
OBSOLETE	△	CIRCULAR DIN SUB-ASSEMBLY, 7 POSITION	212437-5
OBSOLETE	△	CIRCULAR DIN SUB-ASSEMBLY, 6 POSITION	212437-4
OBSOLETE	△	CIRCULAR DIN SUB-ASSEMBLY, 5 POSITION	212437-3
OBSOLETE	△	CIRCULAR DIN SUB-ASSEMBLY, 4 POSITION	212437-2
OBSOLETE	△	CIRCULAR DIN SUB-ASSEMBLY, 3 POSITION	212437-1

SHIELD FINISH	DESCRIPTION	PART NUMBER

THIS DRAWING IS A CONTROLLED DOCUMENT.		BY: L. Vercillo - 11-10-05	TE Connectivity	
DRAWN BY: M. WALSLEY - 11-10-05		CHK: R. HONDE	TE Connectivity	
DIMENSIONS: INCHES		APP: M. WALSLEY - 11-10-05	NAME: M. WALSLEY	
OTHER DIMENSIONS: SEE TABLE		PRODUCT SPEC: --	APPLICATION SPEC: --	
MATERIAL: SEE TABLE		FINISH: SEE TABLE	SIZE: A2	CAGE CODE: 00779
		DRAWING NO: C=212437		RESTRICTED TO: --
		CUSTOMER DRAWING		SCALE: 1:1 SHEET: 1 of 1 REV: J1