



Connectivity Solutions

Complete or Partial Part #,
Competitor Part # or
Keywords.

Wireless

CATV

Audio & Video

Networking &
Structured Wiring

Military & Aerospace

Test & Measurement

Home

Member Access

Products

Connectors

Microwave Components

CATV Components

Coaxial Cable Assemblies

Structured Cabling & Connectors

Tools & Accessories

Customer Service

Request For Quote

Representatives

Distributors

Literature/Catalog Request

What's New

About Our Brands

Legal Terms

© 2007 All Rights Reserved

Product Detail



Product Line:	Johnson (Click for customer service)
Part Number:	108-2302-801
Description:	Banana Jack - Insulated Rib-Loc Solder Terminal
Product Family:	BANANA JACK
Body Material:	Brass per QQ-B-626D
Breakdown Voltage:	7000 Vrms min.
Color / Finish:	Red
Contact Material:	Brass
Contact Finish:	Tin
Contact Termination:	Solder
Current:	15 amps
Desc 2:	Rib-Loc Solder Terminal
Description:	Insulated
For Use With:	.175 (4.44) Banana Plug
Panel Thickness:	Up to .250 (6.35)
RoHS Compliant:	Yes

20070523-1523

Banana Jack - Insulated Rib-Loc® Solder Terminal

SPECIFICATIONS

Contact: Formed brass per QQ-B-626D

Finish: Bright tin

Body: Nylon 6/6 per ASTM D4066

Panel Thickness: Up to .250 (6.35)

RATINGS

Current: 15 amps

Breakdown Voltage: 7000 Vrms minimum +

Contact Resistance: 0.010 ohms maximum

Contact-To-Panel C: 2.4 pF nominal



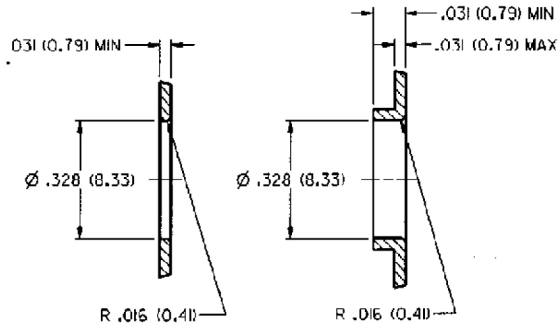
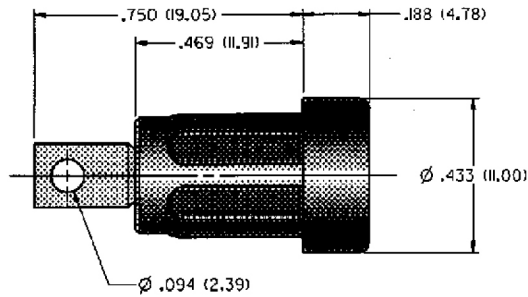
BRIGHT TIN PLATING
108-2302-801 Red

For Standard Banana Plug:

.175 (4.44) Across Flats

FEATURES:

- Requires no mounting hardware
- Accepts up to 16 gauge wire
- Nylon UL approved for self extinguishing



MOUNTING HOLE OPTIONS