

Product Detail



Product Line:	Johnson (Click for customer service)
Part Number:	105-1042-001
Description:	Tip Jack - Insulated Standard: Rib-Loc Type
Product Family:	TIP JACK
Body Material:	Nylon 6/6 per ASTM D4066
Breakdown Voltage:	3500 Vrms min.
Color / Finish:	Red
Contact Material:	Beryllium copper over brass
Contact Finish:	Silver
Contact Termination:	Solder
Current:	5 amps
Desc 2:	Rib-Loc
Description:	Insulated Standard
For Use With:	.080 (2.00) Tip Plug
Panel Thickness:	Up to .375 (9.05)
RoHS Compliant:	Yes

20070523-1523

Tip Jacks

Insulated Standard: Rib-Loc® Type

SPECIFICATIONS

Contact: Brass body per QQ-B-626D with wrap around beryllium copper spring per QQ-C-553

Finish: Silver

Body: Nylon 6/6 per ASTM D4066

Panel Thickness: Up to .375 (9.05)

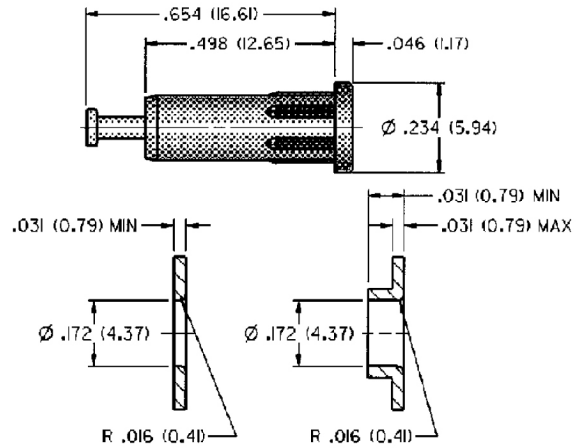
RATINGS

Current: 5 amps

Breakdown Voltage: 3500 Vrms minimum +

Contact Resistance: 0.005 ohms maximum

Adjacent Jack C: 1 pF nominal



MOUNTING HOLE OPTIONS

SILVER PLATING	
105-1042-001	Red

For Standard Tip Plug: .080 (2.00) Diameter

FEATURES:

- Machined contact with turret terminal
- Installs by pressing into mounting hole, no mounting hardware required
- Closed entry blocks access or probes greater than .085 (2.16)
- Nylon UL approved for self extinguishing