

## Product Detail



<b>Product Line:</b>	<a href="#">Johnson</a> (Click for customer service)
<b>Part Number:</b>	105-0810-001
<b>Description:</b>	Tip Jack - Insulated Standard
<b>Product Family:</b>	TIP JACK
<b>Body Material:</b>	Nylon 6/6 per ASTM D4066
<b>Breakdown Voltage:</b>	5700 Vrms min.
<b>Color / Finish:</b>	Blue
<b>Contact Material:</b>	Phosphor bronze
<b>Contact Finish:</b>	Tin
<b>Contact Termination:</b>	Solder
<b>Current:</b>	10 amps
<b>Description:</b>	Insulated Standard
<b>For Use With:</b>	.080 (2.00) Tip Plug
<b>Panel Thickness:</b>	Up to .437 (11.10)
<b>RoHS Compliant:</b>	Yes

20070523-1523

# Tip Jack Insulated Standard

**SPECIFICATIONS:**

**Contact:** Phosphor bronze per QQ-B-750

**Finish:** Bright tin

**Body:** Nylon 6/6 per ASTM D4066

**Hardware:** Nickel plated nut (unassembled)

**Body Thread Stripping Torque:** 4.0 lb. in.  
(4.5 kg. cm.)

**Panel Thickness:** Up to .437 (11.10)

**RATINGS**

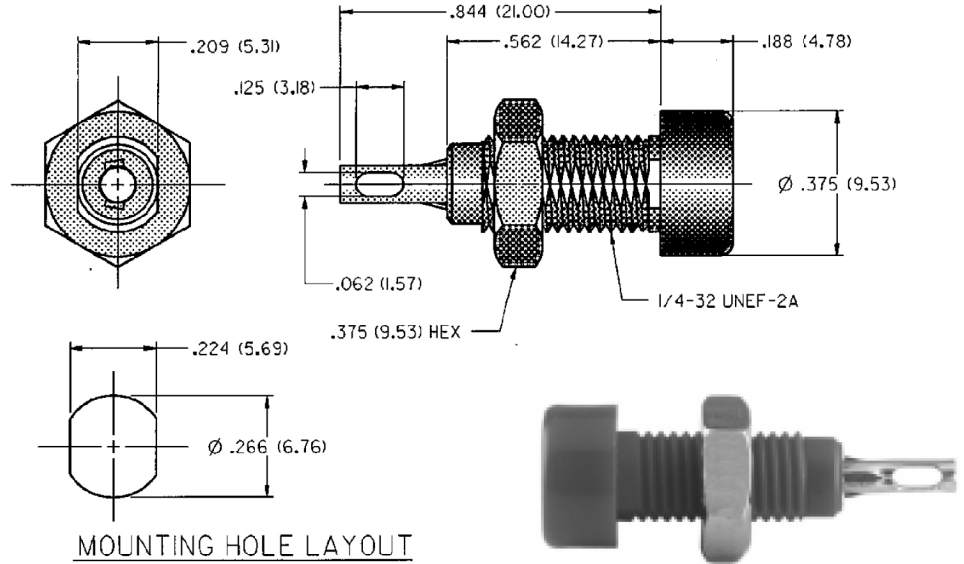
**Current:** 10 amps

**Breakdown Voltage:** 5700 Vrms minimum +

**Contact Resistance:** 0.010 ohms maximum

**Contact-To-Panel C:** 2 pF nominal

<b>BRIGHT TIN PLATING</b>
105-0801-001 White



**For Standard Tip Plug: .080 (2.00) Diameter**

**FEATURES:**

- Formed contact with slotted terminal
- Hex socket head .188 (4.77) for ease in mounting
- Nylon UL approved for self extinguishing