



Connectivity Solutions

Complete or Partial Part #,
Competitor Part # or
Keywords.

Wireless

CATV

Audio & Video

Networking &
Structured Wiring

Military & Aerospace

Test & Measurement

Home

Member Access

Products

Connectors

Microwave Components

CATV Components

Coaxial Cable Assemblies

Structured Cabling & Connectors

Tools & Accessories

Customer Service

Request For Quote

Representatives

Distributors

Literature/Catalog Request

What's New

About Our Brands

Legal Terms

© 2007 All Rights Reserved

Product Detail



Product Line:	Johnson (Click for customer service)
Part Number:	108-0753-001
Description:	Banana Plug - Uninsulated Panel Mount Screw Type,Nickel Silver Spring
Product Family:	BANANA PLUG
Body Material:	Brass per QQ-B-626D
Contact Material:	Nickel Silver Spring
Contact Finish:	Nickel
Contact Termination:	Solder
Current:	15 amps
Description:	Uninsulated Screw Type
For Use With:	.166 (4.23) Banana Jack
RoHS Compliant:	Yes

20070523-1523

Banana Plug - Uninsulated Panel Mount Screw Type, Nickel Silver Spring

SPECIFICATIONS

Plug Body: Brass per QQ-B-626D

Plug Spring: Nickel silver per QQ-C-585

Finish: Silver

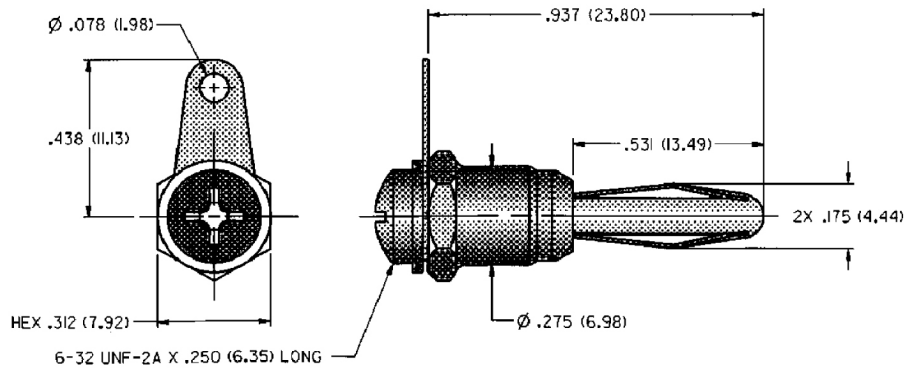
Panel Thickness: Up to .125 (3.20)

Hardware: Nickel plated screw,
stamped tin plated solder
terminal (unassembled)

RATINGS

Current: 15 amps

Contact Resistance: 0.010 ohms maximum



NICKEL PLATING

108-0753-001

For Standard Banana Jack: $.166$ (4.23) Diameter

FEATURES:

- Rugged screw type
- Stamped tin plated solder terminal with hole for up to 14 gauge wire