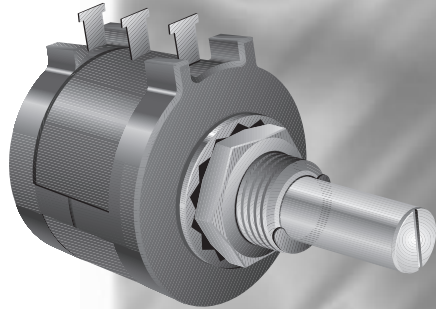


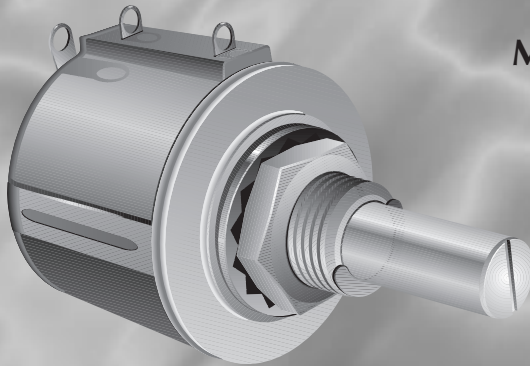
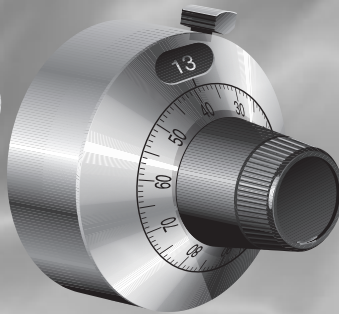
P E R F E C T

O  
U  
P  
L  
E  
S



Model 3590

Model H-22



Model 3540

Model H-46



# Introducing Two New Turns-Counting Dials



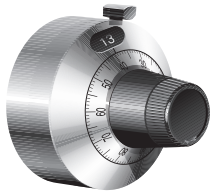
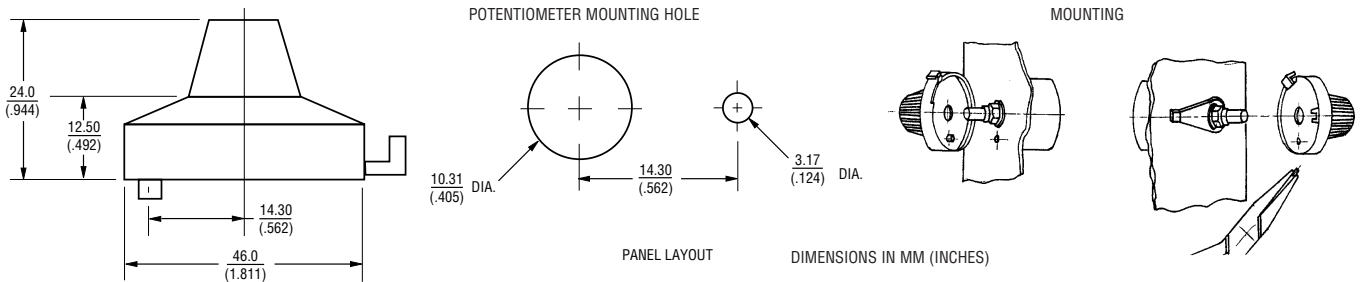
## Model H-46

| Part Number | Accepts Shaft Diameter |
|-------------|------------------------|
| H-46-6A     | 1/4" (6.35mm)          |
| H-46-6M     | 6mm                    |

## Full Metal Precision-Counting Dial

### FEATURES

- Large package size with precision feel
- For use with precision potentiometers or other rotating devices up to 20 turns
- Excellent legibility - black marking on chrome background
- High quality cast and hardchrome housing, rugged construction
- Metal-to-metal setscrew threads
- No backlash - mounted directly to potentiometer shaft
- High force "CLICK-BRAKE"
- Two anti-rotation mounting systems with lug or nut



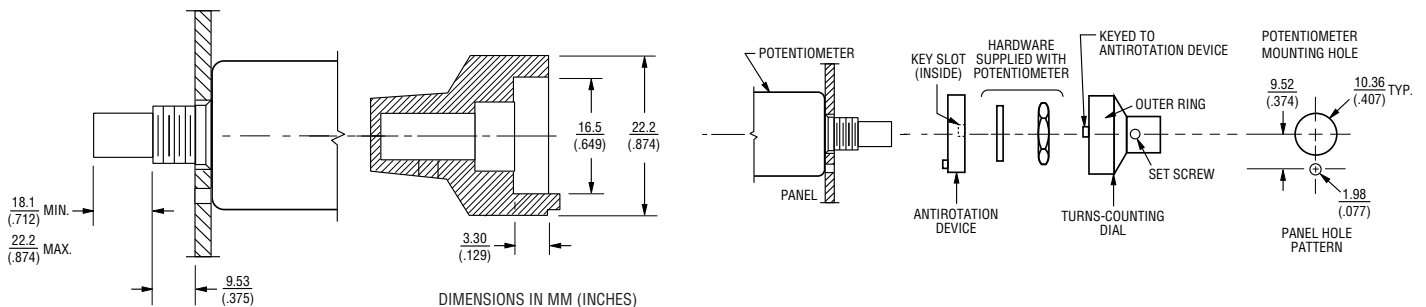
## Model H-22

| Part Number            | Accepts Shaft Diameter |
|------------------------|------------------------|
| H-22-6A                | 1/4" (6.35mm)          |
| H-22-6M                | 6mm                    |
| H-22-3A                | 1/8" (3.17mm)          |
| H-22-6A-B<br>All Black | 1/4" (6.35mm)          |

## Full Metal Precision-Counting Dial







### FEATURES

- Compact - requires only 7/8" (22.2mm) diameter panel space
- For use with precision potentiometers or other rotating devices up to 15 turns
- Excellent legibility - back marking on chrome background
- High quality cast and hardchrome housing, rugged construction
- Metal-to-metal setscrew threads
- No backlash - mounted directly to potentiometer shaft
- High force "CLICK-BRAKE"



Specifications are subject to change without notice.

# Turns-Counting Dials Guide

|                                 |  |      |  |  |  |    |
|---------------------------------|---|---|---|--|---|---|
| Specifications                  | H-46  | H-22  | H-506   | CT-23  | CT-26   | H-490   |
| Turns                           | 0-20  | 0-15  | 0-15  | 0-10   | 0-10  | 0-30  |
| Readout                         | Analog  | Analog  | Analog  | Digital  | Digital   | Analog  |
| Divisions/Turn                  | 100   | 50  | 50  | 500  | 500   | 100   |
| Brake                           | Yes   | Yes   | Yes   | Yes  | Yes   | Yes   |
| Diameter                        | 46mm  | 22mm  | 22mm  | 27mm   | 28mm  | 25mm  |
| Depth                           | 25mm  | 24mm  | 25mm  | 31.5mm   | 31.5mm  | 23.1mm  |
| Weight in Grams                 | 73  | 15  | 7   | 34   | 34  | 7   |
| Part Numbers/<br>Shaft Diameter | H-46-6A<br>1/4"<br><br>H-46-6A<br>6mm   | H-22-6A<br>1/4"<br><br>H-22-6A-B<br>1/4"<br><br>H-22-6M<br>6mm<br><br>H-22-3A<br>1/8" | H-506-1/4<br>1/4"   | CT-23-6A<br>1/4"<br><br>CT-23-6M<br>6mm  | CT-26-6A<br>1/4"<br><br>CT-26-6M<br>6mm   | H-493-2<br>3.18mm<br><br>H-494-2<br>3.18mm<br><br>H-491-3<br>6.35mm<br><br>H-492-3<br>6.35mm<br><br>H-493-3<br>6.35mm<br><br>H-494-3<br>6.35mm<br><br>H-492-2<br>3.18mm |

For detailed specifications, reference the Bourns Product Catalog or [www.bourns.com](http://www.bourns.com)

## Precision Potentiometers

|       |   |   |   |   |   |   |
|-------|---|---|---|---|---|---|
| 3540S | X | X | X | X | X | X |
| 3541H | X | X | X | X | X | X |
| 3543H | X | X | X | X | X | X |
| 3545S | X | X | X | X | X | X |
| 3590S | X | X | X | X | X | X |



Specifications are subject to change without notice.

## Worldwide Sales Offices

| Country                 | Phone               | Fax                 |
|-------------------------|---------------------|---------------------|
| <b>Benelux:</b>         | +31- 703004333      | +31- 703004345      |
| <b>China/Hong Kong:</b> | +86- (0)21 64821250 | +86- (0)21 64821249 |
| <b>France:</b>          | +33- (0)2 54735151  | +33- (0)2 54735156  |
| <b>Germany:</b>         | +49- (0)69 80078212 | +49- (0)69 80078299 |
| <b>Ireland:</b>         | +44- (0)1276 691087 | +44- (0)1276 691088 |
| <b>Italy:</b>           | +39- (0)2 57502103  | +39- (0)2 57502138  |
| <b>Japan:</b>           | +81- (0)3 39803313  | +81- (0)3 39803329  |
| <b>Singapore:</b>       | +65- 3461933        | +65- 3461911        |
| <b>South Africa:</b>    | +27- (0)11 802 1400 | +27- (0)11 802 1429 |
| <b>Switzerland:</b>     | +41- (0)41 7685555  | +41- (0)41 7685510  |
| <b>Taiwan:</b>          | +886- (0)2 25624117 | +886- (0)2 25624116 |
| <b>UK:</b>              | +44- (0)1276 691087 | +44- (0)1276 691088 |
| <b>USA:</b>             | +1- (1)909 781 5500 | +1- (1)909 781 5006 |

## Non-Listed European Countries:

+41- 41 7685555      +41- 41 7685510

## Technical Assistance

| Region                | Phone               | Fax                 |
|-----------------------|---------------------|---------------------|
| <b>Asia-Pacific</b>   | +886- (0)2 25624117 | +886- (0)2 25624116 |
| <b>Europe:</b>        | +41- 41 7685555     | +41- 41 7685510     |
| <b>North America:</b> | +1- (1)909 781-5500 | +1- (1)909 781-5700 |
|                       | +1- (1)801 786-6200 | +1- (1)801 786-6203 |
|                       | +1- (1)435 750-7200 | +1- (1)435 750-7253 |

[www.bourns.com](http://www.bourns.com)

Bourns® products are available through an extensive network of manufacturer's representatives, agents and distributors. To obtain technical applications assistance, a quotation, or to place an order, contact a Bourns representative in your area.

